



HECTOR FINCH

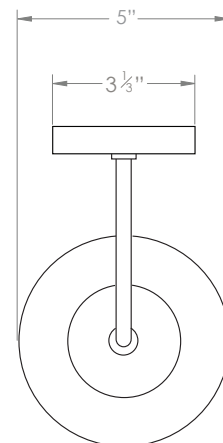
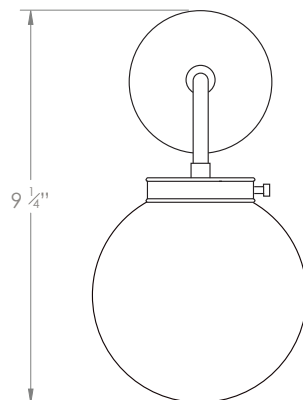
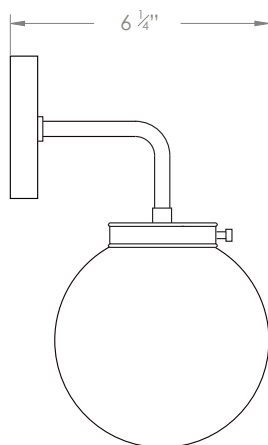
HECTOR MINI GLOBE WALL LIGHT OPAL GLASS



PRODUCT CODE WL425

CATEGORY: WALL LIGHTS

DIMENSIONS





PRODUCT CODE WL425

CATEGORY: WALL LIGHTS

HECTOR MINI GLOBE WALL LIGHT OPAL GLASS

LAMP TYPE

USA

1 x Osh Lamp with 33W (Max) G9 halogen

FINISH OPTIONS

Brass Polished Lacquered (shown), Brass Polished Unlacquered, Antique Brass, Bronze, Chrome, Nickel Polished and Nickel Matte.

SIZE & SIMILAR OPTIONS

Hector Mini Globe Wall Light Clear Glass (WL424), Hector Mini Globe Wall Light Seeded Glass (WL426), Hector Mini Globe Pendant Clear Glass (PL142) and Hector Mini Globe Pendant Opal Glass (PL143).

WEIGHT

1lb 5oz

**CLEANING AND
MAINTENANCE
INSTRUCTIONS**

Metalwork:

We recommend a light polish with a non-abrasive lint free cloth. Do not use any metal cleaning products on the fixture as it can remove the finish entirely. Unlacquered brass finish will patinate slowly over time and can be brightened to brass by the use of a brass cleaning agent.

Glass:

Remove the glass where it is safe to do so. The glass then can be cleaned with a glass cleaner and a lint free cloth. Do not spray glass cleaner directly on the glass or fixture as it could affect the metal finish. Ensure the light is switched off and take care not to pull the flex or allow water to come into contact with the electrical components. Regular dusting with a feather duster will also help keep the glass clean.