



HECTOR FINCH

SIR JOHN SOANE LANTERN WITH ROOF ON HOOP BRACKET SMALL

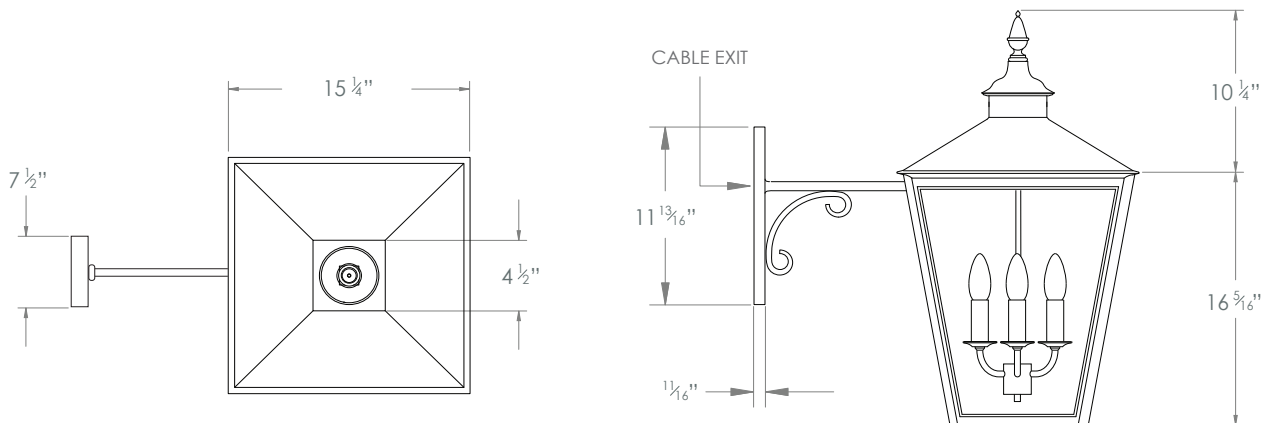


*Pictured in the Large size.

PRODUCT CODE WL460S

CATEGORY: WALL LANTERNS

DIMENSIONS





HECTOR FINCH

PRODUCT CODE WL460S

CATEGORY: WALL LANTERNS

SIR JOHN SOANE LANTERN WITH ROOF ON HOOP BRACKET SMALL

LAMP TYPE

USA

3 x 40W (Max) E12 Candelabra

FINISH OPTIONS

Antique Brass, Bronze and Zinc (shown).

SIZE & SIMILAR OPTIONS

Sir John Soane Hanging Lantern With Roof on Hoop Bracket Large (WL460), Sir John Soane Wall Lantern (WL275) and Sir John Soane hanging Lantern (LA92).

CLEANING AND MAINTENANCE INSTRUCTIONS

Glass:

Remove the glass where it is safe to do so. The glass then can be cleaned with a glass cleaner and a lint free cloth. Do not spray glass cleaner directly on the glass or fixture as it could affect the metal finish. Ensure the light is switched off and take care not to pull the flex or allow water to come into contact with the electrical components. Regular dusting with a feather duster will also help keep the glass clean.

Metalwork:

We recommend a light polish with a non-abrasive lint free cloth. Do not use any metal cleaning products on the fixture as it can remove the finish entirely. Unlacquered brass finish will patinate slowly over time and can be brightened to brass by the use of a brass cleaning agent.