



HECTOR FINCH

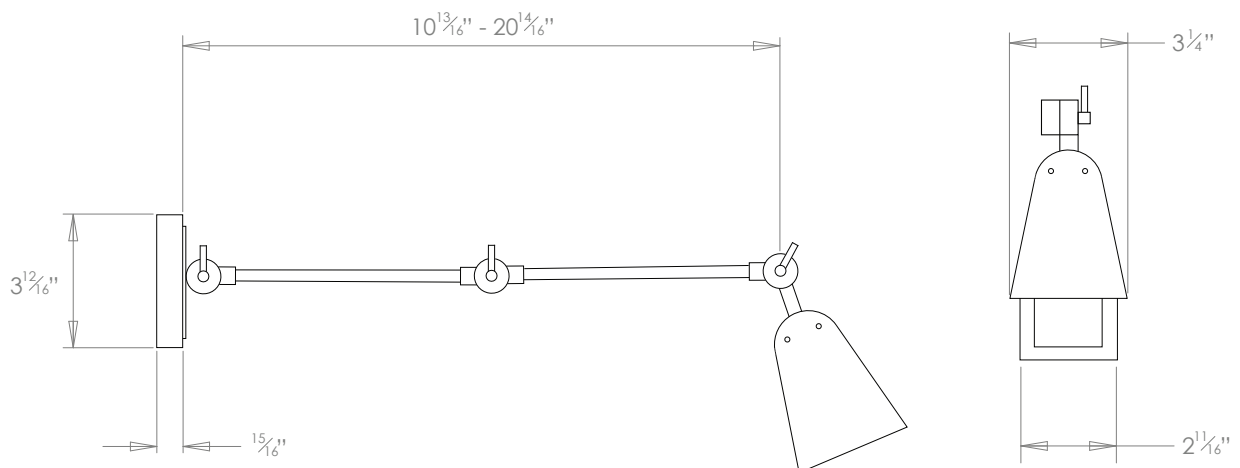
DIDO DOUBLE ARM WALL LIGHT WITH SWITCH



PRODUCT CODE WL461SW

CATEGORY: WALL LIGHTS

DIMENSIONS





HECTOR FINCH

PRODUCT CODE WL461SW

CATEGORY: WALL LIGHTS

DIDO DOUBLE ARM WALL LIGHT WITH SWITCH

LAMP TYPE	USA 1 x 5W (Max) GU10 LED
FINISH OPTIONS	Brass Polished Lacquered, Brass Polished Unlacquered, Antique Brass, Bronze (shown), Chrome, Nickel Polished and Nickel Matte.
SIZE & SIMILAR OPTIONS	Dido Single Arm (WL462), Zac Spot Light (WL421), Zac Library Light (WL455) and Max Library Light (WL456).
WEIGHT	1lb 16oz
ADDITIONAL INFORMATION	Supplied with a GU10 LED bulb, 5W, 2700k Warm White. Dimmable GU10 bulbs can be sourced online or at a local hardware store.
CLEANING AND MAINTENANCE INSTRUCTIONS	Metalwork: We recommend a light polish with a non-abrasive lint free cloth. Do not use any metal cleaning products on the fixture as it can remove the finish entirely. Unlacquered brass finish will patinate slowly over time and can be brightened to brass by the use of a brass cleaning agent.