



HECTOR FINCH

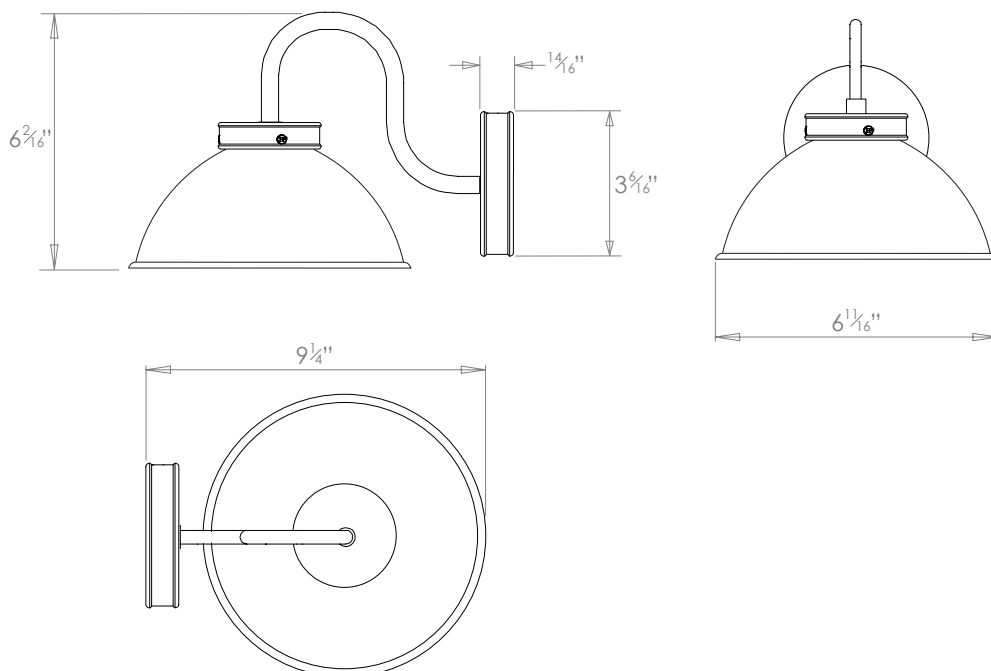
TIBER WALL LIGHT SWAN ARM MINI



PRODUCT CODE WL464

CATEGORY: WALL LIGHTS

DIMENSIONS








PRODUCT CODE WL464

CATEGORY: WALL LIGHTS

TIBER WALL LIGHT SWAN ARM MINI

LAMP TYPE	USA 1 x 40W (Max) E12 Crown Silver Golfball
FINISH OPTIONS	Brass Polished Lacquered, Brass Polished Unlacquered, Antique Brass, Bronze (shown), Chrome, Nickel Polished and Nickel Matte.
COLOUR OPTIONS	<div style="display: flex; justify-content: space-around; align-items: center;"><div style="text-align: center;"><p>Grey</p></div><div style="text-align: center;"><p>Green</p></div></div> <p>* Shades can be custom painted with colours from the RAL chart available on request.</p>
SIZE & SIMILAR OPTIONS	Tiber Pendant (PL134), Tiber Pendant With Gold Interior (PL135), Tiber Wall Light (WL72), Tiber Wall Light Double (WL14), Tiber Flush Wall Mounted (WL423), Tiber Flush Ceiling Mounted (CL25), Mini Tiber Flush Mount (CL30), Mini Tiber Wall Light (WL17), Double Tiber Pendant on a Rod (PL405), Triple Tiber Pendant on a Rod (PL428).
WEIGHT	2lb 3oz
ACCREDITATION	This product is UL certificated. 
CLEANING AND MAINTENANCE INSTRUCTIONS	Metalwork: We recommend a light polish with a non-abrasive lint free cloth. Do not use any metal cleaning products on the fixture as it can remove the finish entirely. Unlacquered brass finish will patinate slowly over time and can be brightened to brass by the use of a brass cleaning agent.