



HECTOR FINCH

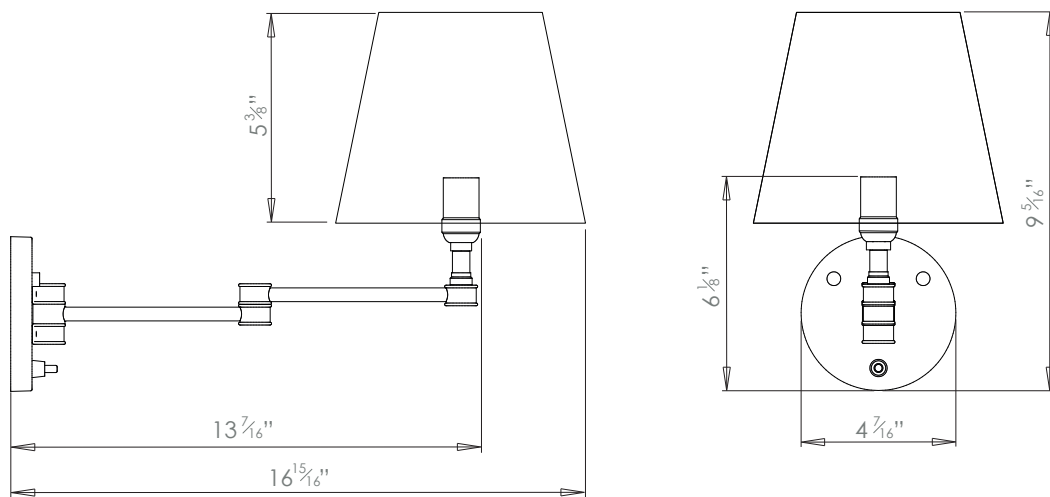
VICTORIA SWING ARM WALL LIGHT, DOUBLE ARM



PRODUCT CODE WL467

CATEGORY: WALL LIGHTS

DIMENSIONS





HECTOR FINCH

PRODUCT CODE WL467

CATEGORY: WALL LIGHTS

VICTORIA SWING ARM WALL LIGHT, DOUBLE ARM

LAMP TYPE

USA

1 x 60W (Max) E12 Candelabra

SHADE OPTIONS

Shade 5, Round (6" base X 4" top X 5½" height).

FINISH OPTIONS

Brass Polished Lacquered, Brass Polished Unlacquered, Antique Brass (shown), Bronze, Chrome, Nickel Polished and Nickel Matte.

CLEANING AND MAINTENANCE INSTRUCTIONS

Metalwork:

We recommend a light polish with a non-abrasive lint free cloth. Do not use any metal cleaning products on the fixture as it can remove the finish entirely. Unlacquered brass finish will patinate slowly over time and can be brightened to brass by the use of a brass cleaning agent.

Fabric Shades:

Wipe gently with a dry cloth or dust lightly with a feather duster. Repeat regularly to prevent the build up of dust. Regular cleaning will prevent the possibility of dust becoming ingrained. Do not let water or moisture come into contact with the shade.