



HECTOR FINCH

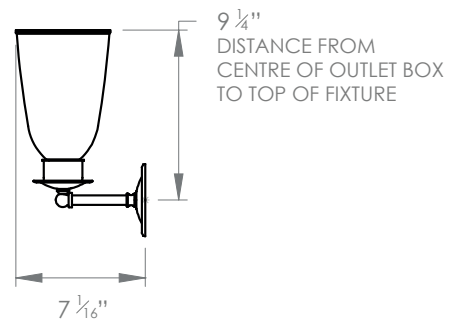
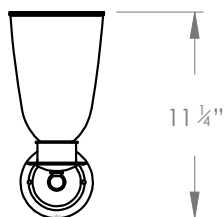
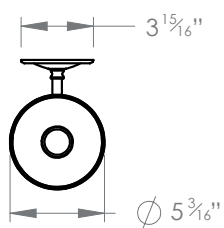
TERRY WALL LIGHT



PRODUCT CODE WL56

CATEGORY: WALL LIGHTS

DIMENSIONS





PRODUCT CODE WL56

CATEGORY: WALL LIGHTS

TERRY WALL LIGHT

LAMP TYPE

USA

1 x 60W (Max) E12 Candelabra

FINISH OPTIONS

Brass Polished Lacquered, Brass Polished Unlacquered, Antique Brass, Bronze (shown), Chrome, Nickel Polished and Nickel Matte.

SIZE & SIMILAR OPTIONS

Albert Wall Light (WL42), Albert Wall Light Double (WL79), Glass Storm Shade Straight Arm (WL16), Glass Storm Shade Swan Arm (WL15) and Glass Storm Shade Double (WL80).

WEIGHT

3lb 15oz

ACCREDITATION

This product is UL certificated.



CLEANING AND MAINTENANCE INSTRUCTIONS

Metalwork:

We recommend a light polish with a non-abrasive lint free cloth. Do not use any metal cleaning products on the fixture as it can remove the finish entirely. Unlacquered brass finish will patinate slowly over time and can be brightened to brass by the use of a brass cleaning agent.

Glass:

Remove the glass where it is safe to do so. The glass then can be cleaned with a glass cleaner and a lint free cloth. Do not spray glass cleaner directly on the glass or fixture as it could affect the metal finish. Ensure the light is switched off and take care not to pull the flex or allow water to come into contact with the electrical components. Regular dusting with a feather duster will also help keep the glass clean.