



HECTOR FINCH

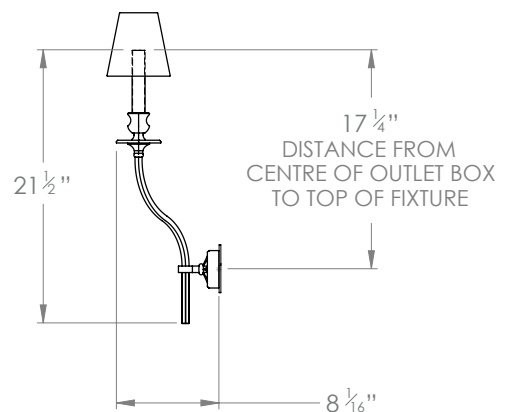
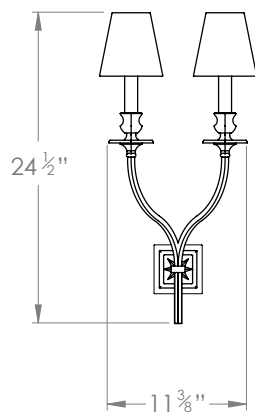
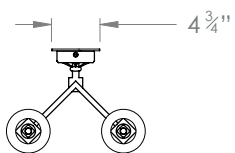
STARBACK WALL LIGHT DOUBLE ARM SMALL



PRODUCT CODE WL59S

CATEGORY: WALL LIGHTS

DIMENSIONS





PRODUCT CODE WL59S

CATEGORY: WALL LIGHTS

STARBACK WALL LIGHT DOUBLE ARM SMALL

LAMP TYPE	USA 2 x 60W (Max) E12 Candelabra
SHADE OPTIONS	USA Shade 3, Round (5" base X 3" top X 5" height). Shade 12, Square (5" base X 3" top X 5" height).
FINISH OPTIONS	Brass Polished Lacquered, Brass Polished Unlacquered, Antique Brass, Bronze, Chrome (shown), Nickel Polished and Nickel Matte.
SIZE & SIMILAR OPTIONS	Starback Wall Light Double Straight Arm Large (WL87), Starback Wall Light Single Straight Arm Large (WL83L), Starback Wall Light Single Arm (WL76), Starback Wall Light Straight Arm Mini (WL83) and Starback Wall Light Omega Arm (WL451).
WEIGHT	4lb 7oz
ACCREDITATION	This product is UL certificated. 
ADDITIONAL INFORMATION	Shade not included.
CLEANING AND MAINTENANCE INSTRUCTIONS	<p>Metalwork: We recommend a light polish with a non-abrasive lint free cloth. Do not use any metal cleaning products on the fixture as it can remove the finish entirely. Unlacquered brass finish will patinate slowly over time and can be brightened to brass by the use of a brass cleaning agent.</p> <p>Fabric Shades: Wipe gently with a dry cloth or dust lightly with a feather duster. Repeat regularly to prevent the build up of dust. Regular cleaning will prevent the possibility of dust becoming ingrained. Do not let water or moisture come into contact with the shade.</p>