



HECTOR FINCH

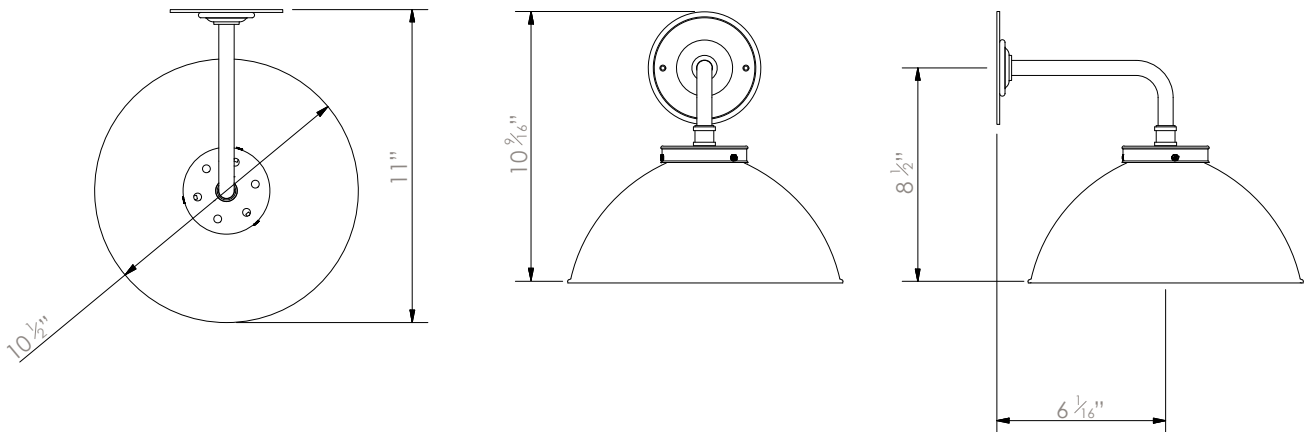
TIBER WALL LIGHT



PRODUCT CODE WL72

CATEGORY: WALL LIGHTS

DIMENSIONS








PRODUCT CODE WL72

CATEGORY: WALL LIGHTS

TIBER WALL LIGHT

LAMP TYPE	USA 1 x 60W (Max) E26 Golfball
FINISH OPTIONS	Brass Polished Lacquered, Brass Polished Unlacquered, Antique Brass, Bronze (shown), Chrome, Nickel Polished and Nickel Matte.
COLOUR OPTIONS	<div style="display: flex; justify-content: space-around; align-items: center;"><div style="text-align: center;"><p>Grey</p></div><div style="text-align: center;"><p>Green</p></div></div> <p>* Shades can be custom painted with colours from the RAL chart available on request.</p>
SIZE & SIMILAR OPTIONS	Tiber Pendant Small (PL134S), Tiber Flush Small Ceiling Mounted (CL25S), and Tiber Flush Large Ceiling Mounted (CL25), Tiber Pendant Large (PL134L), Tiber Pendant Double on Rod (PL405), Tiber Wall Light Double (WL14) and Tiber Flush Wall Mounted (WL423).
WEIGHT	4lb 7oz
ACCREDITATION	This product is UL certificated. 
CLEANING AND MAINTENANCE INSTRUCTIONS	Metalwork: We recommend a light polish with a non-abrasive lint free cloth. Do not use any metal cleaning products on the fixture as it can remove the finish entirely. Unlacquered brass finish will patinate slowly over time and can be brightened to brass by the use of a brass cleaning agent.