



HECTOR FINCH

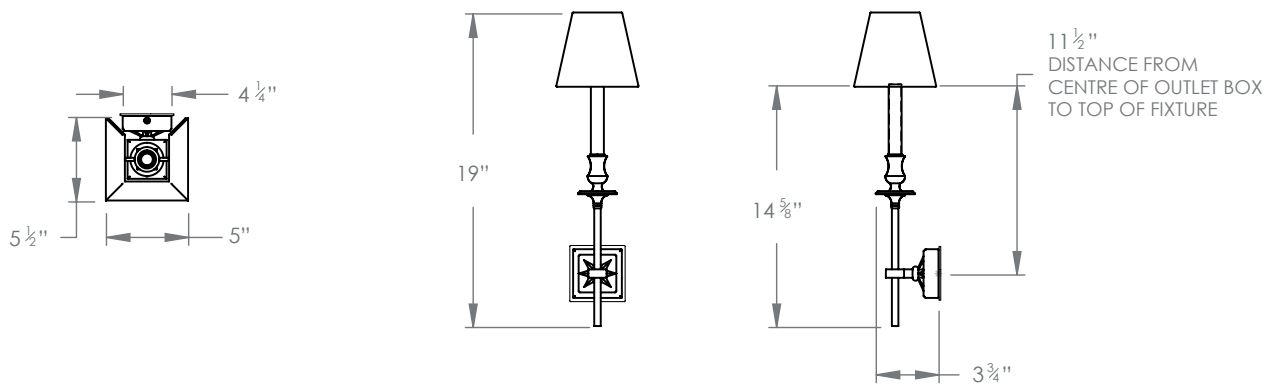
## STARBACK WALL LIGHT STRAIGHT ARM MINI



PRODUCT CODE WL83

CATEGORY: WALL LIGHTS

### DIMENSIONS





PRODUCT CODE WL83

CATEGORY: WALL LIGHTS

---

**STARBACK WALL LIGHT STRAIGHT ARM MINI**

<b>LAMP TYPE</b>	<b>USA</b> 1 x 60W (Max) E12 Candelabra
<b>SHADE OPTIONS</b>	<b>USA</b> Shade 3, Round (5" base X 3" top X 5" height). Shade 9, Round (4" base X 2 1/2" top X 4" height). Shade 10, 3/4 Square (5" base X 3" top X 4 1/2" height).
<b>FINISH OPTIONS</b>	Brass Polished Lacquered, Brass Polished Unlacquered, Antique Brass, Bronze, Chrome (shown), Nickel Polished and Nickel Matte.
<b>SIZE &amp; SIMILAR OPTIONS</b>	Starback Wall Light Double Straight Arm Large (WL87), Starback Wall Light Single Straight Arm Large (WL83L), Starback Wall Light Double Arm (WL59), Starback Wall Light Single Arm (WL76) and Starback Wall Light Omega Arm (WL451).
<b>WEIGHT</b>	2lb 14oz
<b>ACCREDITATION</b>	This product is UL certified. 
<b>ADDITIONAL INFORMATION</b>	Shade not included.
<b>CLEANING AND MAINTENANCE INSTRUCTIONS</b>	<p><b>Metalwork:</b> We recommend a light polish with a non-abrasive lint free cloth. Do not use any metal cleaning products on the fixture as it can remove the finish entirely. Unlacquered brass finish will patinate slowly over time and can be brightened to brass by the use of a brass cleaning agent.</p> <p><b>Fabric Shades:</b> Wipe gently with a dry cloth or dust lightly with a feather duster. Repeat regularly to prevent the build up of dust. Regular cleaning will prevent the possibility of dust becoming ingrained. Do not let water or moisture come into contact with the shade.</p>