



HECTOR FINCH

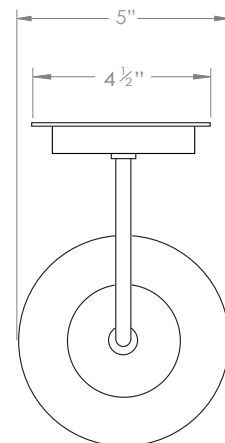
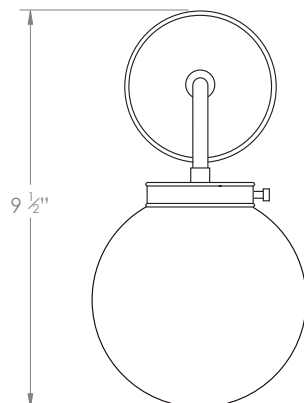
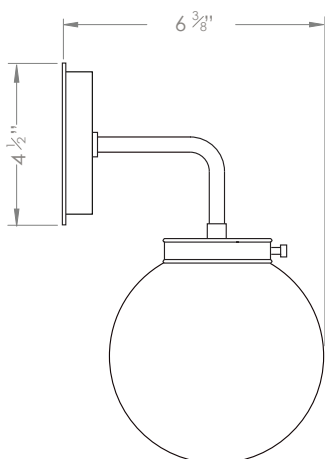
MINI HAMMERED GLOBE WALL LIGHT



PRODUCT CODE WL92S

CATEGORY: WALL LIGHTS

DIMENSIONS





PRODUCT CODE WL92S

CATEGORY: WALL LIGHTS

MINI HAMMERED GLOBE WALL LIGHT

LAMP TYPE

USA

1 x Osh Lamp with 33W (Max) G9 halogen

FINISH OPTIONS

Antique Brass, Brass Polished Lacquered, Brass Polished Unlacquered, Bronze (shown), Chrome, Nickel Polished and Nickel Matte.

SIZE & SIMILAR OPTIONS

Hammered Glass Globe Small (PL22S), Hammered Glass Globe Large (PL22L), and Hammered Globe Wall Light (WL92).

**CLEANING AND
MAINTENANCE
INSTRUCTIONS**

Metalwork:

We recommend a light polish with a non-abrasive lint free cloth. Do not use any metal cleaning products on the fixture as it can remove the finish entirely. Unlacquered brass finish will patinate slowly over time and can be brightened to brass by the use of a brass cleaning agent.

Glass:

Remove the glass where it is safe to do so. The glass then can be cleaned with a glass cleaner and a lint free cloth. Do not spray glass cleaner directly on the glass or fixture as it could affect the metal finish. Ensure the light is switched off and take care not to pull the flex or allow water to come into contact with the electrical components. Regular dusting with a feather duster will also help keep the glass clean.