

# BABY LOCK SERGER ACCESSORIES

## Ruffling Foot

(BL480A-RF)

### Instructions

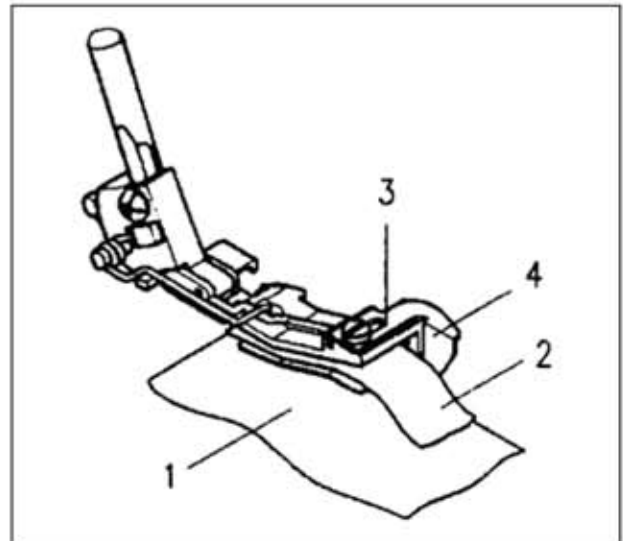
This serger foot is used for joining two pieces of fabric while ruffling the bottom layer in one easy operation.

#### MACHINE SETTINGS:

Stitch type:	4-Thread overlock
Thread tension:	Standard setting
Needle:	One or two needles
Stitch length:	3 to 4
Upper knife:	Engaged
Differential feed:	Set between N and .08
Sewing speed:	Slow to moderate speed

#### INSERTING THE FABRIC:

1. Raise the sewing foot.
2. Set needle at its highest position.
3. Place bottom fabric layer (1) between needle plate and ruffling foot and insert up to upper knife.
4. Place top fabric layer (2) in opening (3) flush with the bottom layer (right side of the fabric to right side of the fabric) and insert up to stop (4).
5. Lower the sewing foot.
6. Make a sewing test.



**baby lock**

**FOR THE LOVE OF SEWING**