

Aventura™ II

Quick Reference Guide

Model BLMAV2



FOR THE LOVE OF SEWING

To register your machine warranty and receive Baby Lock product updates and offers, go to babylock.com/profile. If you have questions with registration, visit your Authorized Baby Lock Retailer.

Baby Lock Consumer Helpline: 800-313-4110

www.babylock.com

Before using your machine for the first time please read the “IMPORTANT SAFETY INSTRUCTIONS” in the Instruction and Reference Guide.

Refer to the instruction and reference guide for detailed instructions.

In this guide, English screens are used for basic explanations.

For details on the built-in embroidery patterns, refer to the Embroidery Design Guide.

Antes de utilizar la máquina por primera vez, lea las “INSTRUCCIONES DE SEGURIDAD IMPORTANTES” en el Manual de instrucciones.

Consulte las instrucciones detalladas en el manual de instrucciones.

En esta guía, para las explicaciones básicas se utilizan pantallas en inglés.

Para más detalles acerca de los patrones de bordado embutidos, consulte la Guía de diseños de bordado.

Avant d'utiliser votre machine pour la première fois, veuillez lire les « INSTRUCTIONS DE SÉCURITÉ IMPORTANTES » indiquées dans le manuel d'instructions.

Reportez-vous au manuel d'instructions pour des informations détaillées.

Les écrans de ce guide sont en anglais pour les explications de base.

Pour plus de détails sur les motifs de broderie intégrés, consultez le guide de motifs de broderie.

Contents

Bobbin Winding and Setting	2
Upper Threading	4
Selecting and Sewing Patterns	6
◆ Utility Stitches	6
◆ Decorative Stitches	7
◆ Character stitches	7
Summary of Stitch Patterns.....	8
◆ Utility Stitches	8
◆ Decorative Stitches.....	9
◆ Character stitches	10
Preparing to Embroider	16
Selecting Embroidery Patterns	18

Contenido

Bobinado y ajuste	2
Hilo superior	4
Seleccionar y coser patrones	6
◆ Puntadas utiles	6
◆ Puntadas decorativas	7
◆ Puntadas de carácter	7
Resumen de tipos de puntada	8
◆ Puntadas utiles	8
◆ Puntadas decorativas	9
◆ Puntadas de carácter	10
Preparativos para bordar	16
Seleccionar patrones de bordado	18

Table des matières

Bobinage et réglage de la canette	2
Enfilage supérieur	4
Sélection et couture de motifs	6
◆ Points utilitaires	6
◆ Points décoratifs	7
◆ Points de caractères	7
Sommaire des motifs de point.....	8
◆ Points utilitaires	8
◆ Points décoratifs	9
◆ Points de caractères	10
Préparation de la broderie	16
Sélection des motifs de broderie.....	18



Bobbin Winding and Setting

Bobinado y ajuste

Bobinage et réglage de la canette

Follow the steps below in numerical order. Refer to the instruction and reference guide for detailed instructions.

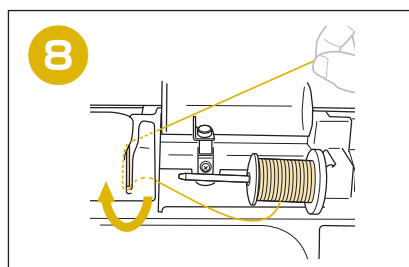
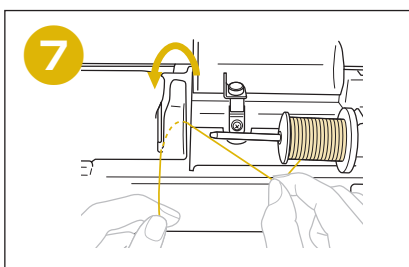
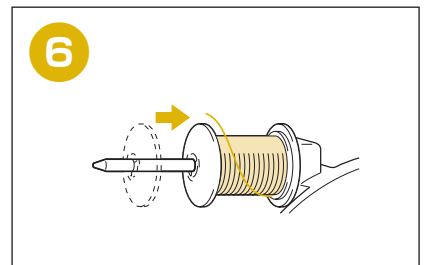
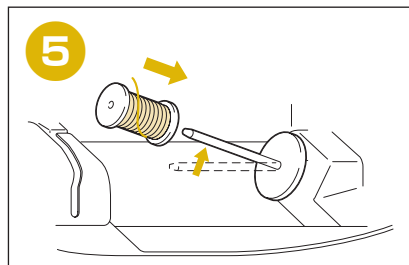
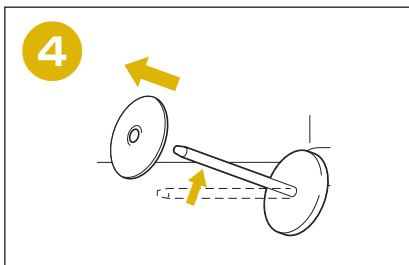
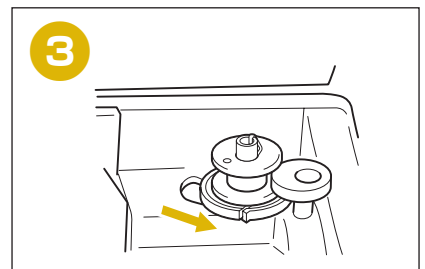
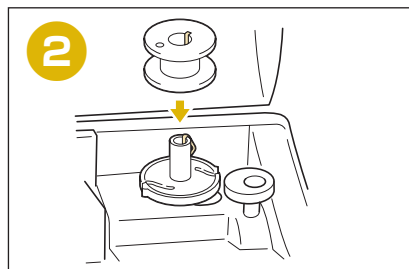
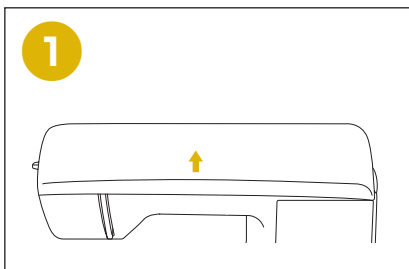
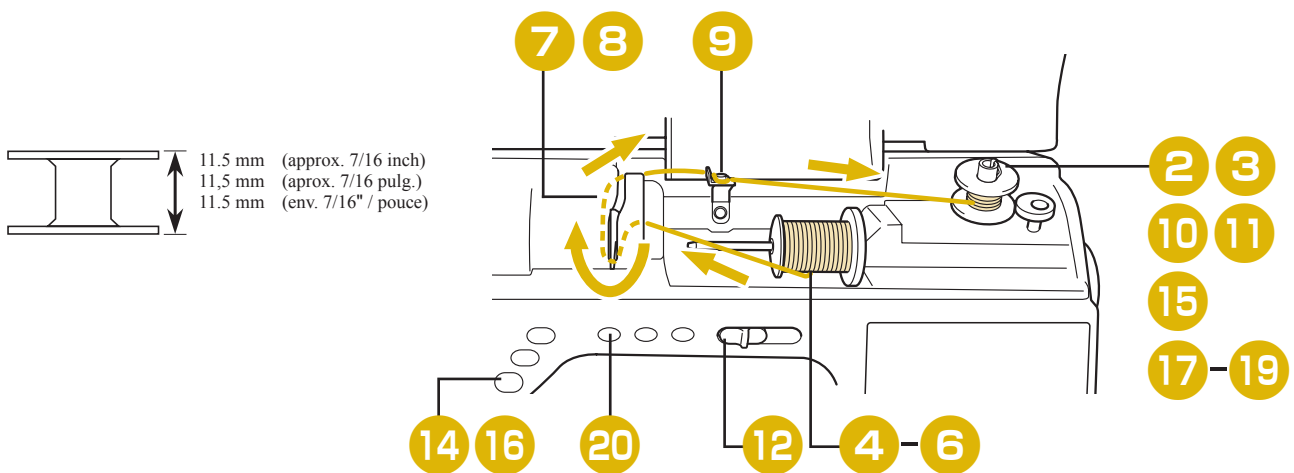
Siga los pasos descritos a continuación, en orden numérico. Consulte las instrucciones detalladas en la guía de referencia y de instrucciones.

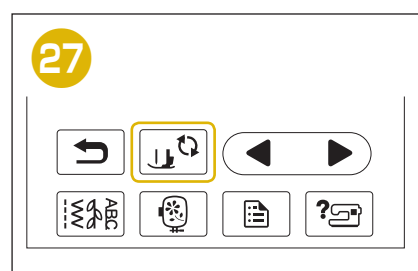
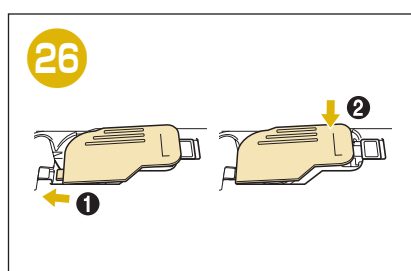
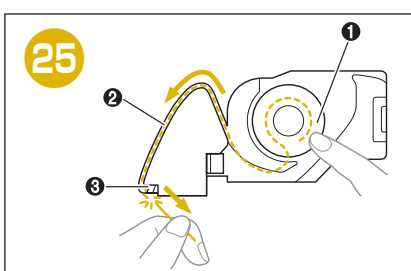
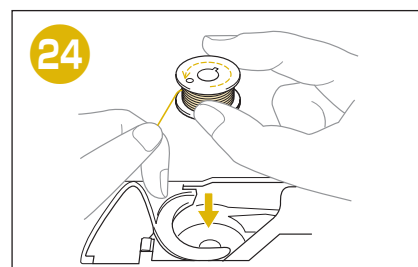
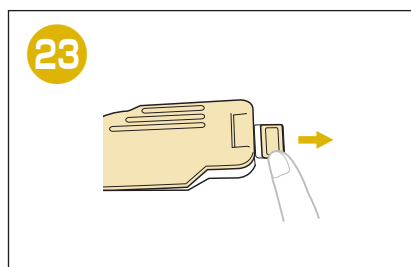
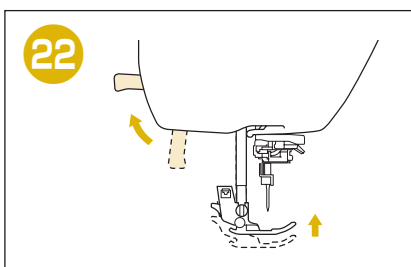
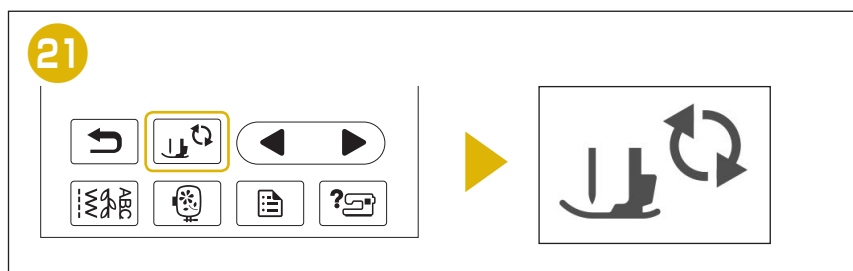
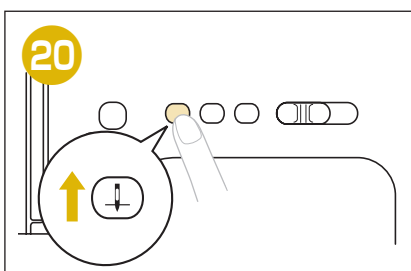
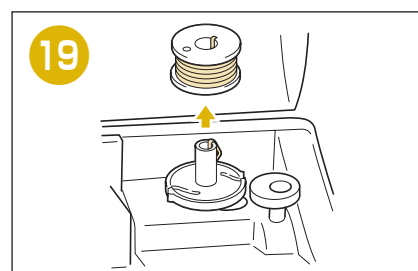
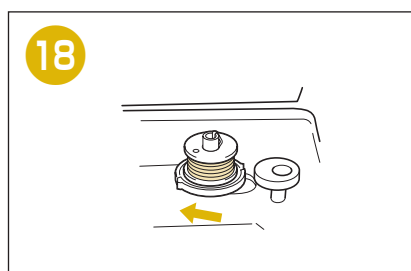
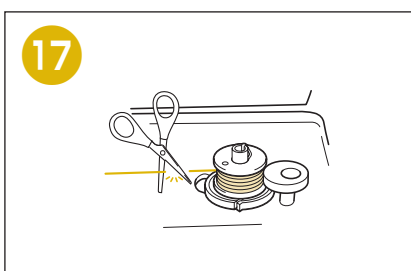
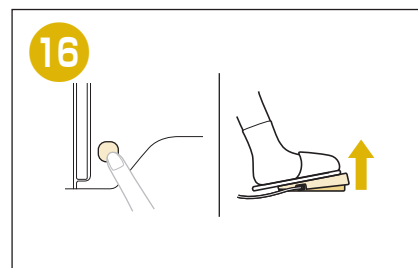
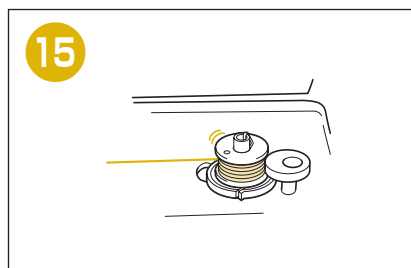
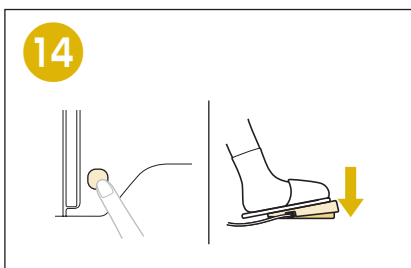
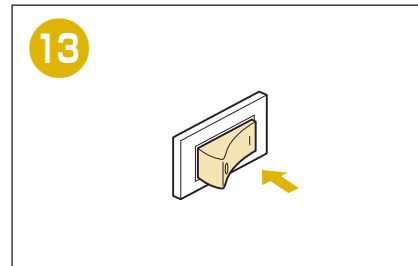
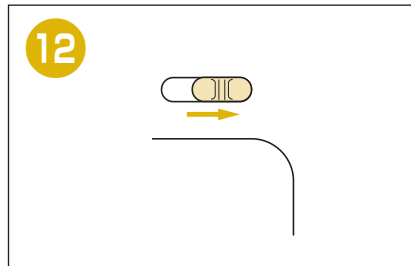
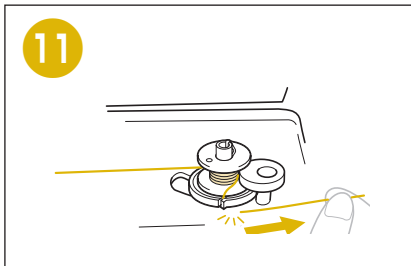
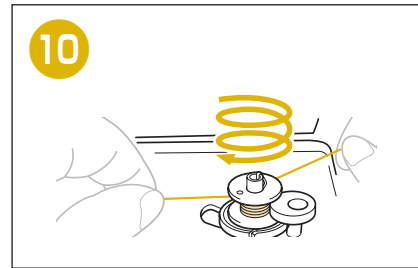
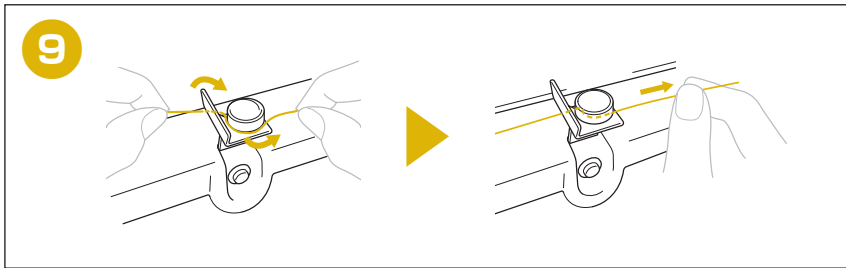
Respectez les étapes ci-dessous, dans l'ordre numérique. Reportez-vous au guide d'instructions et de référence pour des informations détaillées.

Use only the included bobbin or bobbins of the same type.

Utilice solo la bobina incluida, o bobinas del mismo tipo.

N'utilisez que la canette fournie ou des canettes du même type.

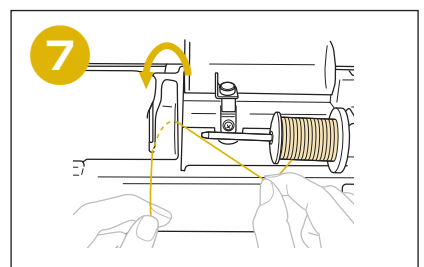
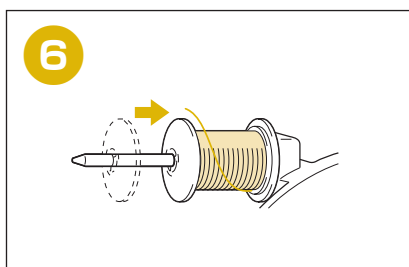
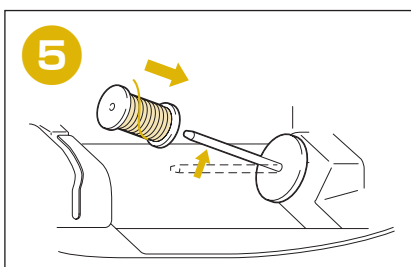
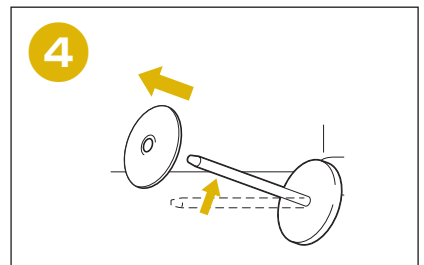
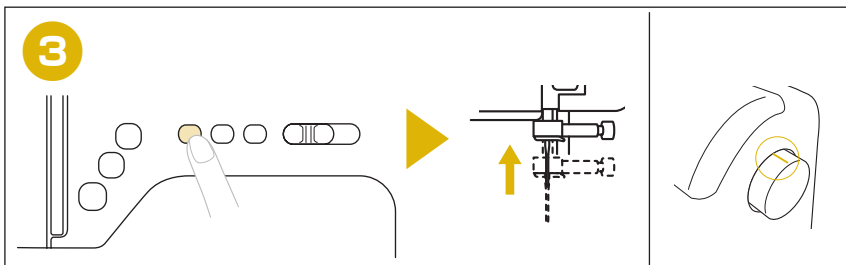
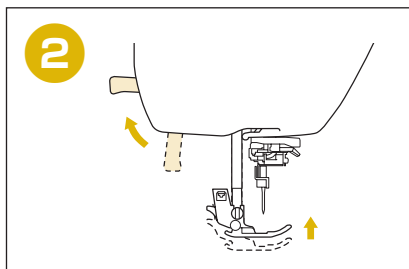
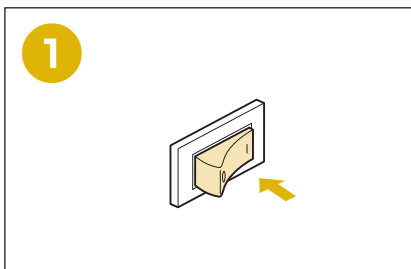
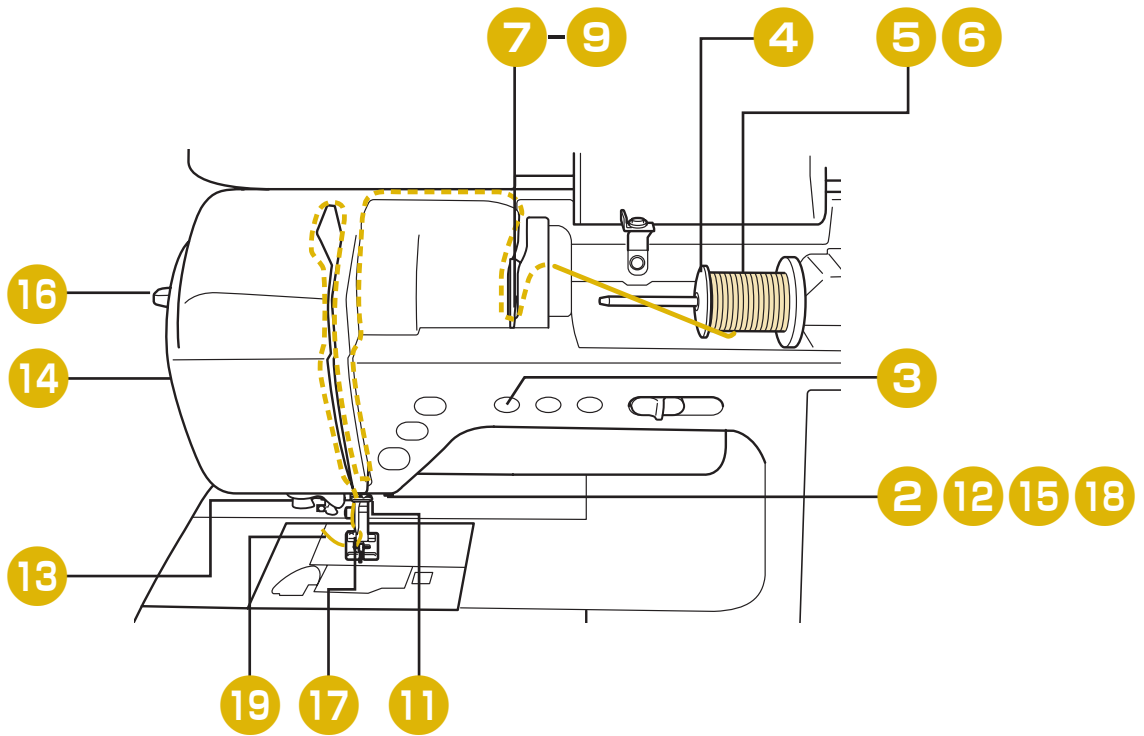


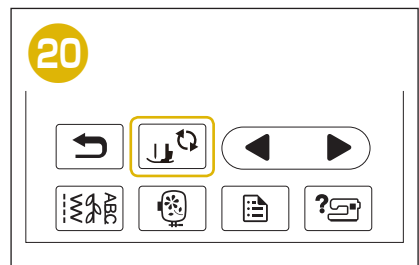
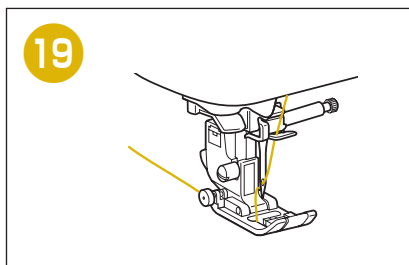
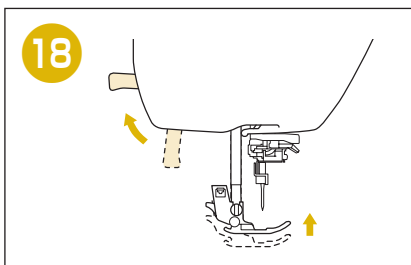
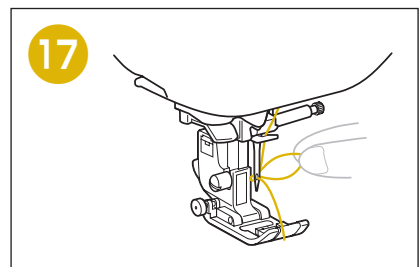
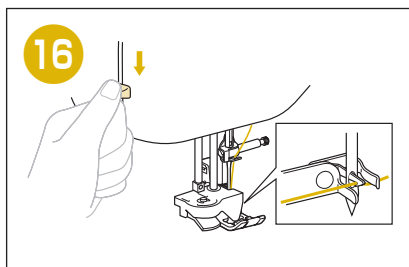
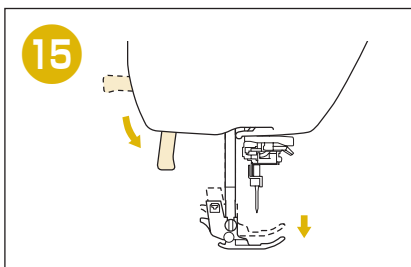
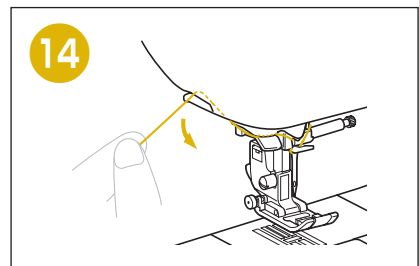
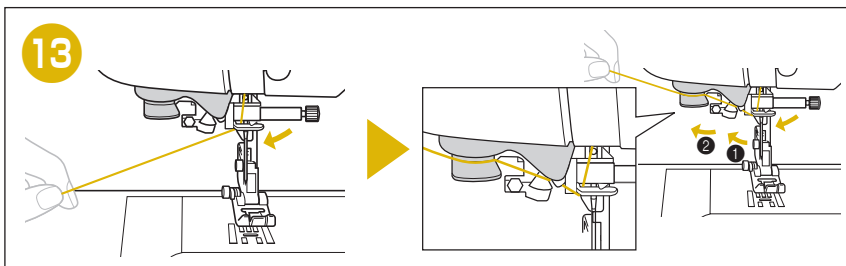
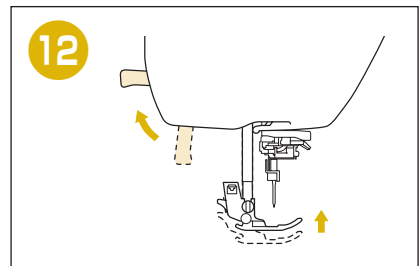
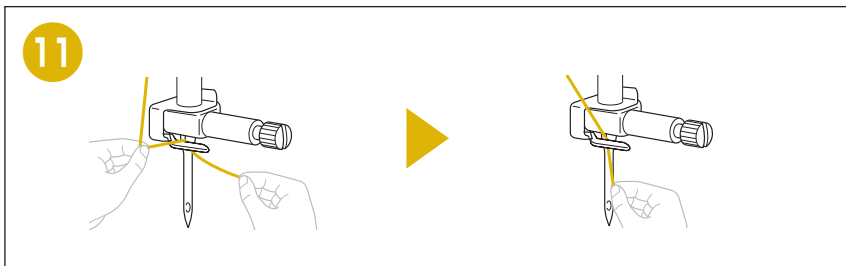
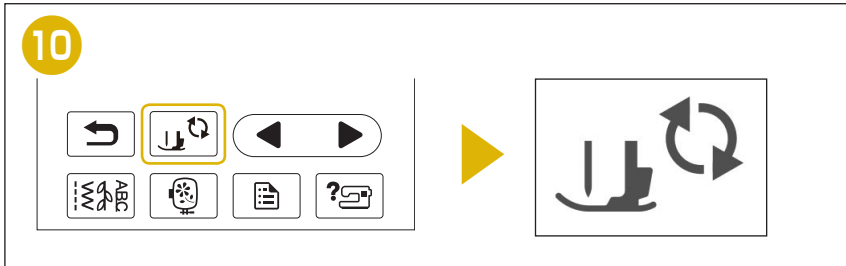
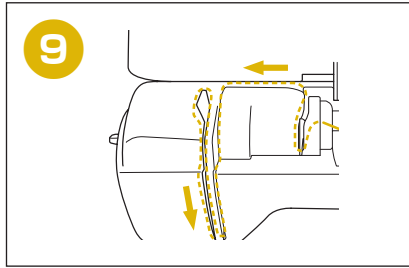
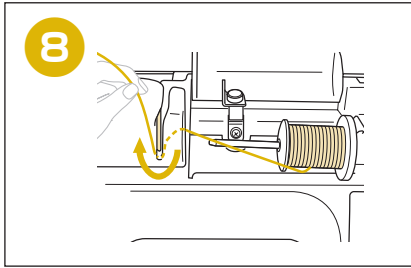




Upper Threading

Hilo superior
Enfilage supérieur





Selecting and Sewing Patterns

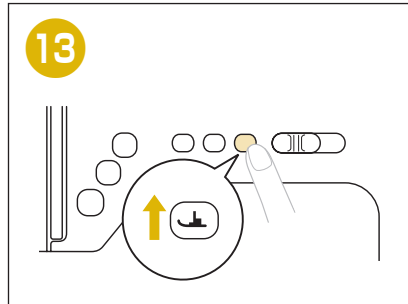
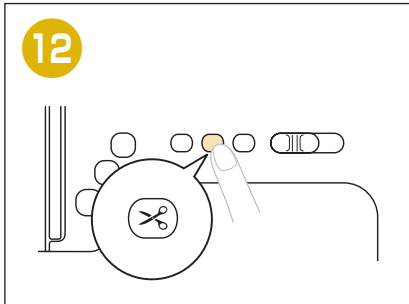
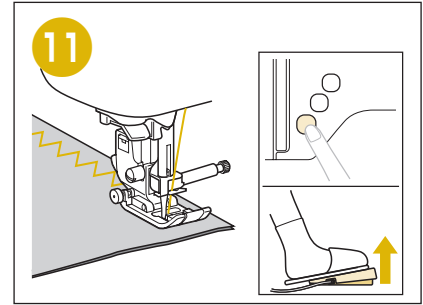
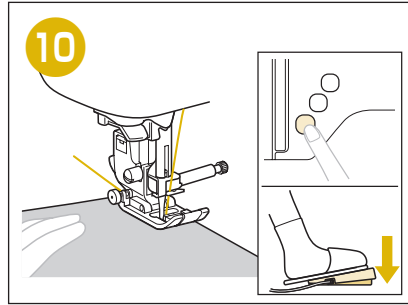
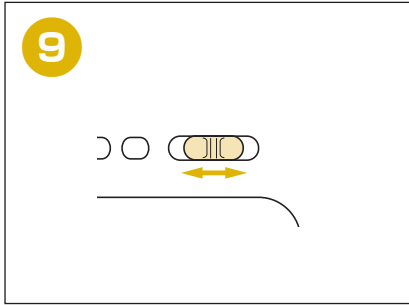
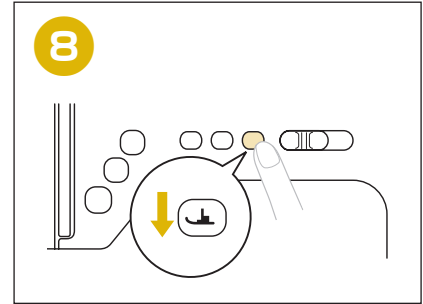
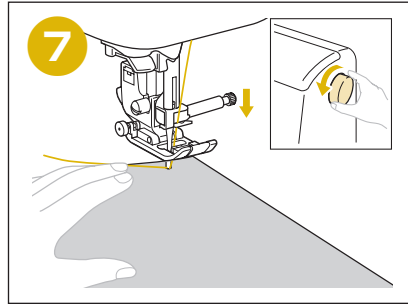
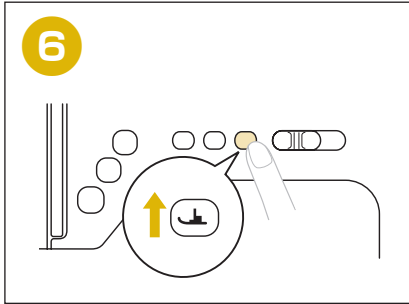
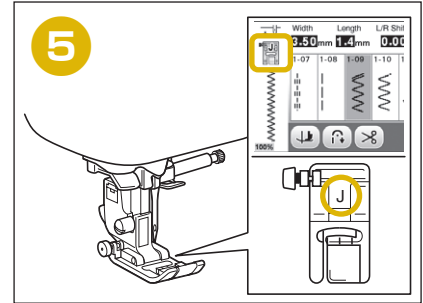
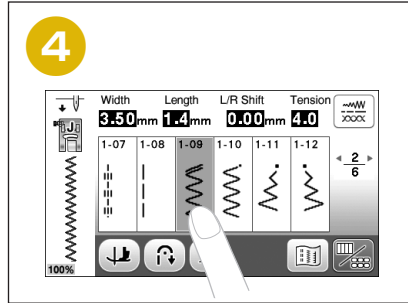
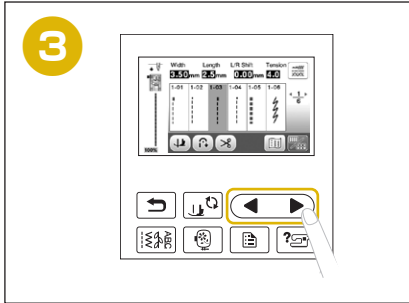
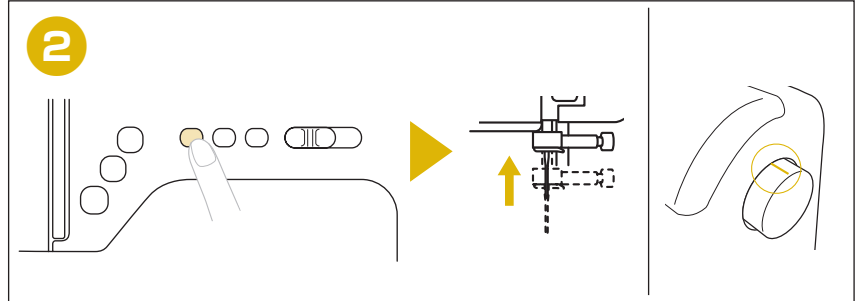
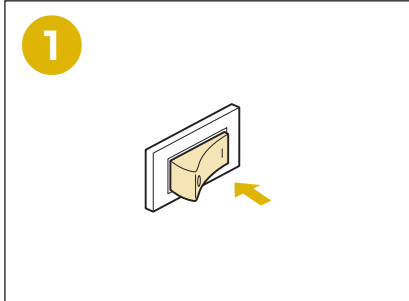
Seleccionar y coser patrones

Sélection et couture de motifs

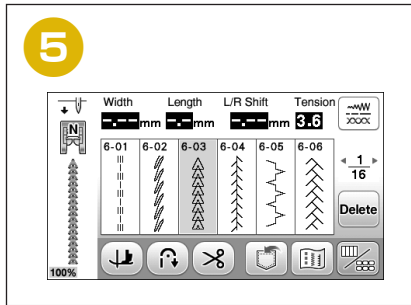
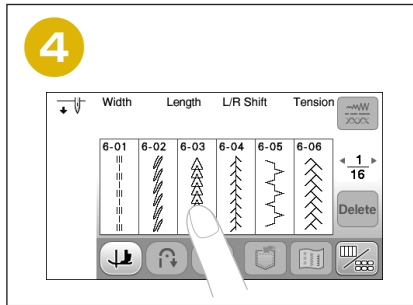
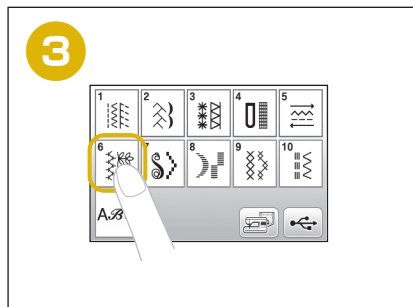
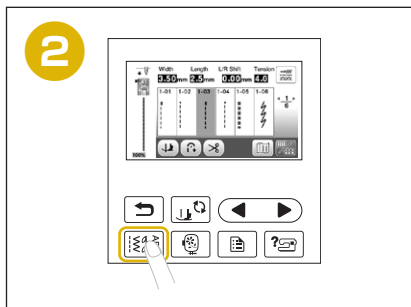
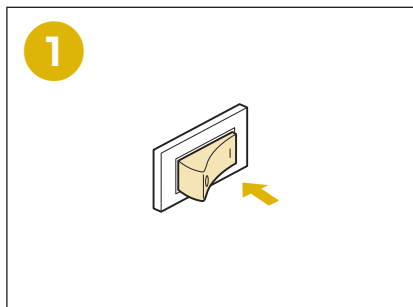
◆ Utility Stitches

◆ Puntadas utiles

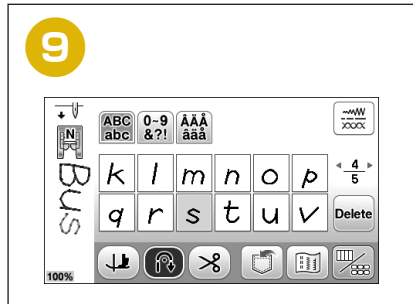
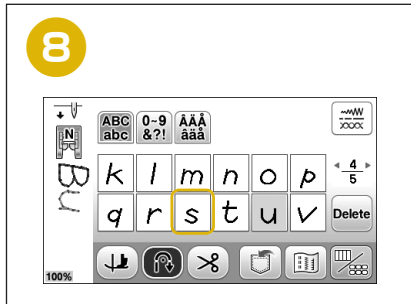
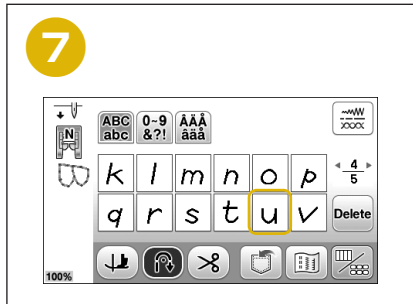
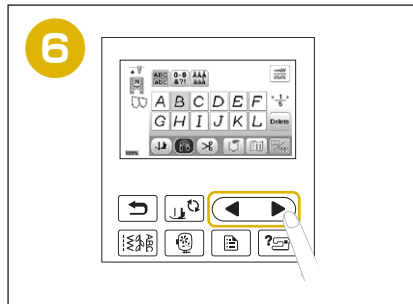
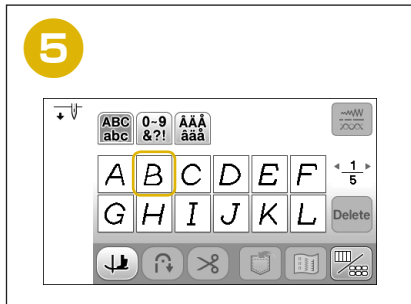
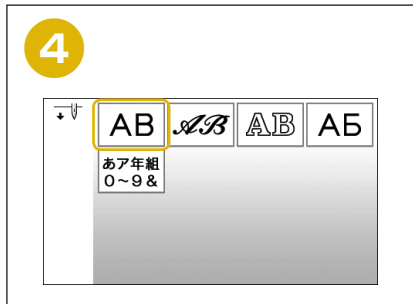
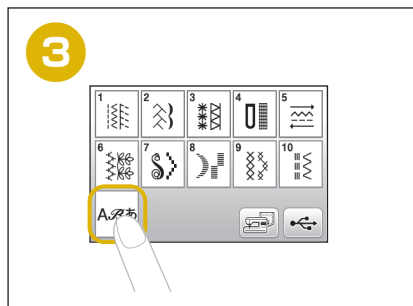
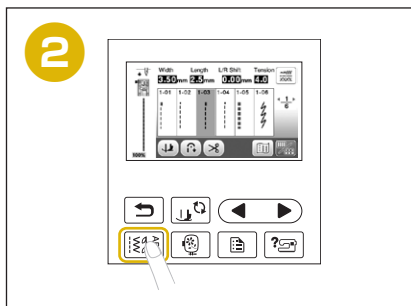
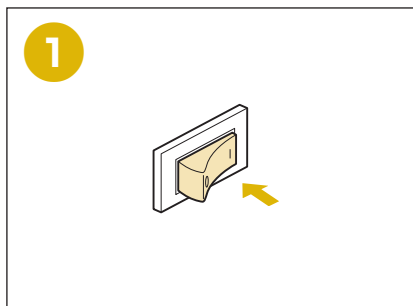
◆ Points utilitaires



◆ Decorative Stitches ◆ Puntadas decorativas ◆ Points décoratifs



◆ Character Stitches ◆ Puntadas de carácter ◆ Points de caractères

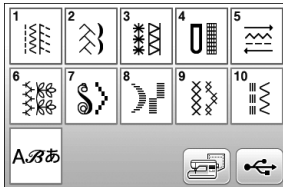




Summary of Stitch Patterns

Resumen de tipos de puntada

Sommaire des motifs de point

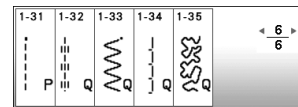
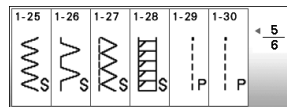
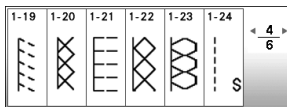
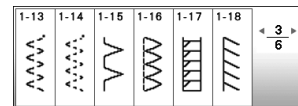
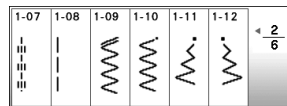
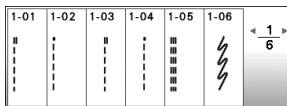


◆ Utility Stitches

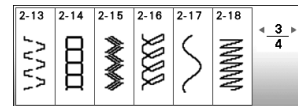
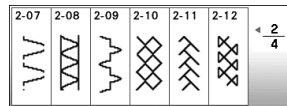
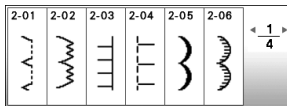
◆ Puntadas utiles

◆ Points utilitaires

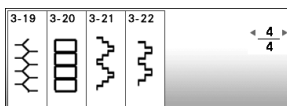
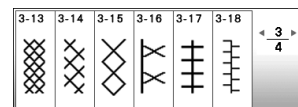
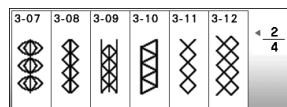
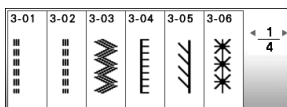
• 1-01~1-35



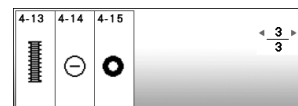
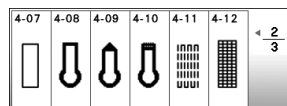
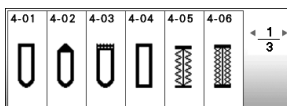
• 2-01~2-20



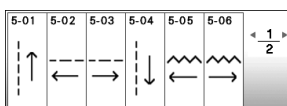
• 3-01~3-22



• 4-01~4-15

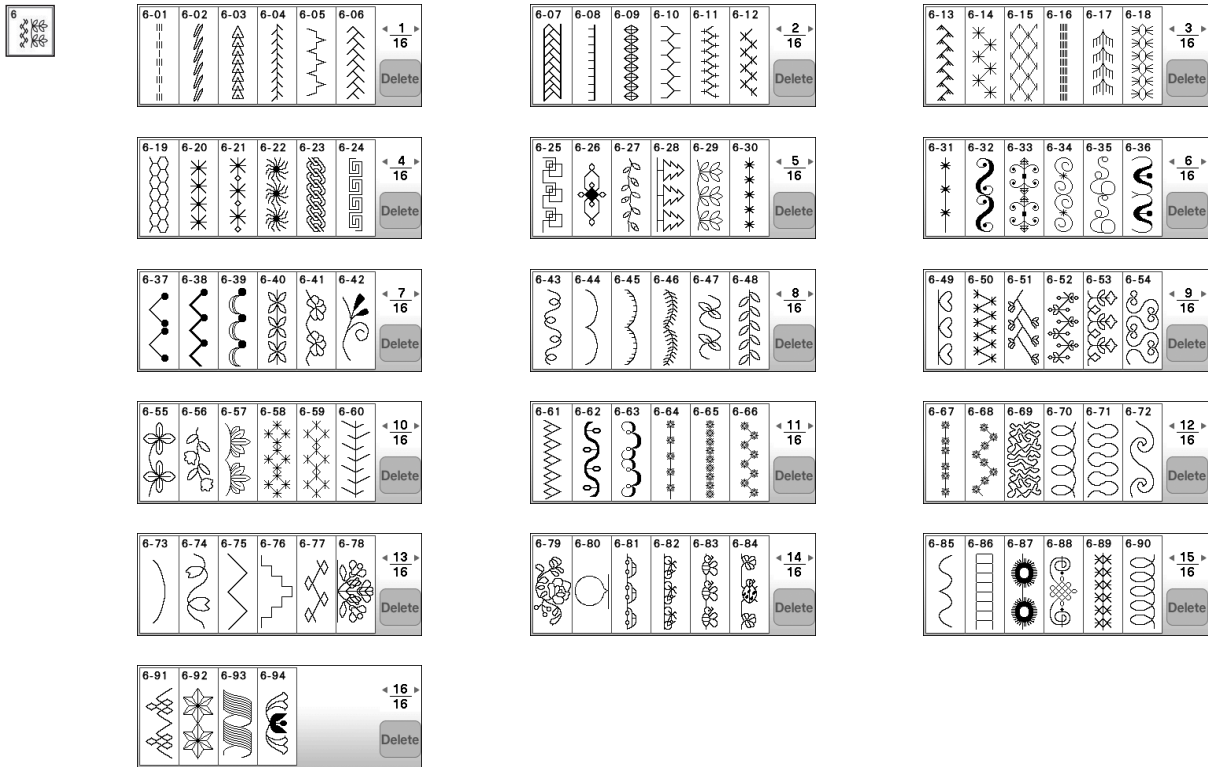


• 5-01~5-08

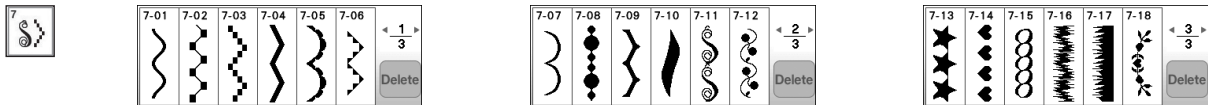


◆ Decorative Stitches ◆ Puntadas decorativas ◆ Points décoratifs

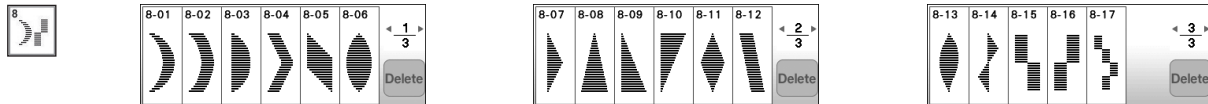
• 6-01~6-94



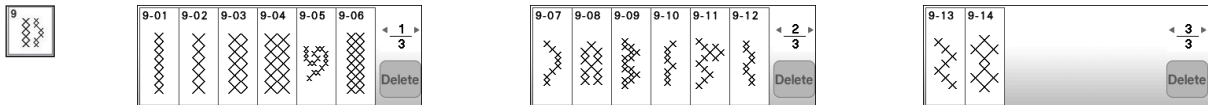
• 7-01~7-18



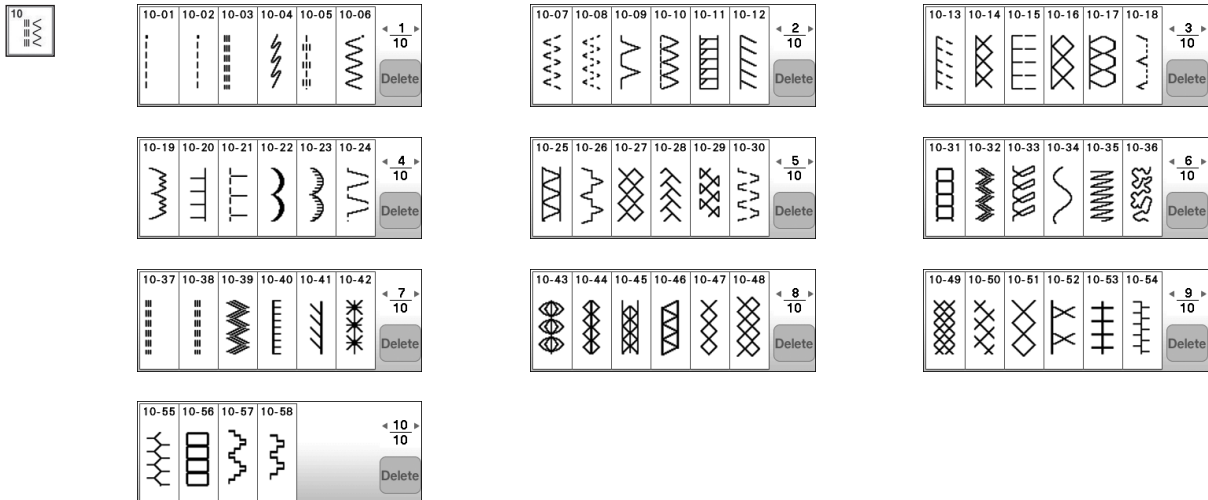
• 8-01~8-17



• 9-01~9-14



• 10-01~10-58



◆ Character Stitches

◆ Puntadas de carácter

◆ Points de caractères

A.B.あ ▶ AB

ABC abc	0-9 &?! AAA aaa						--WV AAA aaa
A	B	C	D	E	F	← 1/5 →	
G	H	I	J	K	L	Delete	

ABC abc	0-9 &?! AAA aaa						--WV AAA aaa
M	N	O	P	Q	R	← 2/5 →	
S	T	U	V	W	X	Delete	

ABC abc	0-9 &?! AAA aaa						--WV AAA aaa
Y	Z	α	b	c	d	← 3/5 →	
e	f	g	h	i	j	Delete	

ABC abc	0-9 &?! AAA aaa						--WV AAA aaa
k	l	m	n	o	p	← 4/5 →	
q	r	s	t	u	v	Delete	

ABC abc	0-9 &?! AAA aaa						--WV AAA aaa
w	x	y	z	_	← 5/5 →		
						Delete	

ABC abc	0-9 &?! AAA aaa						--WV AAA aaa
0	1	2	3	4	5	← 1/5 →	
6	7	8	9	#	%	Delete	

ABC abc	0-9 &?! AAA aaa						--WV AAA aaa
\$	£	€	¥	-	+	← 2/5 →	
X	÷	=	*	.	,	Delete	

ABC abc	0-9 &?! AAA aaa						--WV AAA aaa
&	?	!	@	<	>	← 3/5 →	
()	[]	/	\	Delete	

ABC abc	0-9 &?! AAA aaa						--WV AAA aaa
~	:	;	©	®	™	← 4/5 →	
“	”	”	'	'	'	Delete	

ABC abc	0-9 &?! AAA aaa						--WV AAA aaa
						← 5/5 →	
						Delete	

ABC abc	0-9 &?! AAA aaa						--WV AAA aaa
Â	Ä	Å	Æ	à	á	← 1/5 →	
â	ã	ä	å	æ	ç	Delete	

ABC abc	0-9 &?! AAA aaa						--WV AAA aaa
ç	Ð	È	É	Ê	Ë	← 2/5 →	
è	é	ê	ë	Í	Ï	Delete	

ABC abc	0-9 &?! AAA aaa						--WV AAA aaa
İ	ı	ı	ï	ı	Ñ	← 3/5 →	
Ñ	ñ	Ô	Ö	Ø	Õ	Delete	

ABC abc	0-9 &?! AAA aaa						--WV AAA aaa
œ	ø	ó	ô	ö	ø	← 4/5 →	
ø	œ	ř	t	Û	Ü	Delete	

ABC abc	0-9 &?! AAA aaa						--WV AAA aaa
ù	ú	û	ü	z	p	← 5/5 →	
p	B	_				Delete	

A.B.あ ▶ AB

ABC abc	0-9 &?! AAA aaa						--WV AAA aaa
A	B	C	D	E	F	← 1/5 →	
G	H	I	J	K	L	Delete	

ABC abc	0-9 &?! AAA aaa						--WV AAA aaa
M	N	O	P	Q	R	← 2/5 →	
S	T	U	V	W	X	Delete	

ABC abc	0-9 &?! AAA aaa						--WV AAA aaa
Y	Z	α	b	c	d	← 3/5 →	
e	f	g	h	i	j	Delete	

ABC abc	0-9 &?! AAA aaa						--WV AAA aaa
k	l	m	n	o	p	← 4/5 →	
q	r	s	t	u	v	Delete	

ABC abc	0-9 &?! AAA aaa						--WV AAA aaa
w	x	y	z	_	← 5/5 →		
						Delete	

ABC abc	0-9 &?! AAA aaa						--WV AAA aaa
0	1	2	3	4	5	← 1/5 →	
6	7	8	9	#	%	Delete	

ABC abc	0-9 &?! AAA aaa						--WV AAA aaa
\$	£	€	¥	-	+	← 2/5 →	
X	÷	=	*	.	,	Delete	

ABC abc	0-9 &?! AAA aaa						--WV AAA aaa
&	?	!	@	<	>	← 3/5 →	
()	[]	/	\	Delete	

ABC abc	0-9 &?! AAA aaa						--WV AAA aaa
~	:	;	©	®	™	← 4/5 →	
“	”	”	'	'	'	Delete	

ABC abc	0-9 &?! AAA aaa						--WV AAA aaa
						← 5/5 →	
						Delete	

ABC abc	0-9 &?! AAA aaa						--WV AAA aaa
À	Á	Â	Ã	Ä	Å	← 1/5 →	
à	á	â	ã	ä	å	Delete	

ABC abc	0-9 &?! AAA aaa						--WV AAA aaa
ç	Ð	È	É	Ê	Ë	← 2/5 →	
è	é	ê	ë	Í	Ï	Delete	

ABC abc	0-9 &?! AAA aaa						--WV AAA aaa
İ	ı	ı	ï	ı	Ñ	← 3/5 →	
Ñ	ñ	Ô	Ö	Ø	Õ	Delete	

ABC abc	0-9 &?! AAA aaa						--WV AAA aaa
œ	ø	ó	ô	ö	ø	← 4/5 →	
ø	œ	ř	t	Û	Ü	Delete	

ABC abc	0-9 &?! AAA aaa						--WV AAA aaa
ù	ú	û	ü	z	p	← 5/5 →	
p	B	_				Delete	

A.3.3 AB

ABC abc	0-9 &?! aaa	AAA aaa	→W ↔			
A	B	C	D	E	F	← 1/5 →
G	H	I	J	K	L	Delete

ABC abc	0-9 &?! aaa	AAA aaa	→W ↔			
M	N	O	P	Q	R	← 2/5 →
S	T	U	V	W	X	Delete

ABC abc	0-9 &?! aaa	AAA aaa	→W ↔			
Y	Z	a	b	c	d	← 3/5 →
e	f	g	h	i	j	Delete

ABC abc	0-9 &?! aaa	AAA aaa	→W ↔			
k	l	m	n	o	p	← 4/5 →
q	r	s	t	u	v	Delete

ABC abc	0-9 &?! aaa	AAA aaa	→W ↔		
w	x	y	z	_	← 5/5 →
Delete					

ABC abc	0-9 &?! aaa	AAA aaa	→W ↔			
0	1	2	3	4	5	← 1/5 →
6	7	8	9	#	%	Delete

ABC abc	0-9 &?! aaa	AAA aaa	→W ↔			
§	€	©	¥	□	+	← 2/5 →
×	÷	≡	✖	°	ρ	Delete

ABC abc	0-9 &?! aaa	AAA aaa	→W ↔			
&	?	!	@	<	>	← 3/5 →
()	[]	/	\	Delete

ABC abc	0-9 &?! aaa	AAA aaa	→W ↔			
~	°	°	⊙	⊗	™	← 4/5 →
σ	ρ	π	ν	δ	ρ	Delete

ABC abc	0-9 &?! aaa	AAA aaa	→W ↔			
_						← 5/5 →
Delete						

ABC abc	0-9 &?! aaa	AAA aaa	→W ↔			
Â	Ä	Å	Æ	à	á	← 1/5 →
â	ä	å	æ	ç	Ç	Delete

ABC abc	0-9 &?! aaa	AAA aaa	→W ↔			
Ç	Ð	Ë	É	Ê	Ë	← 2/5 →
è	é	ê	ë	í	ï	Delete

ABC abc	0-9 &?! aaa	AAA aaa	→W ↔			
İ	ı	ı	ı	ı	Ñ	← 3/5 →
Ñ	ñ	Ö	ö	ø	Ö	Delete

ABC abc	0-9 &?! aaa	AAA aaa	→W ↔			
œ	ò	ó	ô	ö	ø	← 4/5 →
ó	œ	ř	ť	Ů	ů	Delete

ABC abc	0-9 &?! aaa	AAA aaa	→W ↔			
ù	ú	û	ü	z	P	← 5/5 →
þ	ß	_				Delete

A.3.4 A5

АБВ абв	0-9 &?! aaa	AAA aaa	→W ↔			
А	Б	В	Г	Д	Е	← 1/4 →
Ё	Ж	З	И	Й	К	Delete

АБВ абв	0-9 &?! aaa	AAA aaa	→W ↔			
Л	М	Н	О	П	Р	← 2/4 →
С	Т	У	Ф	Х	Ц	Delete

АБВ абв	0-9 &?! aaa	AAA aaa	→W ↔			
Ч	Ш	Щ	Ъ	Ы	Ь	← 3/4 →
Э	Ю	Я	Г	Е	І	Delete

АБВ абв	0-9 &?! aaa	AAA aaa	→W ↔			
İ	ı	ħ	ĥ	Ј	Јь	← 4/4 →
Њ	Џ	Ѓ	Ѕ	Ќ	_	Delete

АБВ абв	0-9 &?! aaa	AAA aaa	→W ↔			
а	б	в	г	д	е	← 1/4 →
ё	ж	з	и	й	к	Delete

АБВ абв	0-9 &?! aaa	AAA aaa	→W ↔			
Л	М	Н	О	П	Р	← 2/4 →
С	Т	У	Ф	Х	Ц	Delete

АБВ абв	0-9 &?! aaa	AAA aaa	→W ↔			
ч	ш	щ	ъ	ы	ь	← 3/4 →
э	ю	я	г	е	і	Delete

АБВ абв	0-9 &?! aaa	AAA aaa	→W ↔			
ı	ı	ħ	ĥ	Ј	Јь	← 4/4 →
Њ	Џ	Ѓ	Ѕ	Ќ	_	Delete

АБВ абв	0-9 &?! aaa	AAA aaa	→W ↔			
0	1	2	3	4	5	← 1/2 →
6	7	8	9	-	.	Delete

АБВ абв	0-9 &?! aaa	AAA aaa	→W ↔			
,	&	?	!	()	← 2/2 →
/	'	_	Delete			

Katakana characters: One of the Japanese character sets
 Caracteres Katakana: Uno de los diferentes conjuntos de caracteres japoneses.
 Caractères Katakana : Un des ensembles de caractères japonais.

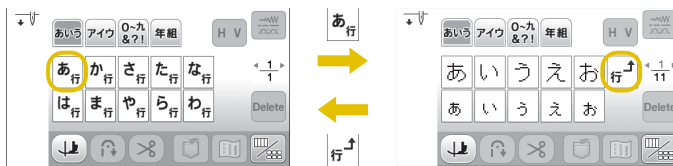
Arabic numerals, Japanese Kanji numerals
 Números arábigos, números Kanji japoneses
 Chiffres arabes, chiffres Kanji japonais

Kanji characters: Often used in daily life / symbols.
 Caracteres Kanji: se utilizan a menudo cotidianamente / como símbolos.
 Caractères Kanji : souvent utilisés dans la vie de tous les jours/symboles.

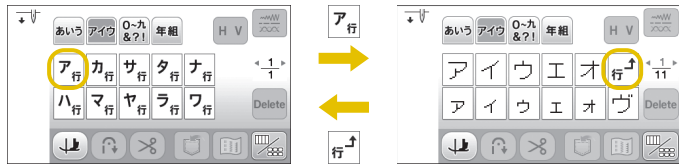
Hiragana characters: One of the Japanese character sets
 Caracteres Hiragana: Uno de los diferentes conjuntos de caracteres japoneses.
 Caractères Hiragana : Un des ensembles de caractères japonais.



Horizontal
 Horizontal
 Horizontal
 Vertical
 Vertical
 Vertical



<p>あ行</p>	<p>か行</p>	<p>さ行</p>
<p>た行</p>	<p>な行</p>	
<p>は行</p>	<p>ま行</p>	
<p>や行</p>	<p>ら行</p>	<p>わ行</p>



ア行



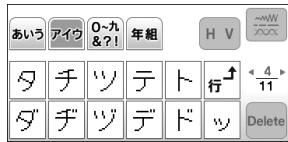
カ行



サ行



タ行



ナ行



ハ行



マ行



マ行



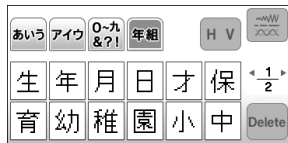
ヤ行



ラ行



ワ行



- Example of Kanji characters in daily life
- Ejemplo de caracteres Kanji en la vida cotidiana
- Exemple de caractères Kanji dans la vie quotidienne

一 二 三 四 五 六 七 八 九 十

1, 2, 3, 4, 5, 6, 7, 8, 9, 10

生 年 月 日

Date of birth

Fecha de nacimiento

Date de naissance

一 才

1 year old

1 año de edad

1 an

保 育 園

Nursery school

Guardería

Crèche

幼 稚 園

Kindergarten

Jardín de infancia

École maternelle

小 学 校

Elementary school

Escuela primaria

École primaire

中 学 校

Junior high school

Escuela secundaria

Collège

組

Group/Class

Grupo/Clase

Groupe/Classe

部

Club/Division

Club/División

Club/Division

月

Moon/Monday

Luna/Lunes

Lune/Lundi

火

Fire/Tuesday

Fuego/Martes

Feu/Mardi

水

Water/Wednesday

Agua/Miércoles

Eau/Mercredi

木

Tree/Thursday

Árbol/Jueves

Arbre/Jeudi



Gold/Friday

Oro/Viernes

Or/Vendredi



Soil/Saturday

Tierra/Sábado

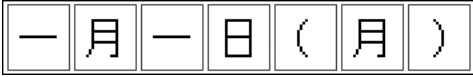
Terre/Samedi



Sun/Sunday

Sol/Domingo

Soleil/Dimanche



January 1st (Monday)

1 de enero (lunes)

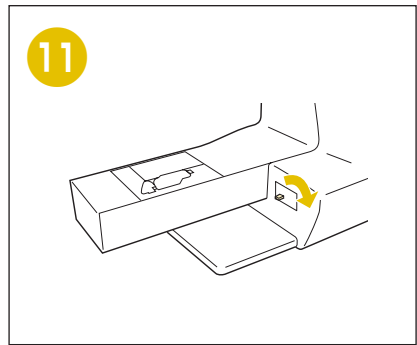
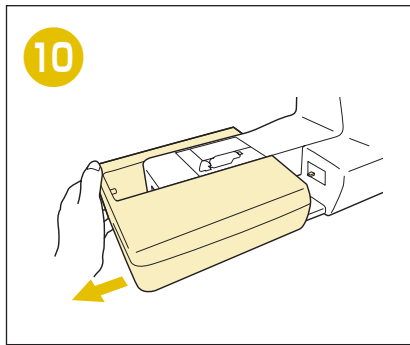
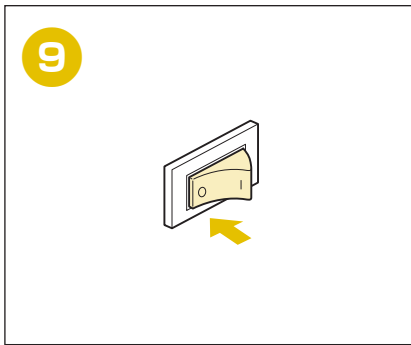
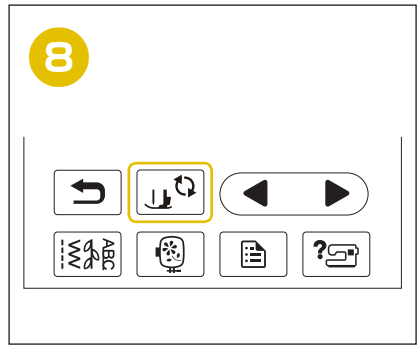
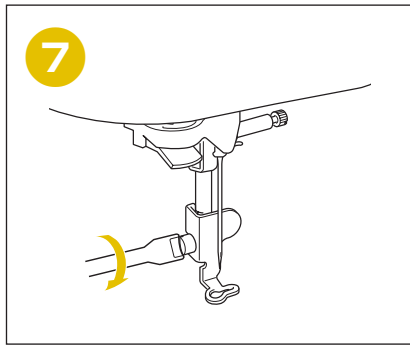
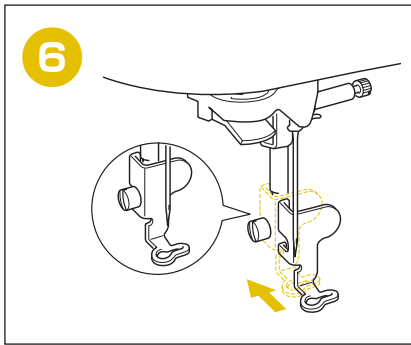
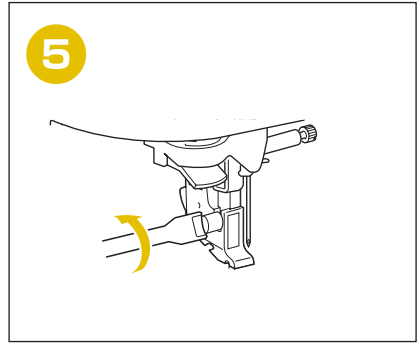
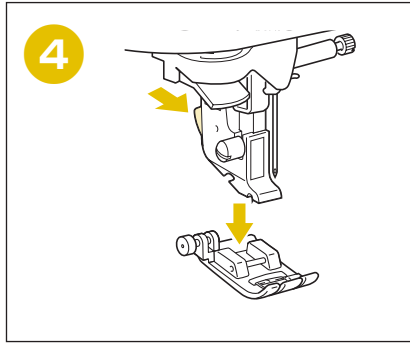
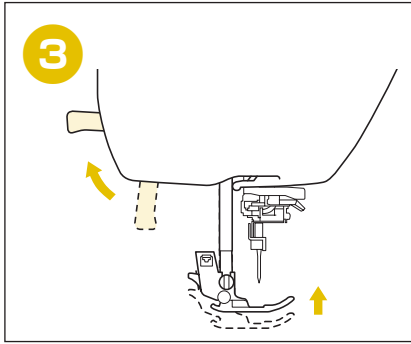
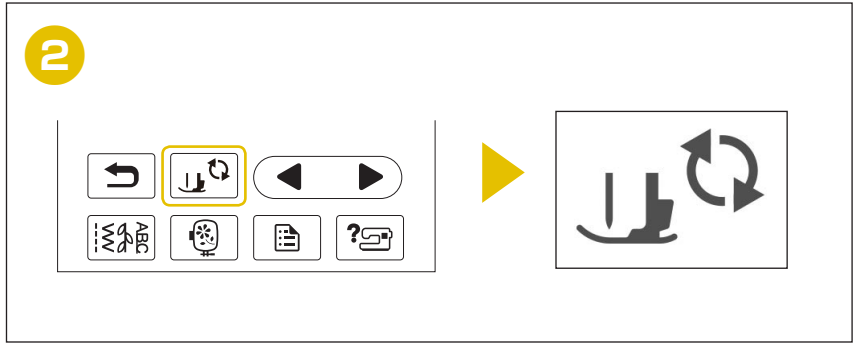
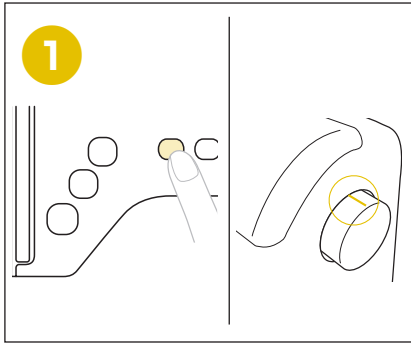
1er janvier (lundi)

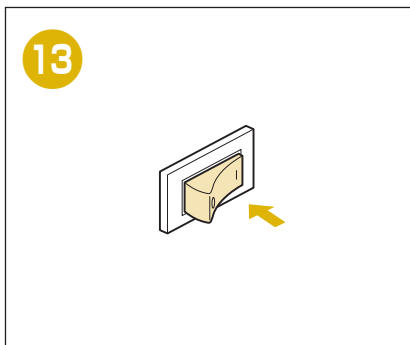
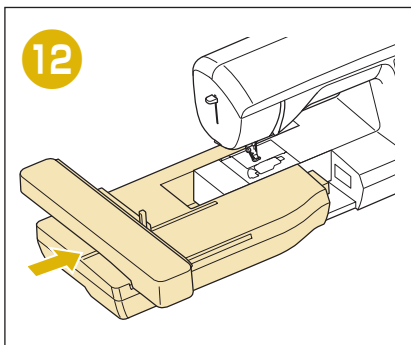


Preparing to Embroider


Preparativos para bordar

Préparation de la broderie

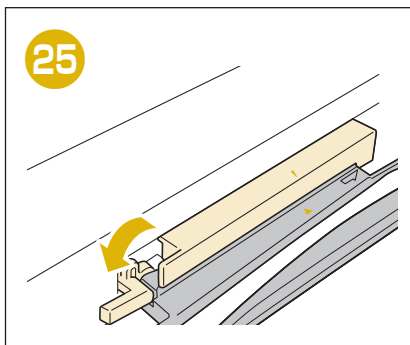
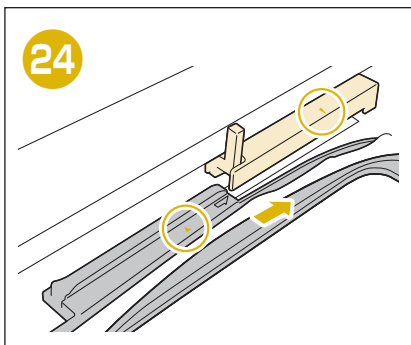
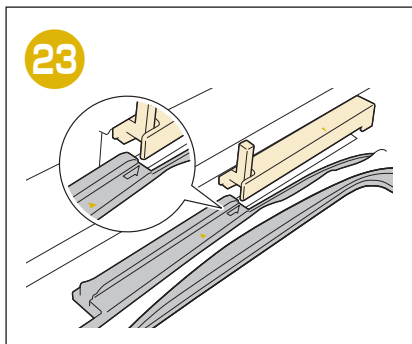
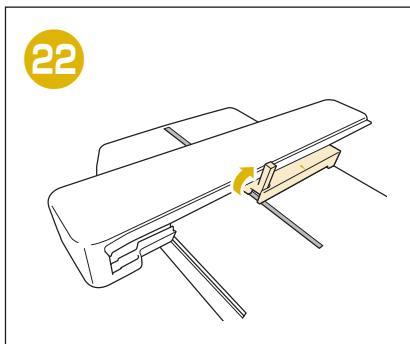
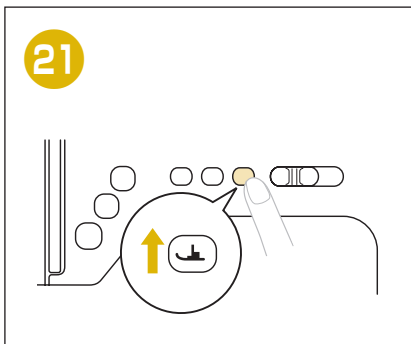
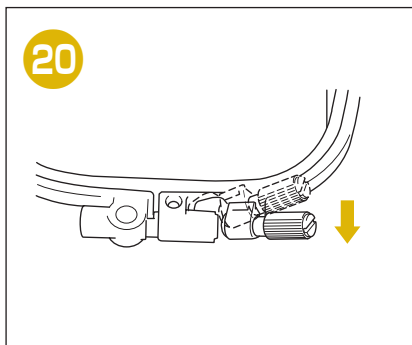
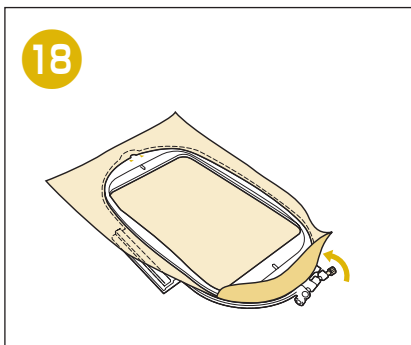
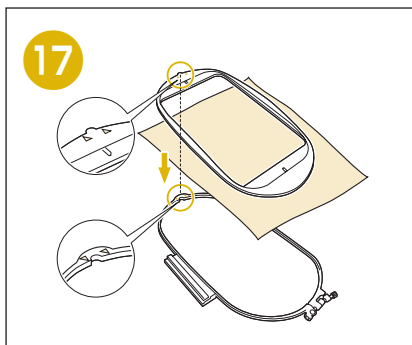
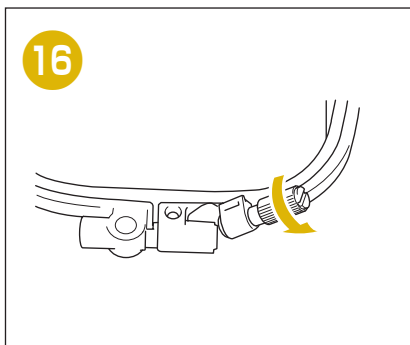
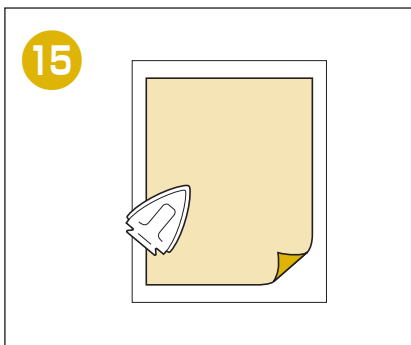




14



The carriage of the embroidery unit will move. Keep your hands etc. away from the carriage.

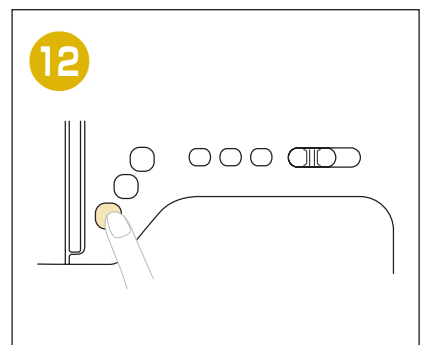
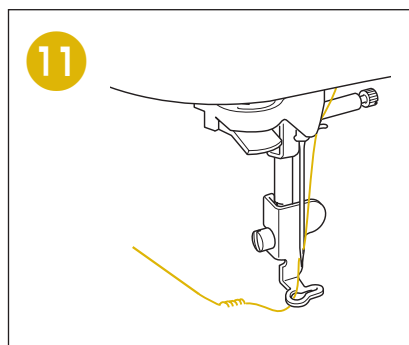
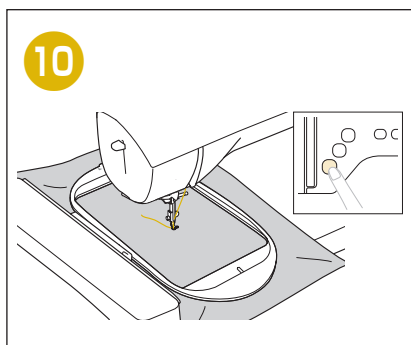
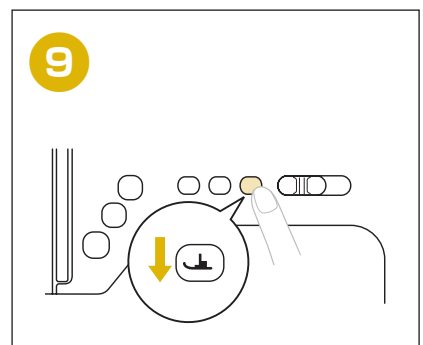
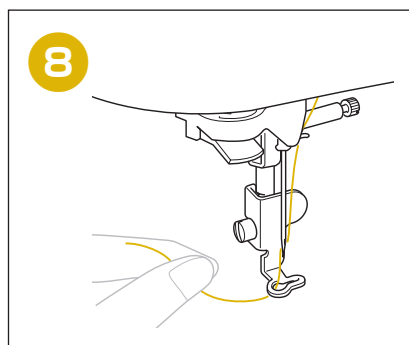
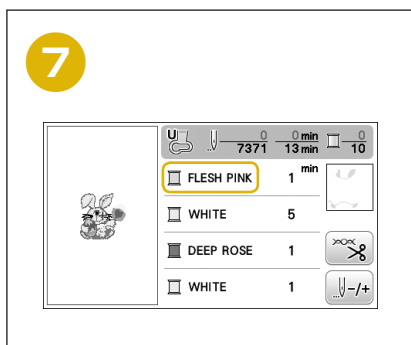
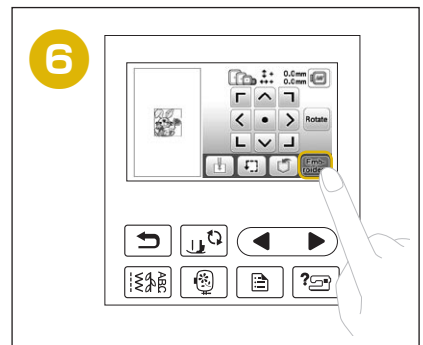
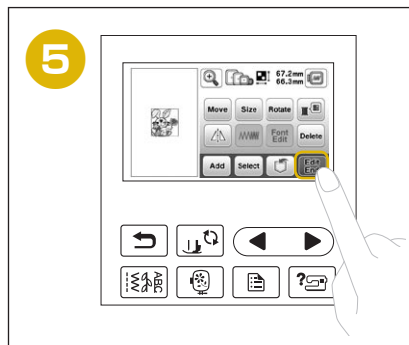
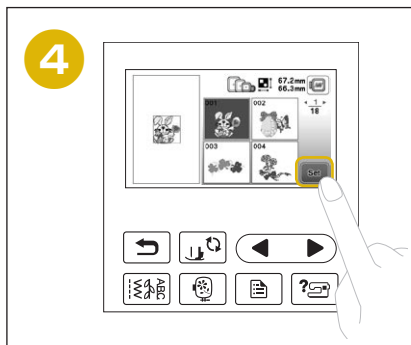
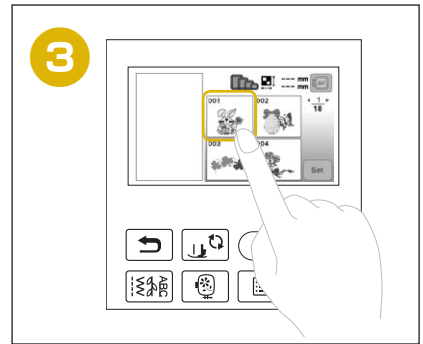
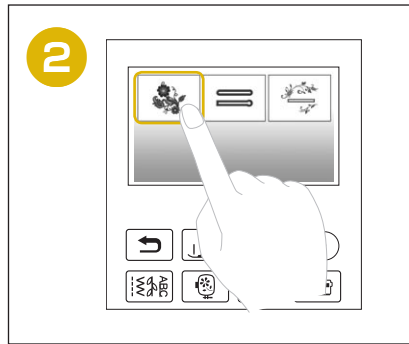
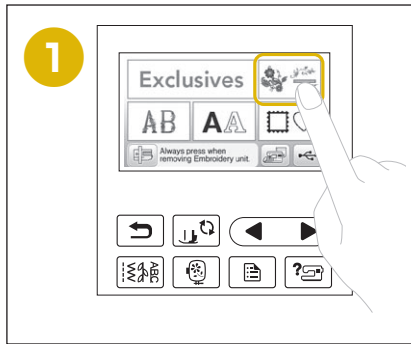


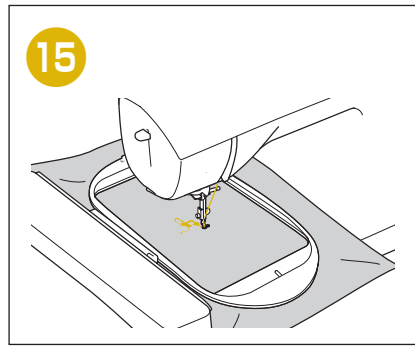
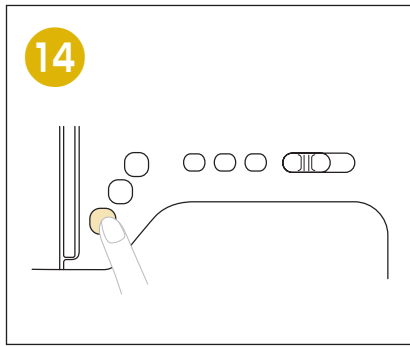
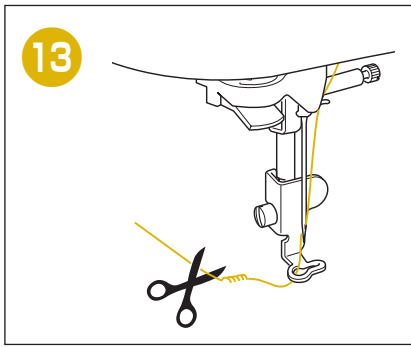


Selecting Embroidery Patterns

Seleccionar patrones de bordado

Sélection des motifs de broderie





English
Spanish
French
888-G11
Printed in Vietnam



XG8667-001