

THERMACELL[®] radius[™] ZONE MOSQUITO REPELLENT

USER GUIDE

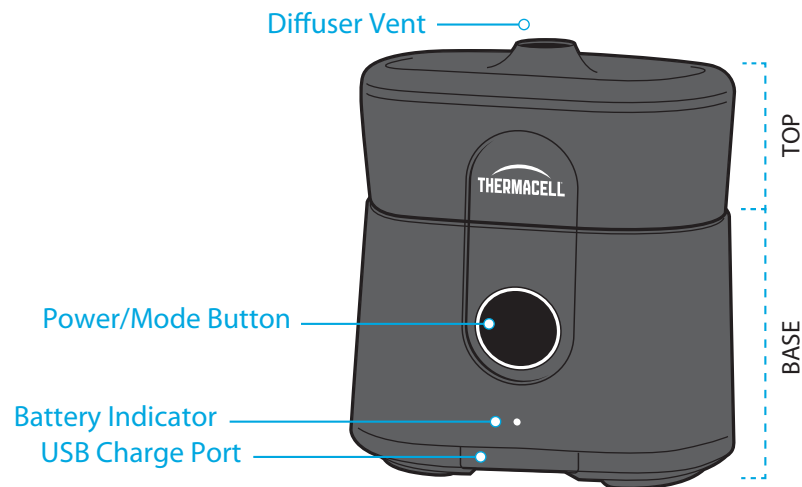
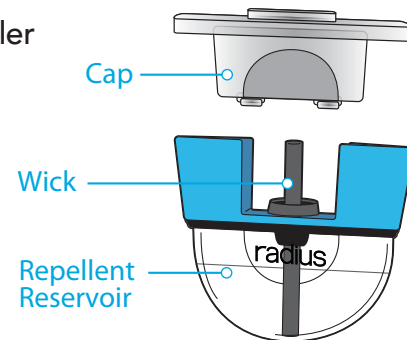
Contains:

[1] Radius[™] Zone Mosquito Repeller

[1] USB Cable

[1] USB Power Adapter

[1] Radius[™] Zone Mosquito
Repellent 12 Hour Cartridge



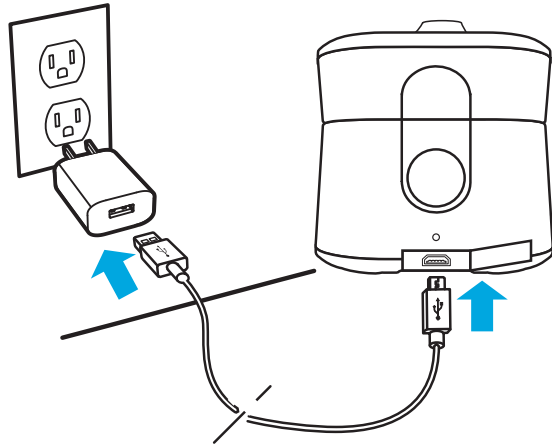
Directions For Use

It is a violation of Federal law to use this product in a manner inconsistent with its labeling. Keep packaging, user guide and precautionary statements for future reference.

Fully charge before first use.

Pull back the rubber cover to expose USB charging port.
Insert the USB charger provided into the repeller.
Fully charging the battery takes up to 5 hours.

Battery indicator blinks during charging.
When charge is complete, battery indicator stays on.



Insert a refill

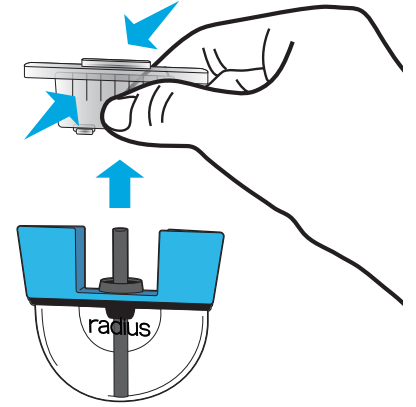
Replace empty repellent refills when repeller is turned off.

Remove the cap from the refill.

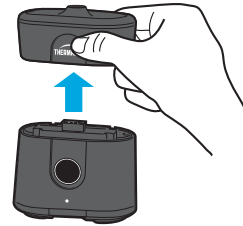
Open the repeller.

Insert the refill into the base.

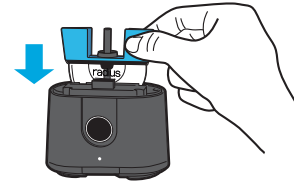
Close the repeller.



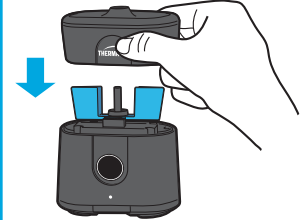
1



2



3



Prior to transporting, remove the repellent refill from the repeller and replace refill cap.

To turn ON/OFF

Press the POWER button to turn on.

To turn off, press and hold the POWER button for 1 second.

For best results, let the repeller run for 15 minutes to establish complete protection.



Auto-Off Timer

Double click the POWER button to start the timer.

The repeller will automatically turn off in 120 minutes.

Lock/Unlock Repeller

Press and hold the POWER button for 5 seconds to activate/deactivate LOCK mode.

The POWER button will flash 3 times if pressed while device is locked, but the repeller will not turn on.

Battery Level check

The battery indicator light will display for 3 seconds when the repeller is turned on.

Steady White: 3 hours +

Steady Yellow: < 3 hours

Blinking Yellow: < 30 minutes

Useful Tips:

- Do not use indoors.
- Only operate with vent facing upwards.
- Do not cover the repeller while is in use.
- For best protection/coverage, place one repeller every 10-12 ft.
- The refill wick will get hot while in use. Always allow to cool before handling.
- Do not attempt to touch or break the refill wick.
- Only use Thermacell Radius refills in this repeller.
- Do not use or leave in direct sunlight or in other extremely hot conditions.
- Store at room temperature in dry environment when not in use.
- Only use with battery charger provided.
- Do not store with battery completely discharged for extended periods of time. Batteries should be charged at least once every 3 months during storage. Battery should be discharged and charged after being stored more than a year in order to maintain optimal battery capacity.


THERMACELL®

Radius™ produces an invisible zone of protection that repels mosquitoes.

Provides
protection within
15 minutes of use

Continually
releases repellent
to maintain
protection

Rechargeable



Need Help?



1-866-753-3837



service@thermacell.com



Thermacell Repellents, Inc.
26 Crosby Drive
Bedford, MA 01730

100 % Satisfaction Guaranteed

At Thermacell, we stand behind our products and our quality. If you are not completely satisfied with your purchase, you may return it to us for repair, replacement, or refund.

IMPORTANT: READ ALL INSTRUCTIONS BEFORE USE

ATTENTION: This product is intended for adult use only. This product is not a toy.

IMPORTANT SAFETY INFORMATION. READ CAREFULLY BEFORE USE.

NOTICE: This product contains a lithium ion battery which is subject to certain transport restrictions. Inspect the product's packaging prior to transport. Do not transport this product if the component housing the battery is damaged. When using rechargeable battery operated products, basic precautions should always be taken. To reduce the risk of injury, close supervision is necessary when a product is used near children. **KEEP OUT OF REACH OF CHILDREN.** DO NOT put fingers, hands, metal or other foreign objects in the product. Do not remove the battery from the equipment housing. Do not store with battery completely discharged for extended periods of time. Batteries should be charged at least once every 3 months during storage. Battery should be discharged and charged after being stored more than a year to maintain optimal battery capacity. The battery should be stored at room temperature in a dry location and should not be placed, charged or stored in high-temperature locations. Exposure of the battery or device to fire or temperature above 130°C/265°F may cause explosion. Only use with battery charger supplied in a properly functional electrical outlet. Charging should be performed at a temperature between 40°F and 110°F. Charging improperly or at temperatures outside of the specified range may damage the battery and increase the risk of fire. Recharge only with the USB charger supplied with the device (5V DC-1000 mA) or with a USB Listed/Certified Class 2 Power unit charger marked 5V DC-1000 mA. If any leaks, odors, or deformities are noticed in the structure housing the battery, immediately discontinue use and dispose of safely. Do not expose the device to water or otherwise allow the device to get wet. Do not modify or attempt to repair the device. For service, contact Thermacell. USE ONLY Thermacell Refills. Thermacell will not be responsible for damage, injury or poor product performance caused by use of any other refills or unapproved replacement parts in this Thermacell device.

SAVE THESE INSTRUCTIONS

WARRANTY, LIMITATION OF LIABILITY AND DISCLAIMERS: Thermacell warrants that this product, when used in accordance with this label and all other instructions accompanying this product, complies with the product specifications set forth in this label and the associated instructions. Except as otherwise provided by applicable law, Thermacell makes no other warranties, and disclaims all other warranties, express or implied, including but not limited to warranties of merchantability and fitness for a particular purpose. Except as otherwise provided by applicable law, Thermacell's liability for default, breach or failure of the product to perform in accordance with the product specifications set forth in this label shall be limited to the amount of the purchase price. Except as otherwise provided by applicable law, Thermacell shall have no liability for incidental or consequential damages resulting from the use or handling of this product. To the extent permitted by applicable law, Thermacell will not be held responsible for damage, injury or product performance issues caused by use of other repellent refills or any other products or components not manufactured or sold by Thermacell.