



FOXFURY
LIGHTING SOLUTIONS

NOBLE IQ



INNOVATIVE. PREMIUM. PORTABLE. ANYWHERE. LIGHTING TOOLS.

*FoxFury creates unique and cutting-edge lighting products that reflect the needs of our customers,
who demand quality and dependability.*

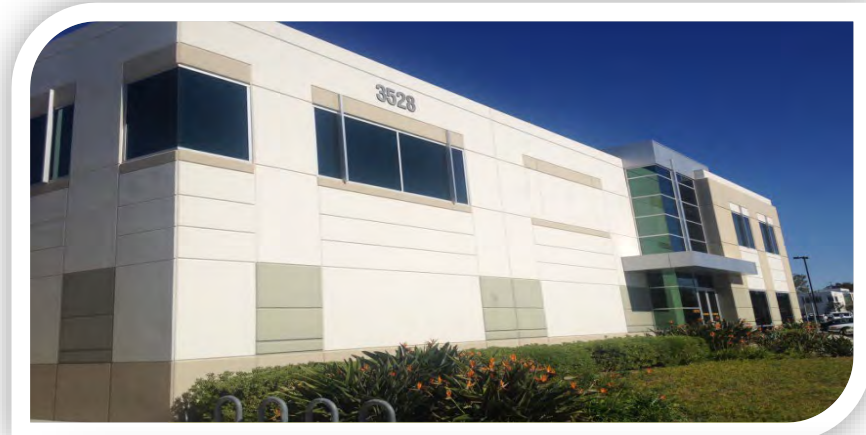
Distributed By NOBLE IQ
Contact Edward M. Levy
Director of Critical Infrastructure
+1.203.564.6561 | ed.levy@nobleiq.com

What we do:

FoxFury is a technology company that creates unique and cutting-edge products that reflect the needs of our customers, who demand quality, reliability and dependability.

Oceanside CA

Hillsboro TX



**“WE HAVE BEEN,
ARE,
& WILL ALWAYS BE,
A COMPANY OF
MANY FIRSTS”**

~ MARIO CUGINI, FOXFURY CEO

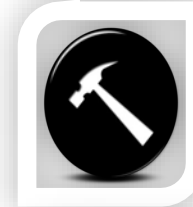
What Makes Us Different

We build task lighting for the industry professionals

- **Technology**
- **Features**
- **Run Times**
- **Durability**



Meets NFPA
Fire Resistant



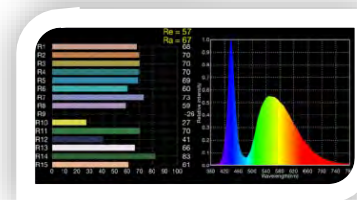
Impact Resistant



WATER PROOF
IPX7



UL 913 Certified
Class 1, Div 1 Groups A-D, T6
Class 1, Div 2 Groups A-D, T6



HI - CRI

Our Leading End Users

Worldwide in 108 countries



NSN Numbers on Scene Lights
FEMA USAR CACHE LIST
FEMA ITEM # LH-0135.00

- US DHS
Inter Agency Board
 - SEL# 03OE-03-LTPA
 - SEL# 03OE-04-LTHE
 - SEL# 08D2-01-LITE
 - SEL# 03OE-04-LTHH
- GSA – Add to your GSA
- DUNS
- CAGE 4JUY6 or

Field Tested and Won in every Industry...

NOBLE | IQ

Core ROI Verticals

MILITARY

- **FOB** (Forward Operating Base)
- **Check Point**
- **Perimeter Lighting**
- **Recon**
- **IBS** (Integrated Battle Station)
- **LZ** (Landing Zone)
- **SOCOM** (Special Operations Command)
- **IR Operations**
- **Bivouac**
- **Fleet Services**
- **Supply**
- **AFT Deck**
- **Breach & Board**
- **Command Post**
- **Portable Hospitals**

DHS/DOD Police/Security

- **EOD** (Explosive Ordnance Disposal)
- **DUI Checkpoint**
- **SWAT**
- **Active Shooter**
- **Traffic**
- **Investigations**
- **Coroner**
- **Crowd Control**
- **Crime Shelter**
- **ICS** (Incident Command System)
- **Forensic**
- **UAS Launch area**

DOD FIRE Dept

- **Individual Fire Fighter Personal Lighting**
- **RESCUE Teams**
- **HAZMAT Teams**
- **Arson Investigations**
- **Wildland Fire Fighters**
- **Camps**
- **MEDICAL Triage**
- **Landing Zones**
- **Training**

Panoramic Lighting : Increases User Safety

HEADLAMPS & HELMET LIGHTS

“Since changing to FoxFury Panoramic design – we have experienced greater peripheral vision which gives us better situational awareness”. -IAFC Training Chief



Side Slide C-Clamp Mini SIDESLIDE C-CLAMP

520-250 LUMENS

Used as a flashlight or side-mounted helmet light

FEATURES

- ❖ Highly visible Rear Flashing LED
- ❖ Mounts above/below brim of most U.S. style fire helmets without a face shield
- ❖ Weight: 8.9oz (252g)
- ❖ (1) 18650 battery | 4-10 hours



COMMAND+ TILT

100 LUMENS

Best suited for outdoor use including search & rescue and firefighting

FEATURES

- ❖ Adjustable tilt: aim and adjust light
- ❖ Includes silicone and elastic strap
- ❖ Rechargeable option available
- ❖ Weight: 9.8oz (278g)
- ❖ (4) AA batteries | 5-14 hours



DISCOVER TILT

300 LUMENS

Best suited for long distance tasks and general area illumination

FEATURES

- ❖ Adjustable tilt: aim and adjust light
- ❖ Includes silicone and elastic strap
- ❖ Weight: 12.1oz (343g)
- ❖ (4) AA | 5-12 hours



LO•PRO MODELS

65, 100, 200 LUMENS

Best suited for firefighter helmets with external face shield

FEATURES

- ❖ Ultra slim design clears face shields on most U.S. style fire helmets
- ❖ Includes silicone strap
- ❖ Rechargeable option available

True to Life™ LED Technology



FoxFury Command+ Tilt White & Green LED Headlamp

18 White 2 Green LEDs: Allows the light to be seen further through heavy smoke, steam and dust. Great for fires with concentrated hydrocarbons. Structure Response Solution.



FoxFury Command+ Tilt White & Amber LED Headlamp

18 White 2 Amber LEDs: Allows the light to be seen further through tan smoke, steam and dust. Great for fires with Chaparral, Forest, Grass. Wildland Response Solution

MEET THE MINI

SIDESLIDE C-CLAMP MINI



ORIGINAL



MINI



MODELS	P/N
SIDESLIDE MINI C-CLAMP	940K-010FI-M

CERTIFICATIONS

- IPX7
- CE & UKCA

See Wider and Truer in All Hazards



RIGHT ANGLE & UTILITY LIGHTS



WEATHERPROOF
LONG DISTANCE
SEARCH TOOLS

SHOWN:
Breakthrough BT2P



SCOUT TAC
65 LUMENS

See and be seen on scene

FEATURES

- ❖ True to Life™ LED Technology
- ❖ Removable Comfort Clip enables multi-wear options
- ❖ Available with white, or white & red LEDs
- ❖ Weight: 5.7oz (163g)
- ❖ (3) AA batteries | 12-50 hours



BTS
500 LUMENS

Low profile smoke cutting light

FEATURES

- ❖ SMO-KUT™ Smoke Cutting Technology
- ❖ Rechargeable option available
- ❖ Available in black or black/yellow
- ❖ Weight: 1.3 lbs (590 g)
- ❖ (4) AA batteries | 3 - 12 hours



BT2-IS
200 LUMENS

The intrinsically safe search tool

FEATURES

- ❖ Long distance beam
- ❖ Rechargeable option available
- ❖ Hazardous Locations
UL913: Class I, Zone 0, AEx ia IIC T5
IECEX: Ex ia IIC T5 Ga
- ❖ Weight: 19.7oz (558g)
- ❖ (4) AA batteries* | 3-8 hours
*Only use approved batteries



BT2+
700 LUMENS

The professional long distance search tool

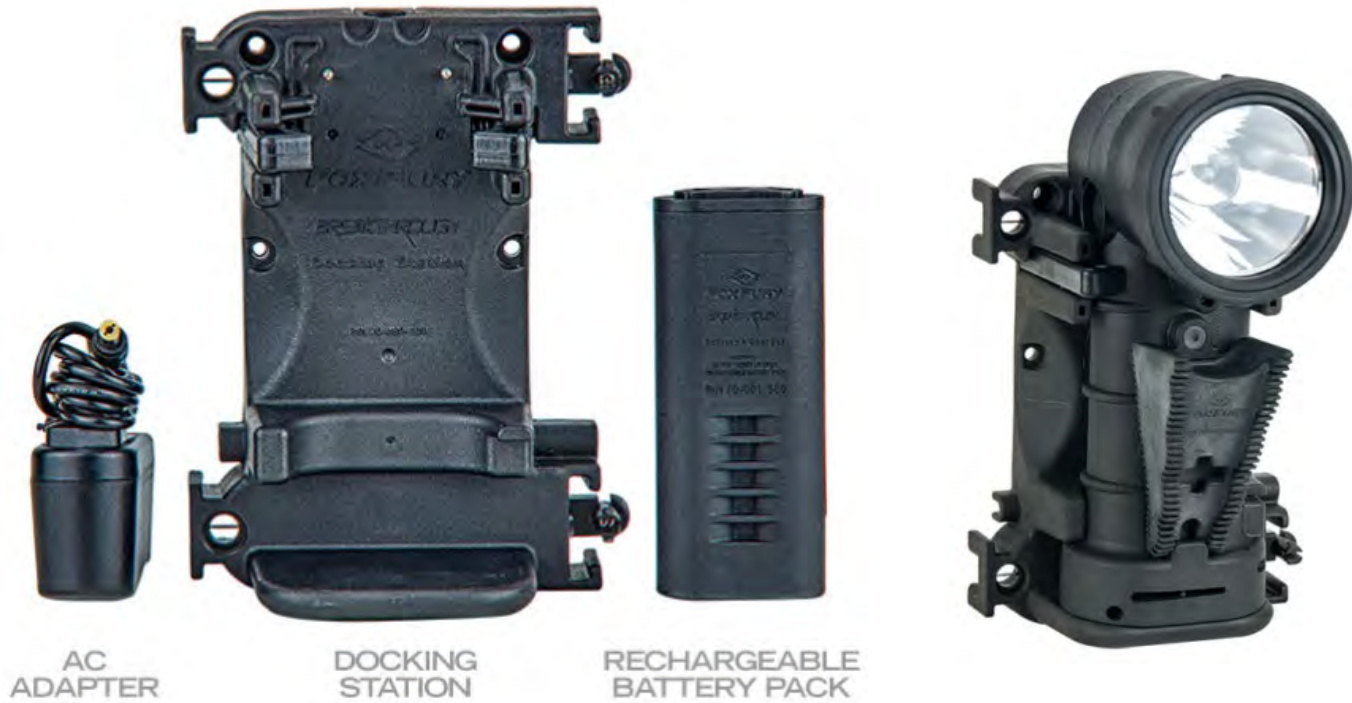
FEATURES

- ❖ Extra long distance beam
- ❖ Rechargeable option available
- ❖ Available in black or orange exterior
- ❖ Weight: 20.6oz (585g)
- ❖ (4) AA batteries | 2-8 hours



SMO-KUT™ Technology

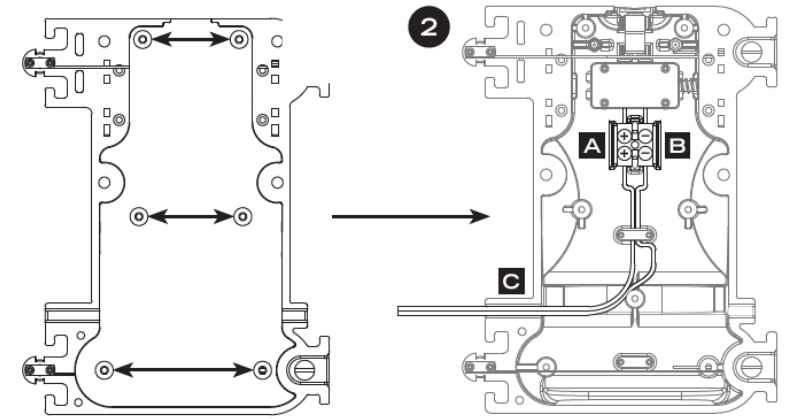
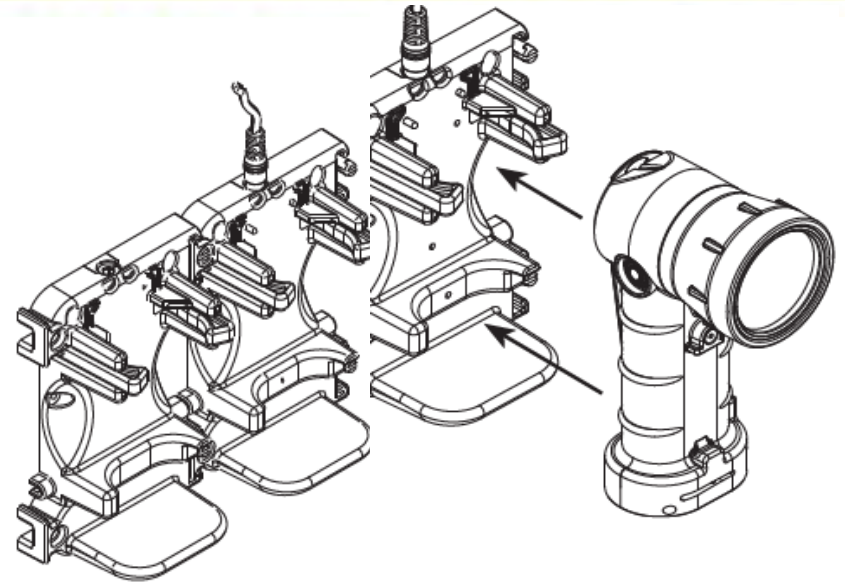
RIGHT ANGLE & UTILITY LIGHTS



The BT rechargeable kit comes with a contained rechargeable battery, docking station, and AC adaptor. Multiple docking stations can be daisy chained together.

Breakthrough® Series Rechargeable Kit PN: 600-380BT

DOCKING STATION CONFIGURATION



RIGHT ANGLE & UTILITY LIGHTS



SMO-KUT™ Technology – Durability - Versatility

NOMAD SCENE LIGHTING

"The Nomads give us a new freedom to deploy any where any time"
-FEMA US&R Task Force

Deploys in 10 Seconds
Run Times 3 – 24 Hour
Battery Operated
Waterproof 10 Feet
110/12v Charging / Driving
Stores Battery Life over 1 Year
NFPA Compliant
Salt Water Compliant
Recharges 4 – 7 Hours



Stored Position

NOW
6ft (1.8m)



3300 Lumens

PRIME
8ft (2.4m)



5600 Lumens

360
8.5ft (2.6m)



8,800 Lumens

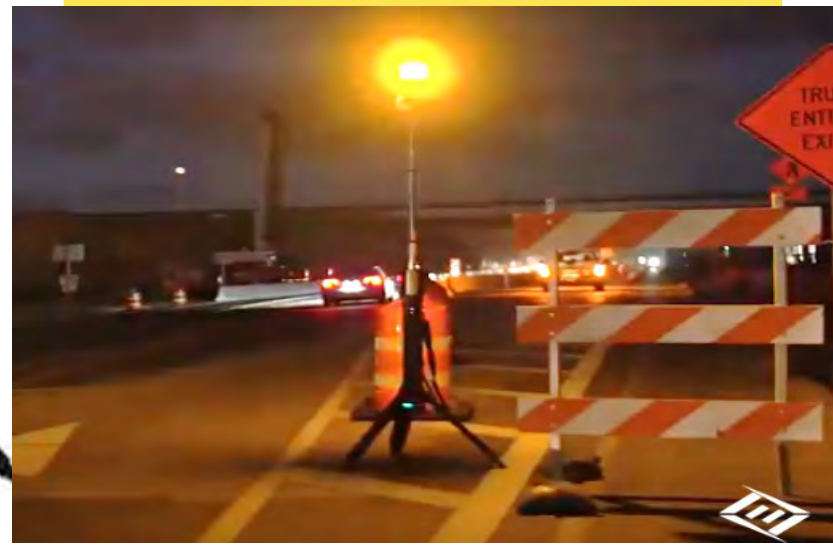
TRANSFORMER®
12.5ft (3.8m)



17,600 Lumens

SPOT – SCENE – 360 – COLOR DIFFUSED

AREA SCENE LIGHTS



AREA SCENE LIGHTS



Nomad 360 Color Bands

The FoxFury Color Bands enable the FoxFury Nomad® 360, T32, or T56 Scene Lights (sold separately), to be used as beacons (on flashing mode) or as marker lights (on solid light modes).



Complete Scene Illumination in seconds

AREA SCENE LIGHTS

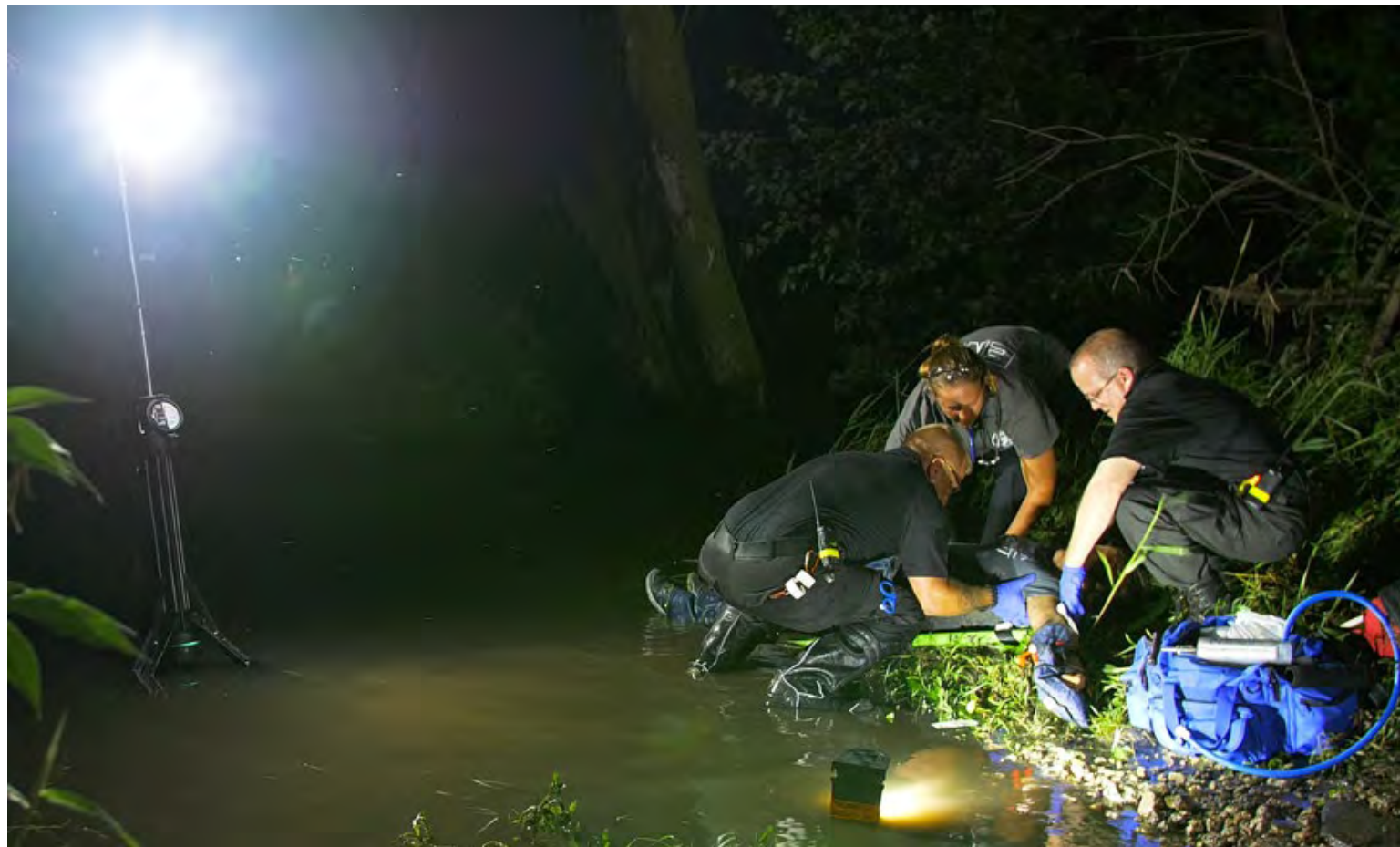


AREA SCENE LIGHTS



AREA SCENE LIGHTS





Waterproof to 10'

D100 Photography Scene Light System

Made in the USA

15 and 30 Degree Focused Beam



D100 photography scene light provides public safety users **2,300 lumens** of focused lighting and high CRI 90 capability. The D100 has a 70-minute battery life and comes with (2) 18650 batteries and an XTAR charger. The directed, focused beam provides brilliant white light to illuminate areas otherwise challenged to light.

	HANDLE AND STAND ASSEMBLY	D100 [®] Light
D100 LIGHT SYSTEM P/N 700-DH-341 P/N 700-DH-342		

ITEMS INCLUDED

- D100[®] Light (15° or 30°)
- Handle and Stand
- Lanyard
- XTAR Battery Charger
- (2) Rechargeable 18650 Li-Ion Batteries

AUTEL EVO II



PHANTOM 4

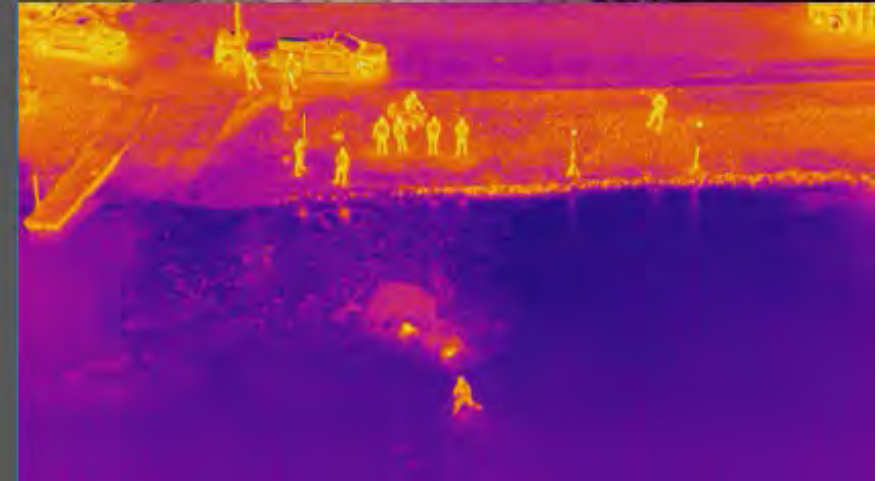


DJI MAVIC



EXOLANDER® SPOTLIGHT & PAYLOAD SYSTEM

- Overhead lighting for ground operations
- Enhances thermal



RUGO™ DRONE & CAMERA LIGHT



As a strobing light source, it meets the FAA Anti-Collision Lighting requirements for night flights spelled out in FAA FAR 107.29

FoxFury D3060 200 Lumens

FoxFury D3060 IR 700-319

Beam Angle 30 Degree (Front), 60 Degree (Dorsal)

Dual LEDs

The D3060 has two independent lights. They can be turned on independently or simultaneously. Both lights have low, high, and strobe modes. The strobe mode meets FAA and global regulations for UAV night flight and anti-collision drone lighting.

360 Swivel

The base plate of the D3060 swivels 360-degrees, allowing the user to rotate the light in any direction necessary.

Mounting Options

The D3060 comes with (2) 3M Dual Lock Fasteners, so users can mount it to almost any drone. Strap inserts and buttonholes are built into the base plate, so users can wear the light on helmets, clothing, bags, vests, etc.



Weight 1.3 oz (37 g)



D10 DRONE LIGHT

200 Lumens



Weight .48 oz (13.7 g)

The FoxFury D10 is a multi-function utility light that is proudly made in the USA. It mounts to most drones and helmets with the Flat Mounting Pad via Dual Loc Velcro or 5915 VHB Tape. MOLLE and OPSCORE mounts expand the mounting capabilities. The D10's 30° LED operates on continuous or strobe light modes. This rechargeable and splash proof light is durable and compact for a variety of uses where light is needed in a tight space. The D10 provides anti-collision lighting and navigational lighting and meets global night flight requirements.



UAV MAPPING LIGHTING SOLUTIONS

“The Nomad scene lights has allowed us to MAP and Document Crime Scenes in greater efficacy and effectiveness”

-MAIT Teams UAV DOT/LE





TAKER SERIES SHIELD LIGHTS

DURABLE LIGHTING TO KEEP PEOPLE SAFE IN TACTICAL SITUATIONS



DURABLE DESIGN
POWERFUL
TURBO-STORE™

SHOW
Clear 870 Shield Light



PIN 540K-010S



PIN 480-331



PIN 700-331



PIN 500-331-G



PIN 500-333-G



TAKER SERIES SHIELD LIGHTS

DURABLE LIGHTING TO KEEP PEOPLE SAFE IN TACTICAL SITUATIONS



DURABLE DESIGN

POWERFUL

TURBO-STROBE™

SHOWN
Above: B30 Shield Light

RIOT



TAKER R40

650 LUMENS

Powerful LED light for riot shields

FEATURES

- ❖ Mounts to inside of the shield
- ❖ Quick Swap™ Power Pack for recharging
- ❖ Turbo-Strobe™ mode
- ❖ Retrofits most riot and capture shields
- ❖ Rechargeable battery | 1 - 1.75 hours



TAKER B10

490 LUMENS

Most adaptive ballistic shield light for top & side-mounted use

FEATURES

- ❖ Attach multiple B10s on one shield for tactical advantage
- ❖ Turbo-Strobe™ mode
- ❖ Retrofits most ballistic shields
- ❖ (2) CR123 batteries or (1) 18650 battery | 1.5 - 4 hours



TAKER B30

600 LUMENS

Our lowest profile, front-mounted, ballistic shield light

FEATURES

- ❖ Replaceable lens in case of damage
- ❖ Turbo-Strobe™ mode
- ❖ Heavy-duty braided cable
- ❖ Retrofits most ballistic shields
- ❖ (2) 18650, (4) CR123 or (4) RCR123 Batteries | 2.5 - 6.5 hours



TAKER SERIES SHIELD LIGHTS

DURABLE LIGHTING TO KEEP PEOPLE SAFE IN TACTICAL SITUATIONS



DURABLE DESIGN
POWERFUL
TURBO-STROBE™
SHOWN
With B70 Shield Light



TAKER B50 1000 LUMENS

Versatile after-market ballistic shield light

FEATURES

- ❖ Includes square pressure switch
- ❖ Turbo-Strobe™ mode
- ❖ Heavy duty braided cable
- ❖ Retrofits most ballistic shields
- ❖ (2) 18650, (4) CR123 or (4) RCR123 batteries | 40 min - 3 hours



TAKER B52 2000 LUMENS

Our most powerful after-market ballistic shield light

FEATURES

- ❖ Includes square pressure switch
- ❖ Turbo-Strobe™ mode
- ❖ Heavy duty braided cable
- ❖ Retrofits most ballistic shields
- ❖ (2) 18650 batteries | 85 min - 2 hours



TAKER B70 1200 LUMENS

Best integrated light with handle for OEM shield manufacturers

FEATURES

- ❖ Ambidextrous light activation
- ❖ Turbo-Strobe™ mode
- ❖ No visible cables or wires
- ❖ Single hand grip
- ❖ (3) or (6) CR123 batteries | 2 - 4 hour

TAKER SERIES SHIELD LIGHTS

DURABLE LIGHTING TO KEEP PEOPLE SAFE IN TACTICAL SITUATIONS

Works on all models and brands of Ballistic Shields, Riot Shields and Barriers.

Design



TAKER SERIES SHIELD LIGHTS

DURABLE LIGHTING TO KEEP PEOPLE SAFE IN TACTICAL SITUATIONS

Side Slide Picatinny Weapon Light and Flashlight



Taker B10 Shield Light



490 lumen LED light for Picatinny or ballistic shields. This strobe-capable shield light provides military special operations, SWAT teams and law enforcement officers with an effective non-lethal tactical tool.

Rugo™ Drone and Utility Light



T.E.D.D. (Tactical Electronic Distraction Device) Tactical Kit

"The TEDD has given us a solution when Less Lethal is required"
-SWAT TEAM Member



Lumens 2,600 Lumens
Sound 120 dB (at 1m) 4kHz
Battery Life- 60 mins cont. Light & Sound
Power Source- Rechargeable Li-Ion battery

Modes
(8) Programmable Modes
(4) Programmable Activation Delays

Weight 1 lbs (450 g)



Also available in Inferred (IR)

DEPLOYMENT and SOP



PREPARATIONS FOR UTILIZING TEDD

Prior to the use of a TEDD on a deployment, the supervisor on-scene should carefully consider all pertinent information that is reasonably available at the time. The information should include, but is not limited to the following:

- The individual's age or estimate thereof.
- The nature of the suspected offense.
- Any potential danger to the public and/or other officers at the scene if the TEDD is deployed.
- The degree of resistance or threatened resistance, if any, the subject has shown.
- The potential for injury to officers or the public caused by the suspect if the TEDD is not utilized.
- Are there any safety concerns, such as children, elderly, severely physically handicapped persons, pregnant women or explosive gases/liquids.

As circumstances permit, the officer should make every reasonable effort to communicate and coordinate with other involved personnel to minimize the risk to officer(s) and the subject(s) upon entry.

The deploying officer should have the ultimate authority not to deploy the TEDD. The officer will evaluate each situation and determine if the use of a TEDD is technically feasible.

Prior to deploying the TEDD, officers should be trained in the deployment of TEDD and understand the use of TEDD.

BRIEFING/DEPLOYMENT

The use of light/sound diversionary devices such as TEDD have saved many lives, including innocent civilians, officers, and suspects. In order to reduce the potential for injury or property damage, the use of these devices must be properly deployed.

