



CP20

Ag Pup



Stockpile or windrow ◀ Watertight; no leaks ▶ Construction grade or flotation type tires ▶ Low load height

800-779-8099 • 712-546-4409 • sidedump.com

CP20
Ag Pup



CP20

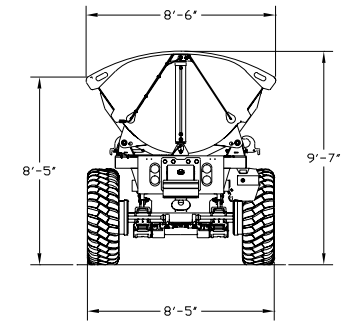
Ag Pup

CP20 SmithCo Side Dump Trailer

Frame Length	32' 11"
Tub Length	24'
Width	8' 6"
Towing Eye	Rotating Bull Pull or Ag Hitch, 2" Drawbar Pin
Pushblock	Standard, 24" Extensions Available
Safety Chains	1/2" Safety Chains w/Safety Hooks
Loading Height	8' 5" (101")
Tub Construction	1/4" Thick AR450 (or equivalent), Round Floor Style Tubs
Frame Construction	80/100 KSI, Fabricated Steel I-Beam
Cylinders	3500 PSI, 5" Bore
Hinges	Self-Aligning, Spherical Bearing Type (greaseable)
Landing Gear	High Clearance
Suspension	Hutch H-900 60,000 lb Single Point
Axles	25,000# Capacity
Hubs	10 Hole, Hub Piloted
Drums	Outboard Mount, Cast Steel
Brakes	None, Hydraulic or Air Optional
Wheels	Tubeless, Steel Disc
Tires	16:00 R 20 Tires (std) 600/55-22.5 Low Ground Pressure (optional)
Lights	12 Volt LED ICC w/Sealed Harness
Paint	Polyurethane, any combination of gray, white or black Special colors available upon request
Net Payload Rating	20 tons
Min. Hydraulic Reqs.	25-30 GPM, 2,600-2,800 PSI, 10 Gallon Reservoir
Min. Tractor HP Reqs.	200hp

CP20 Tub Capacities

	24' Tub
Waterfull	16 cu yd
Heaped	22 cu yd



CP20 Ag Pup

