



# SHV Tub

*Super High Volume*



Created for wet, low density payloads ◀ Stockpile or windrow ▶ Watertight; no leaks

800-779-8099 • 712-546-4409 • [sidedump.com](http://sidedump.com)

**SHV**  
Super High Volume



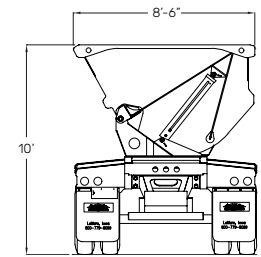
# SHV Tub

## Super High Volume

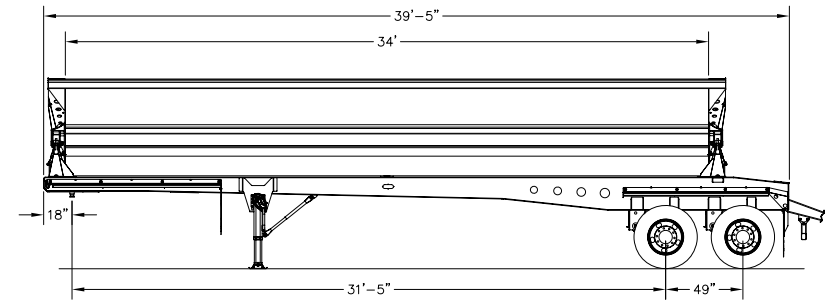
	Model S2-4034 SHV	Model S3-4436 SHV
<b>Frame Length</b>	39' 5"	43' 4"
<b>Tub Length</b>	34'	36'
<b>Width</b>	8' 6"	
<b>Height</b>	10' height across entire trailer	
<b>Tub Construction</b>	3/16" Thick, AR450 Steel Floor (1/4" available) 1/8" Thick, 80 KSI Steel Sides (3/16" 100 KSI available)	
<b>Frame Construction</b>	80/100 KSI, Fabricated Steel I-Beam	
<b>Landing Gear</b>	Heavy Duty, Load Bearing Landing Legs are Standard	
<b>Bumper</b>	Push Bar Type, Bolt-On	
<b>Cylinders</b>	3500 PSI, 5" Bore	
<b>Suspension</b>	Air Ride Suspension Standard Spring Ride Available	
<b>Axles</b>	25,000# Capacity	
<b>Hubs</b>	10 Hole, Hub Piloted	
<b>ABS</b>	2S1M Anti-Lock Brake System	
<b>Drums</b>	Outboard Mount, Cast Steel	
<b>Wheels</b>	Steel Disc, 8.25 x 22.5	
<b>Tires</b>	11 R 22.5 G Radial Tires	
<b>Brakes</b>	16 1/2" x 7"	
<b>Fenders</b>	Front & Rear, 1/4" Synthetic	
<b>Lights</b>	12 Volt LED ICC w/Sealed Harness	
<b>Mud Flap</b>	(4) Polyline Anti-Spray Splash Guard	
<b>Paint</b>	Polyurethane, any combination of gray, white or black Special colors available upon request	
<b>Min. Tractor Hydraulic Reqs.</b>	25-30 GPM, 2,600-2,800 PSI, 10 Gallon Reservoir	

### SHV Tub Capacities

	34' Tub	36' Tub
<b>Waterfull</b>	38 cu yd	40 cu yd
<b>Heaped</b>	<i>Depends on the critical angle of repose of material.</i>	



### Model S2-4034 SHV



### Model S3-4436 SHV

