



sidedump.com

SX3

Three Axle Side Dump

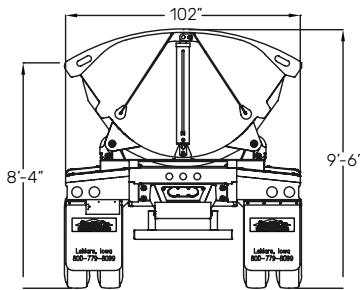


Stockpile or windrow ◀ Watertight; no leaks ▶ Low load height

800-779-8099 or 712-546-4409 • sales@sidedump.com

SX3

Three Axle Side Dump



SX3 Rear View

Common Dimensions

Tub Width	102'
Loading Height	8' 4"

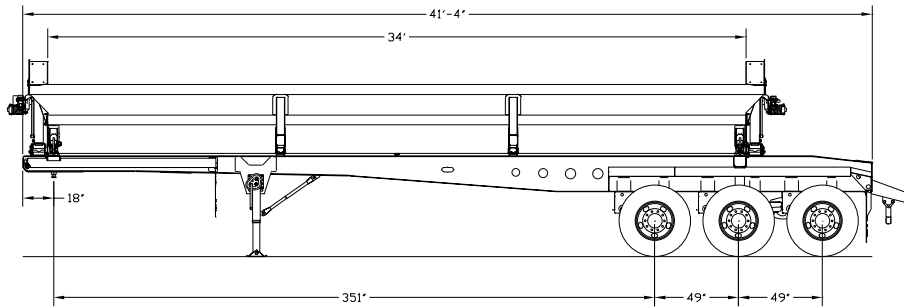
Standard Specifications (multiple options available)

Tub Construction	1/4" Thick, AR450 Steel (or equivalent) 3/16" Thick, AR450 Steel (or equivalent) is optional External Column Supports, No Center Tub Divider
Frame Construction	80/100 KSI, Fabricated Steel I-Beam
Kingpin	2" Kingpin, 18" Setting, Replaceable Type
Landing Gear	Two Speed, Non-Load Bearing
Bumper	Push Bar Type, Bolt-On
Cylinders	3500 PSI, 5" bore
Hinges	Self-Aligning, Spherical Bearing Type (greaseable)
Suspension	Air Ride Suspension Standard; Spring Ride Available
Axles	(3) 25,000# capacity
Hubs	10 Hole, Hub Piloted
ABS	2S1M Anti-Lock Brake System
Drums	Outboard Mount, Cast Steel
Wheels	Steel Disc, 8.25 x 22.5 (12)
Tires	11 R 22.5 H Tires (12)
Brakes	16 1/2" x 7"
Fenders	Front & Rear, 1/4" Synthetic, 7 Degree Slope
Lights	12 Volt LED ICC w/Sealed Harness
Mud Flap	(2) Polyline Anti-Spray Splash Guard w/SmithCo name
Paint	Polyurethane, any combination of gray, white or black Special colors available upon request
Min. Tractor Hydraulic Reqs.	25-30 GPM, 2,600-2,800 PSI, 10 Gallon Reservoir



SX3-4234

Closed Tri-Axle



SX3-4234 Side View

Capacity

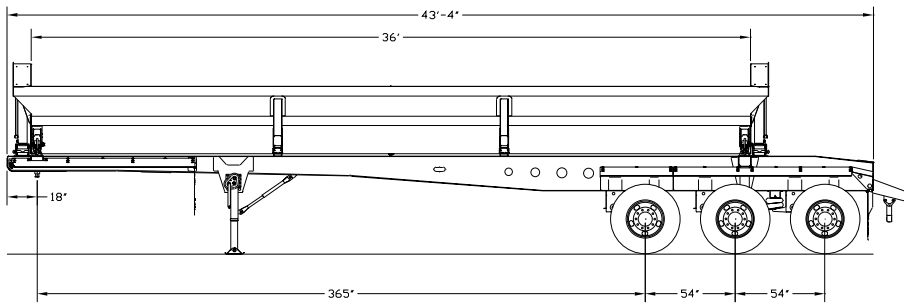
Waterfull 23 cu yd
Heaped 31 cu yd

Dimensions

Frame Length 41' 5"
Tub Length 34'

SX3-4436

Closed Tri-Axle



SX3-4436 Side View

Capacity

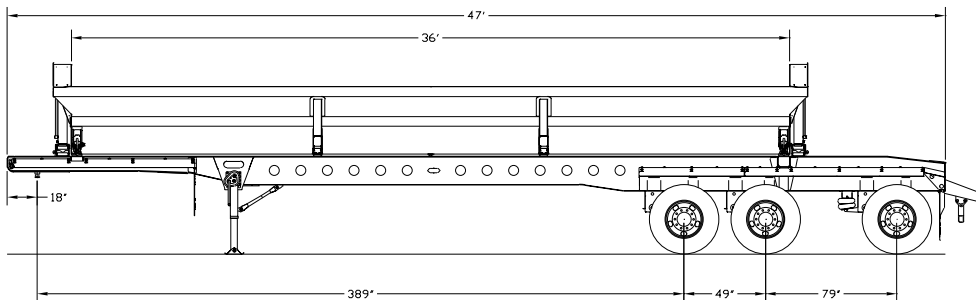
Waterfull 24 cu yd
Heaped 32 cu yd

Dimensions

Frame Length 44'
Tub Length 36'

SX3-4736

Spread Tri-Axle



SX3-4736 Side View

Capacity

Waterfull 24 cu yd
Heaped 32 cu yd

Dimensions

Frame Length 47'
Tub Length 36'



sidedump.com

About SmithCo

For 30 years, we have been engineering and producing the most durable, innovative trailers for superior stability, easier unloading, and faster cycle times than conventional end and side dump trailers.

Our Vision is to deliver the highest-quality, most innovative side dump trailers.

Our family of side dump models should help you find the right solution for your hauling needs. SmithCo's custom manufacturing capabilities will ensure you are working in the safest and most efficient manner.

Our team's exceptional talent, superior manufacturing process, and unmatched customer support make SmithCo trailers the preferred choice among haulers.

Warranty

Our side dump trailers are manufactured with the best commercial practices. SmithCo guarantees its products to be free of defects for 1 year and will replace or repair defective parts, as described in our full warranty.



Customer Service

SmithCo is known for outstanding customer service. If you have a question, we're here to help. Check out our support resources online and get in touch with us directly if you still have questions. Our expert staff are ready to advise on any side dump topic. Let's get you back on the road.



To learn more about how SmithCo, visit our website: sidedump.com



SmithCo, Inc. ◀ 30902 C-38 ▶ PO Box 932 ▶ Le Mars, IA ▶ 51031

800-779-8099 or 712-546-4409 • sales@sidedump.com