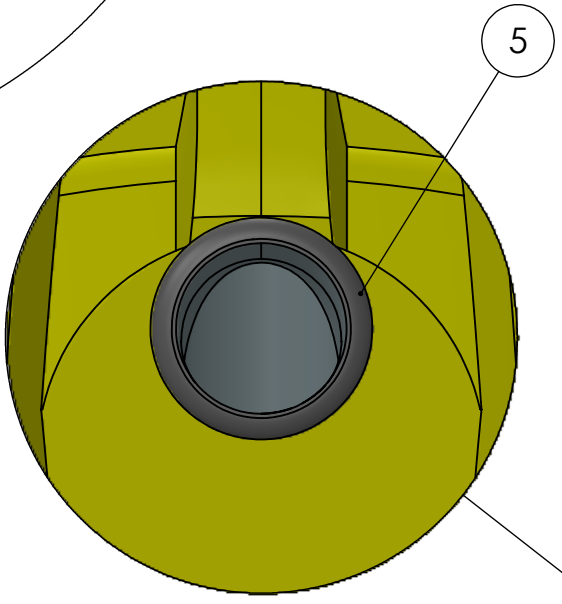


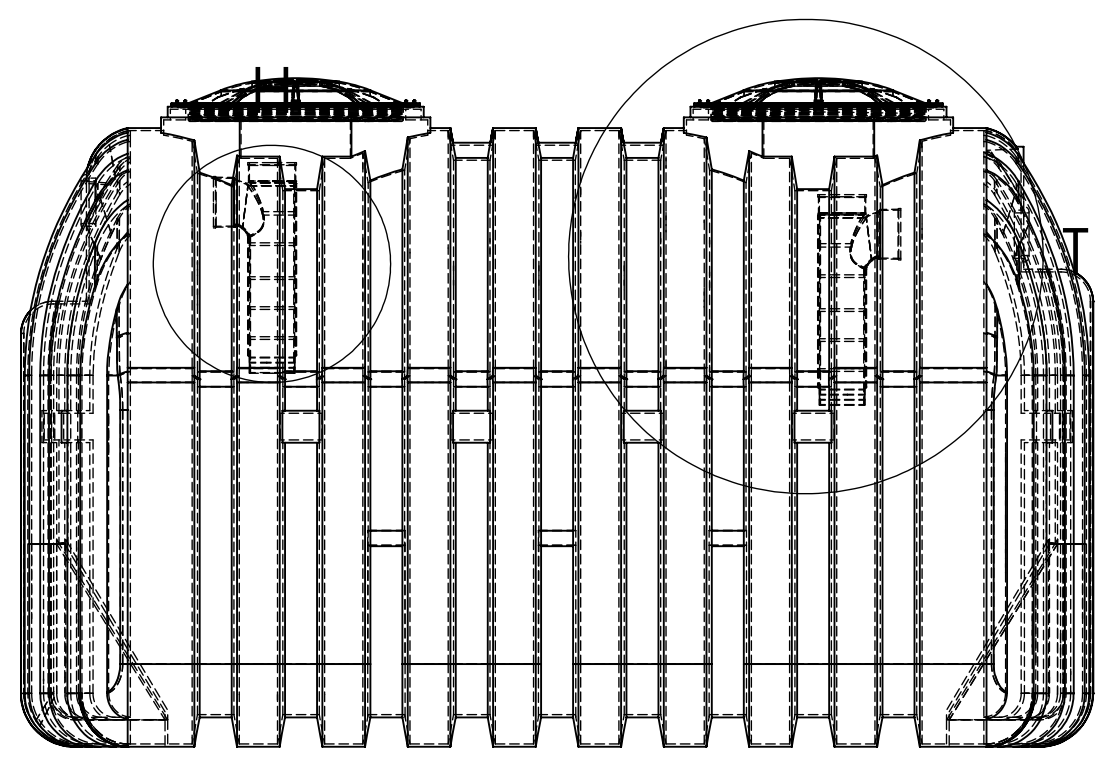
**DETAIL H**  
SCALE 1:9

**DETAIL T**  
SCALE 1:9

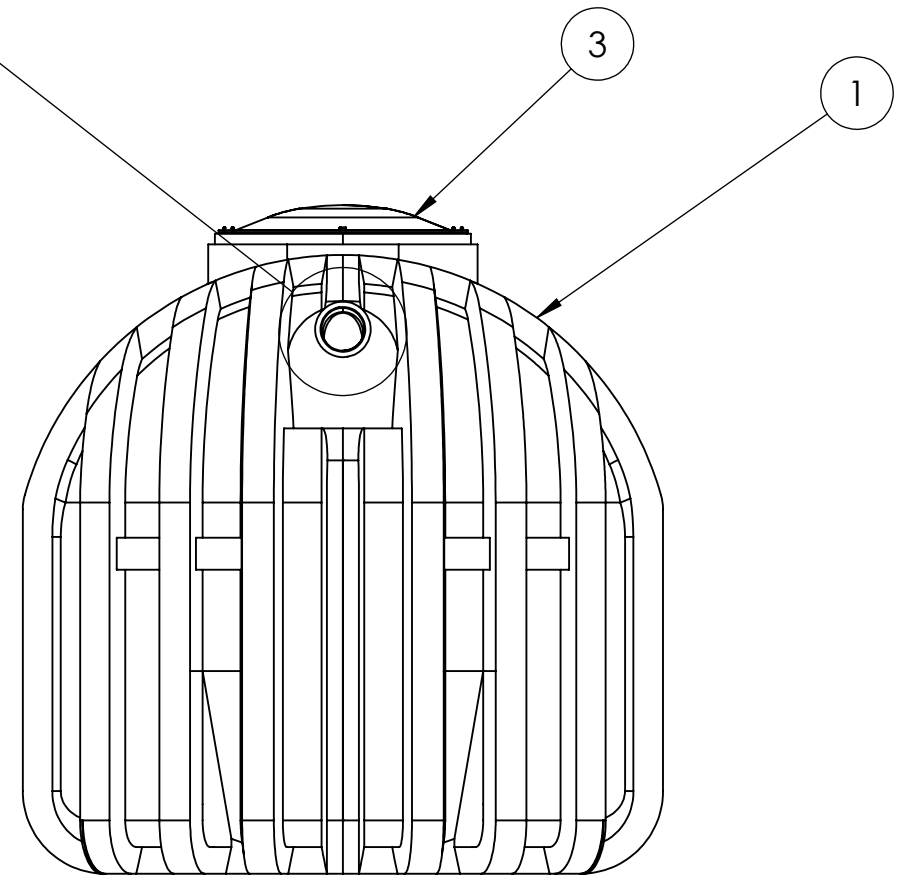


**DETAIL R**  
SCALE 1:4.5

**TOP VIEW**



**SIDE VIEW**



**FRONT VIEW**

ITEM #	MFGR PART #	DESCRIPTION	QTY
1	87-41718	1000g 1C HDPE Septic Tank	1
2	SPL-BR-004	4 Inch Inlet/Outlet Tee	2
3	85-SPL-001-L	20" Black Domed Lid; SS Screws	2
4	WTL-001-FM	Tank Adapter Ring	2
5	85-SPL-ER-G	4 Inch Gasket	2

Complies with FDA standards 21 CFR 177.1520 (1) 3.1 and 3.2  
3 year limited warranty

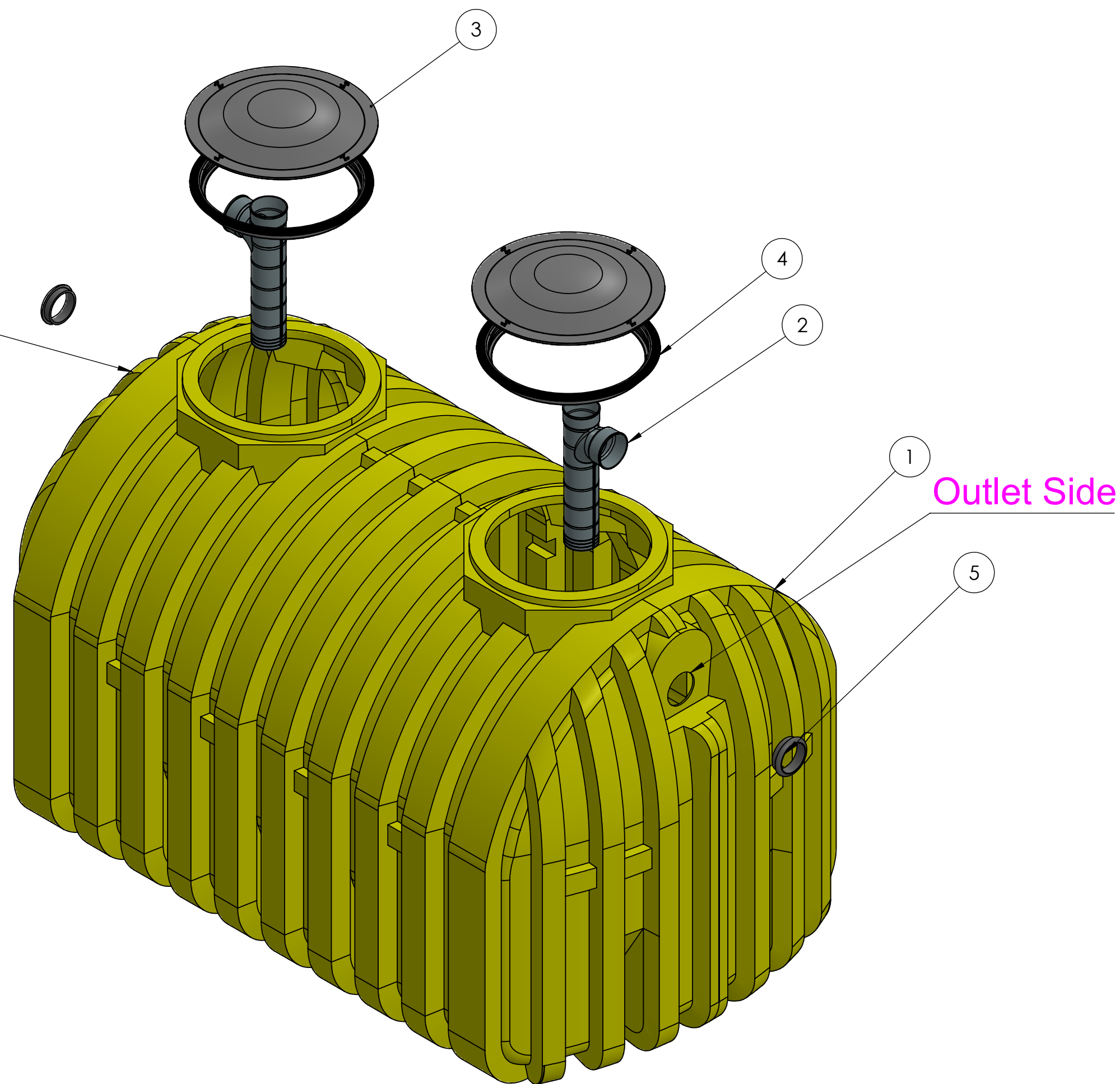
Municipal and County codes may vary from your state approval.  
Please make sure you consult with your local sanitation department  
or plumber on requirements.

UV resistant BPA Free HDPE  
Empty weight: 311  
Shipping Class: 300  
Includes 2 4" tees and gaskets



UNLESS OTHERWISE SPECIFIED: DIMENSIONS ARE IN MILLIMETERS		FINISH:		DEBURR AND BREAK SHARP EDGES		DO NOT SCALE DRAWING		REVISION	
SURFACE FINISH:									
TOLERANCES:									
LINEAR:									
ANGULAR:									
DRAWN	NAME	SIGNATURE	DATE			TITLE:		87-41718 1000 GALLON ONE COMPARTMENT HDPE SEPTIC TANK	
CHKD						DWG. NO.		A2	
APPVD						SCALE: 1:18		SHEET 1 OF 7	
MFG						WEIGHT:			
Q.A.									

Inlet Side



Outlet Side

**Exploded View**

ITEM #	MFGR PART #	DESCRIPTION	QTY
1	87-41718	1000g 1C HDPE Septic Tank	1
2	SPL-BR-004	4 Inch Inlet/Outlet Tee	2
3	85-SPL-001-L	20" Black Domed Lid; SS Screws	2
4	WTL-001-FM	Tank Adapter Ring	2
5	85-SPL-ER-G	4 Inch Gasket	2

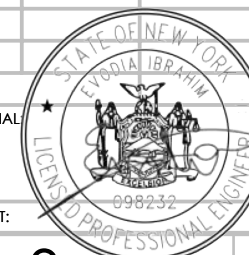
Complies with FDA standards 21 CFR 177.1520 (1) 3.1 and 3.2  
3 year limited warranty

Municipal and County codes may vary from your state approval.  
Please make sure you consult with your local sanitation department  
or plumber on requirements.

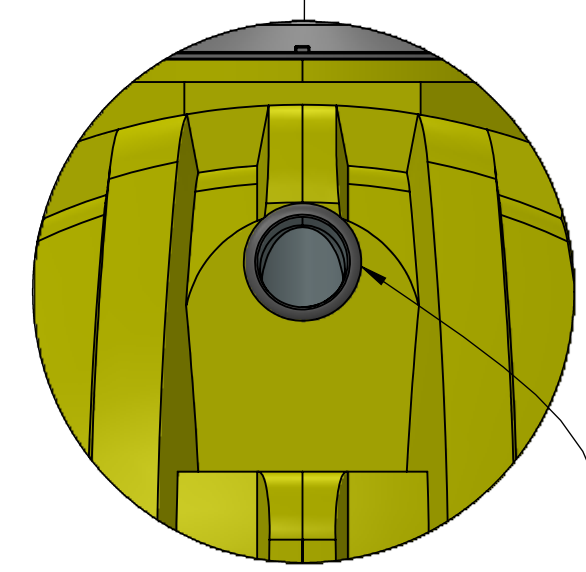
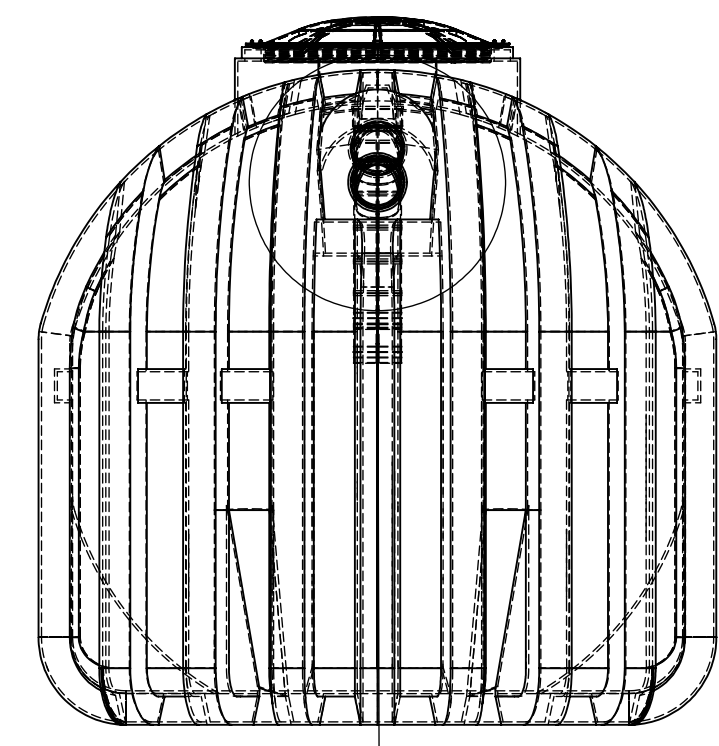
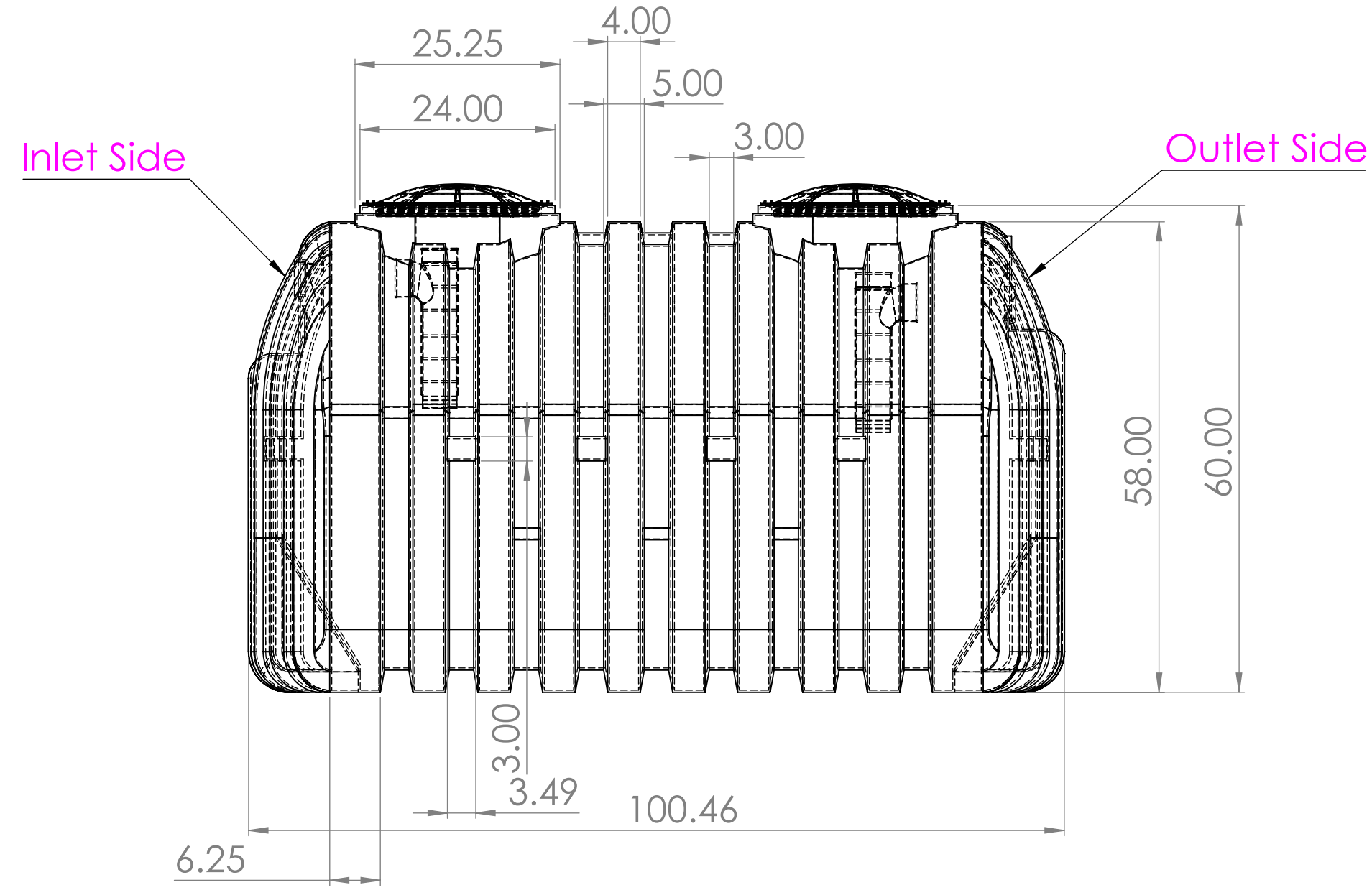
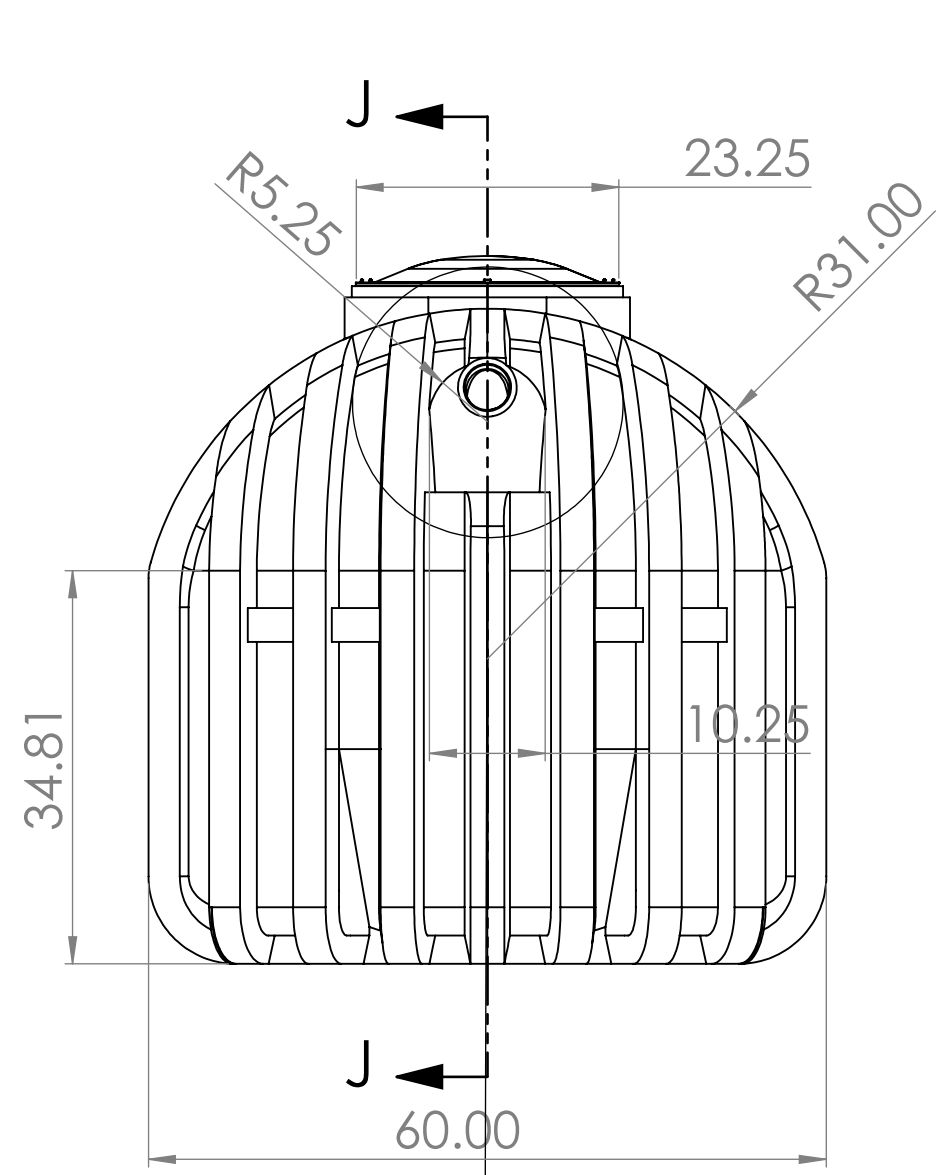
UV resistant BPA Free HDPE  
Empty weight: 311  
Shipping Class: 300  
Includes 2 4" tees and gaskets



UNLESS OTHERWISE SPECIFIED: DIMENSIONS ARE IN MILLIMETERS		FINISH:		DEBURR AND BREAK SHARP EDGES		DO NOT SCALE DRAWING		REVISION	
TOLERANCES: LINEAR: ANGULAR:									
DRAWN	NAME	SIGNATURE	DATE			TITLE:		87-41718 1000 GALLON ONE COMPARTMENT HDPE SEPTIC TANK	
CHKD						DWG NO.		A2	
APPVD						SCALE:1:13		SHEET 2 OF 7	
MFG						WEIGHT:			
Q.A.						MATERIAL:			

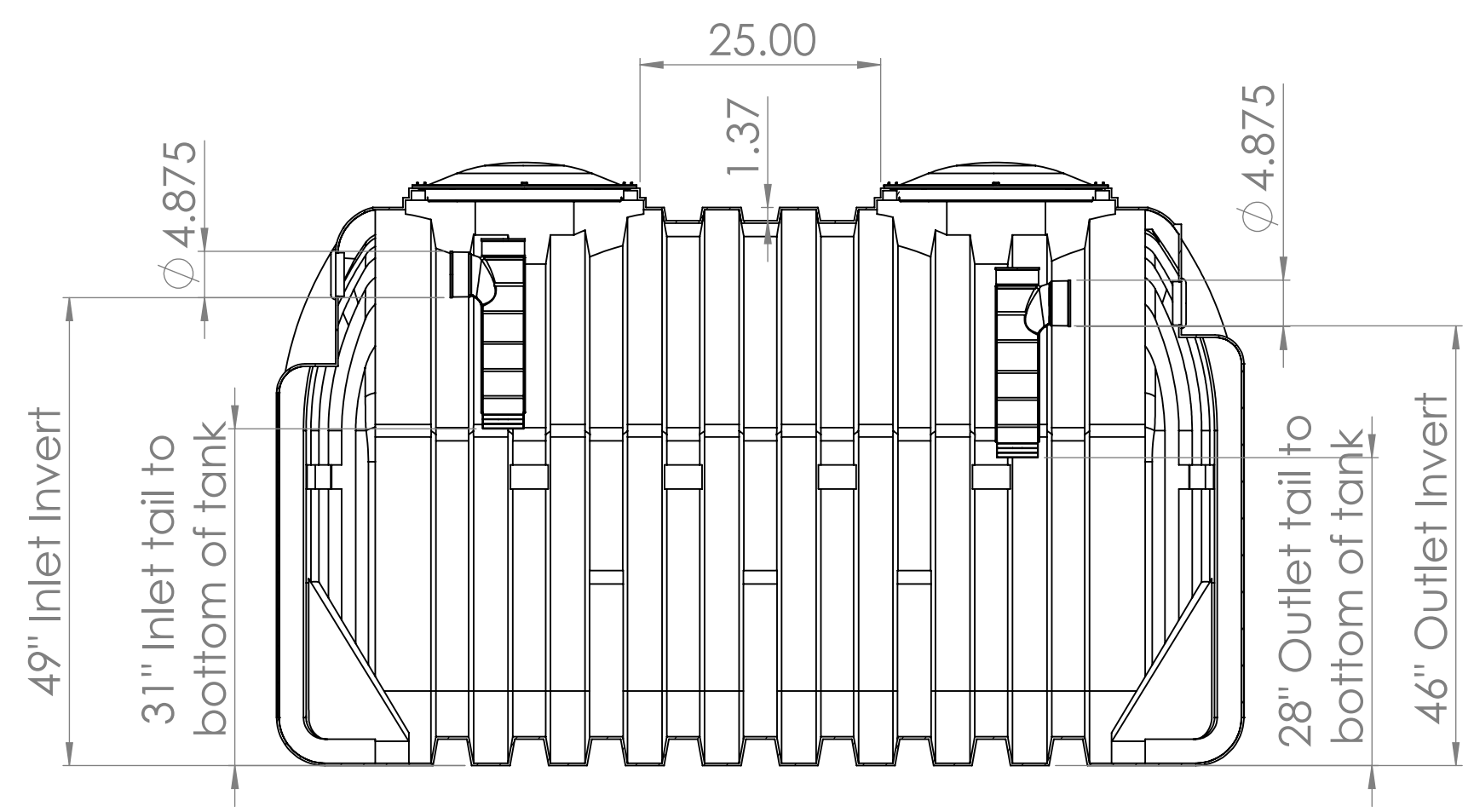




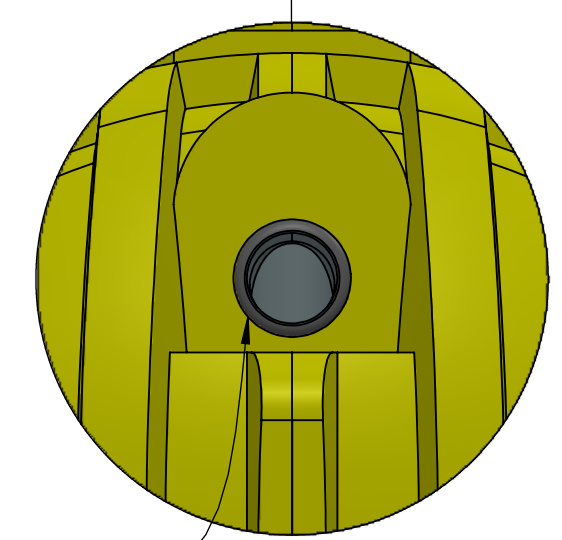


DETAIL W  
SCALE 2 : 17

4" Gasket  
(Inlet Side)



SECTION J-J  
SCALE 1 : 17



DETAIL AA  
SCALE 2 : 17

4" Gasket  
(Outlet Side)

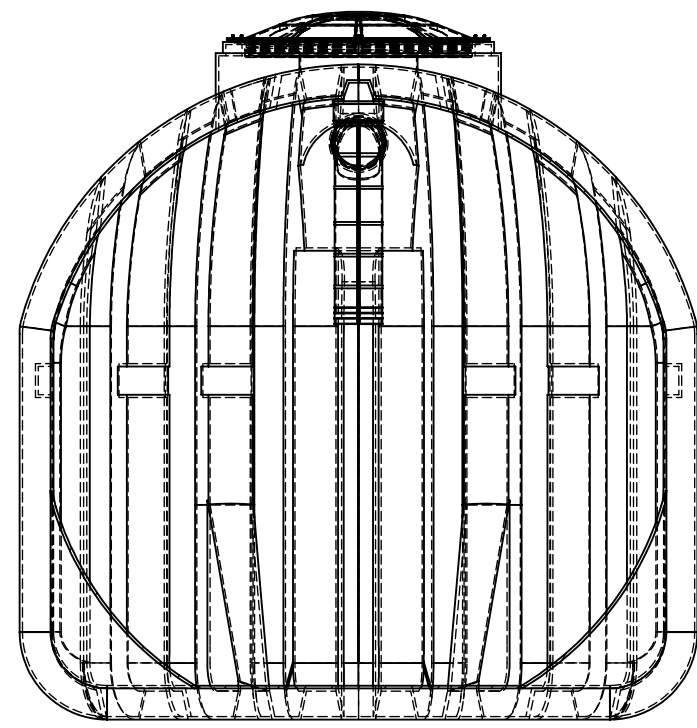
Complies with FDA standards 21 CFR 177.1520 (1) 3.1 and 3.2  
3 year limited warranty

Municipal and County codes may vary from your state approval.  
Please make sure you consult with your local sanitation department  
or plumber on requirements.

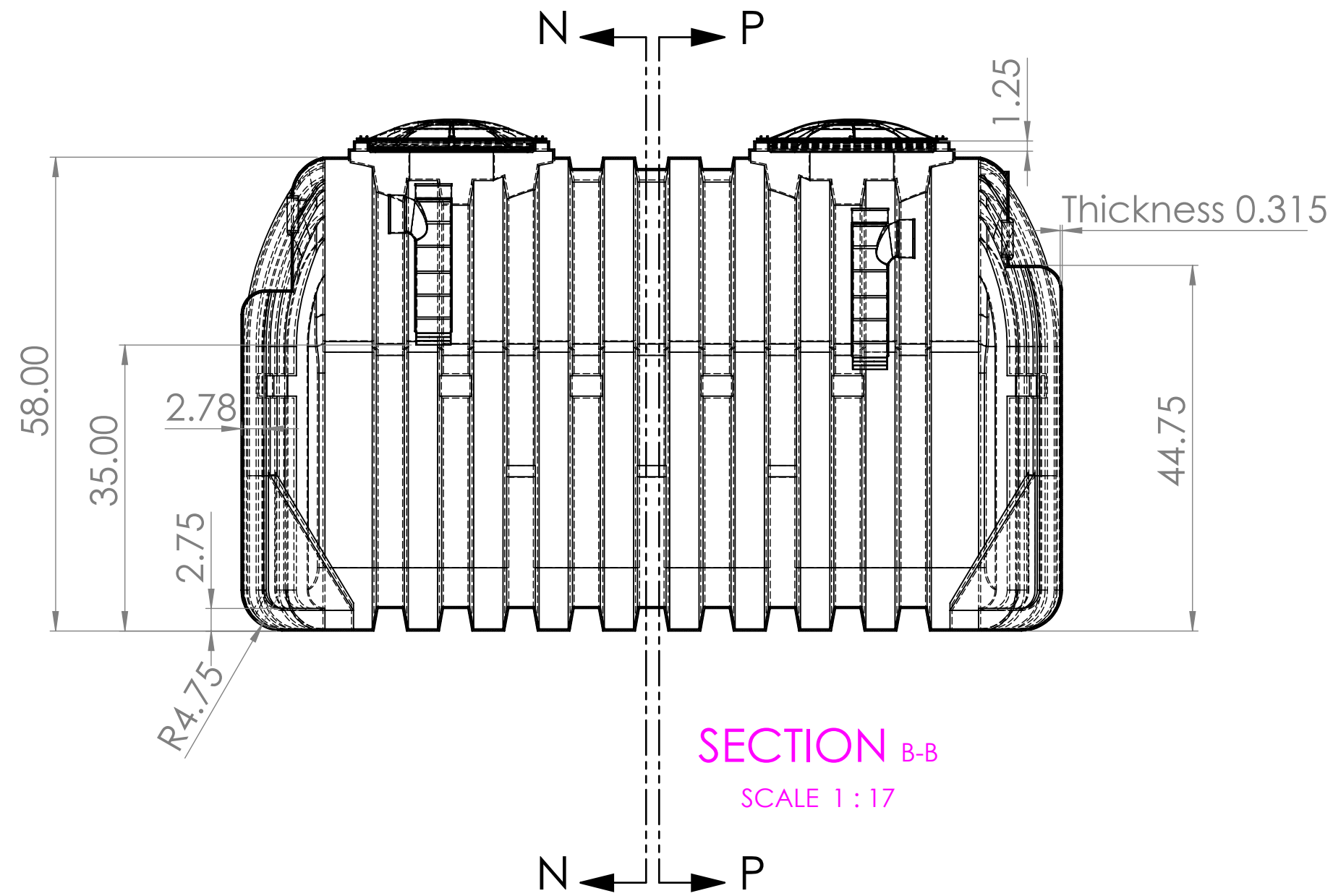
UV resistant BPA Free HDPE  
Empty weight: 311  
Shipping Class: 300  
Includes 2 4" tees and gaskets



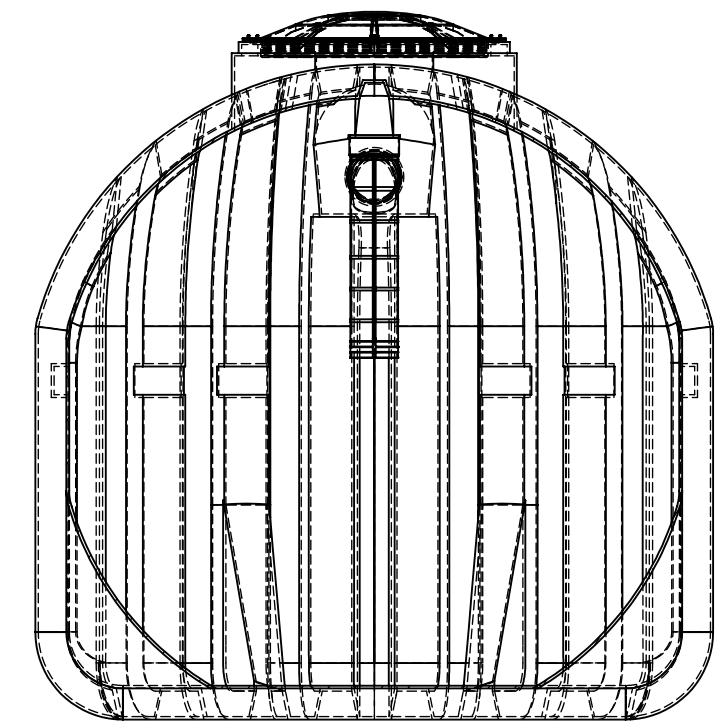
UNLESS OTHERWISE SPECIFIED: DIMENSIONS ARE IN MILLIMETERS			FINISH:			DEBURR AND BREAK SHARP EDGES			DO NOT SCALE DRAWING		REVISION		
SURFACE FINISH:													
TOLERANCES:													
LINEAR:													
ANGULAR:													
DRAWN		NAME		SIGNATURE		DATE				TITLE:		87-41718 1000 GALLON ONE COMPARTMENT HDPE SEPTIC TANK	
CHKD										DWG NO.		A2	
APPVD										SCALE: 1:18		SHEET 3 OF 7	
MFG													
Q.A.													
WEIGHT:													



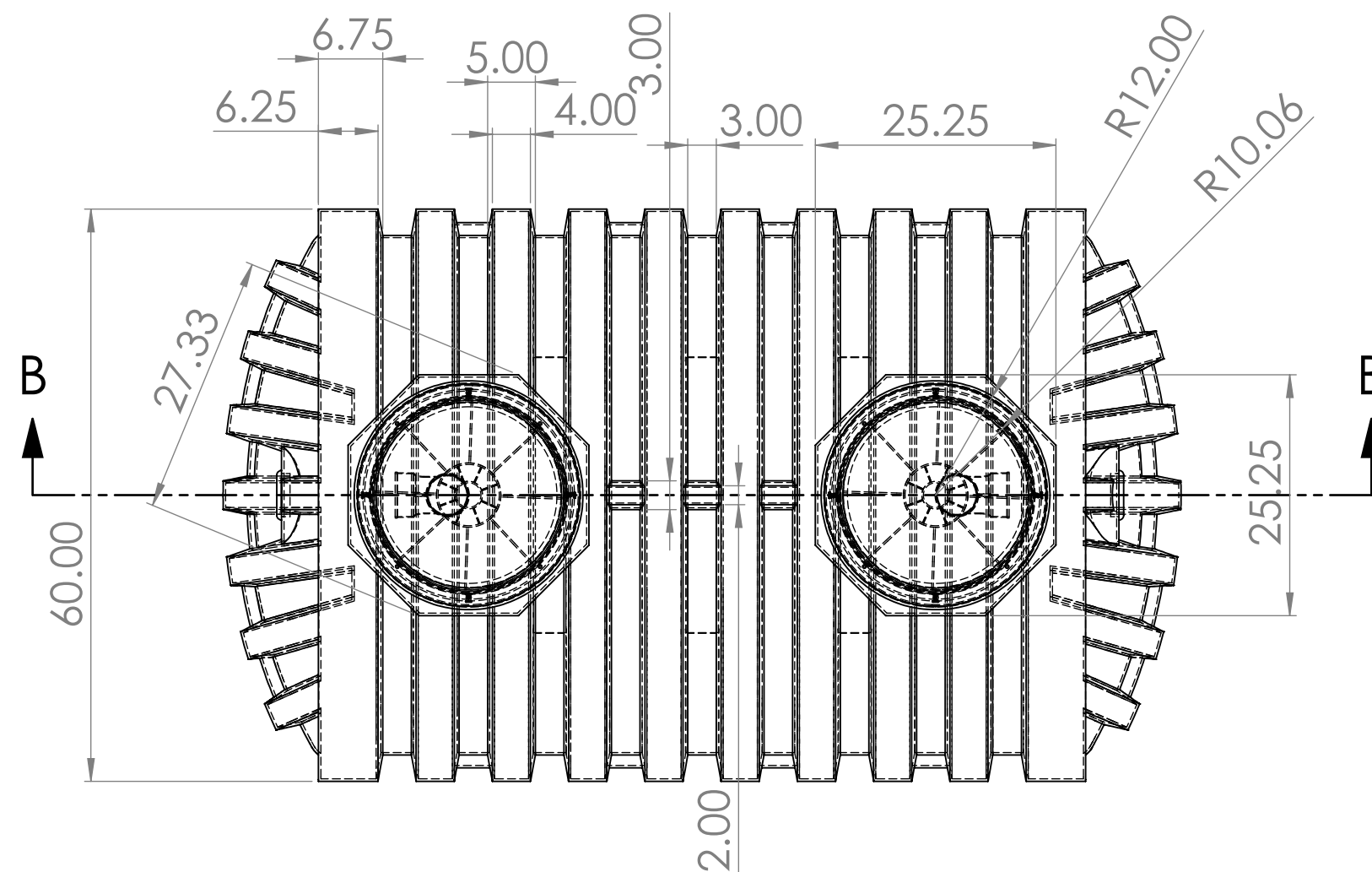
SECTION N-N  
SCALE 1:17  
Inlet side



SECTION B-B  
SCALE 1:17



SECTION P-P  
SCALE 1:17  
Outlet side



Complies with FDA standards 21 CFR 177.1520 (1) 3.1 and 3.2  
3 year limited warranty

Municipal and County codes may vary from your state approval.  
Please make sure you consult with your local sanitation department  
or plumber on requirements.

UV resistant BPA Free HDPE  
Empty weight: 311  
Shipping Class: 300  
Includes 2 4" tees and gaskets



UNLESS OTHERWISE SPECIFIED: DIMENSIONS ARE IN MILLIMETERS			FINISH:			DEBURR AND BREAK SHARP EDGES			DO NOT SCALE DRAWING		REVISION
TOLERANCES: LINEAR: ANGULAR:									TITLE: 87-41718 1000 GALLON ONE COMPARTMENT HDPE SEPTIC TANK		
DRAWN	NAME	SIGNATURE	DATE						DWG NO.		A2
CHKD											
APPVD											
MFG											
Q.A.											
WEIGHT:						SCALE: 1:18			SHEET 4 OF 7		

