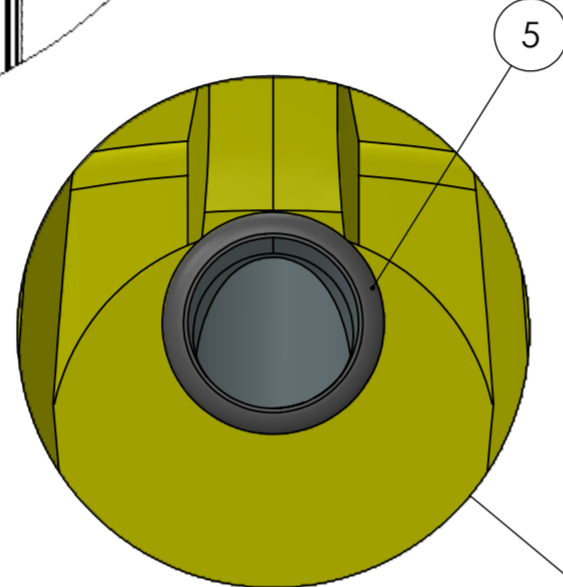
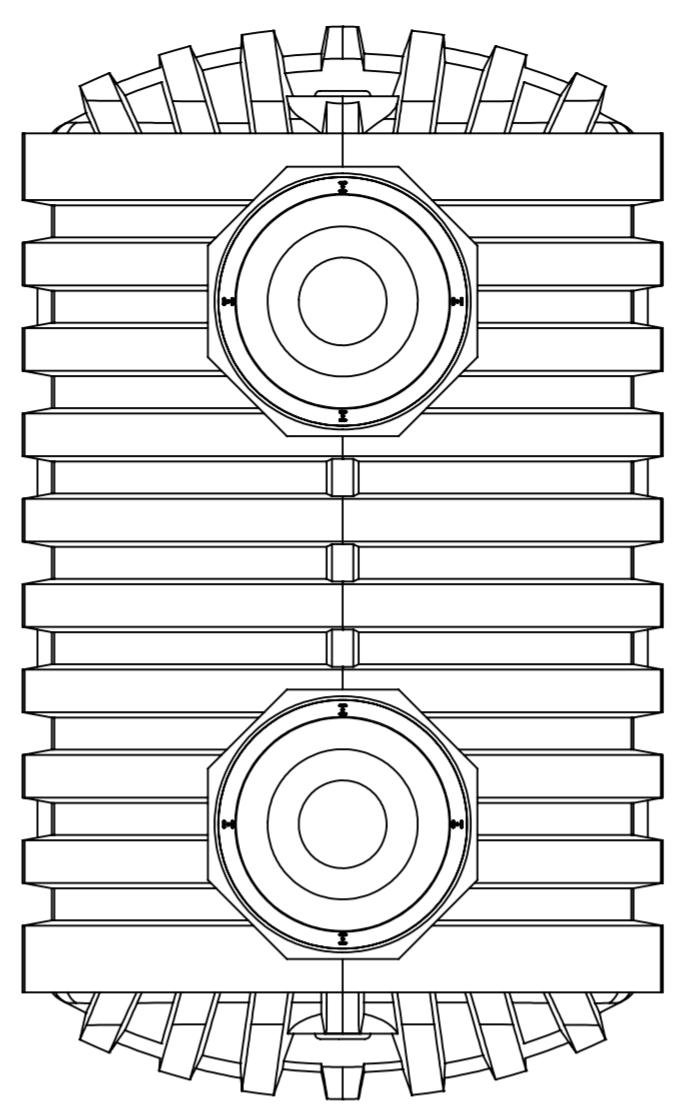


**DETAIL H**  
SCALE 1:9

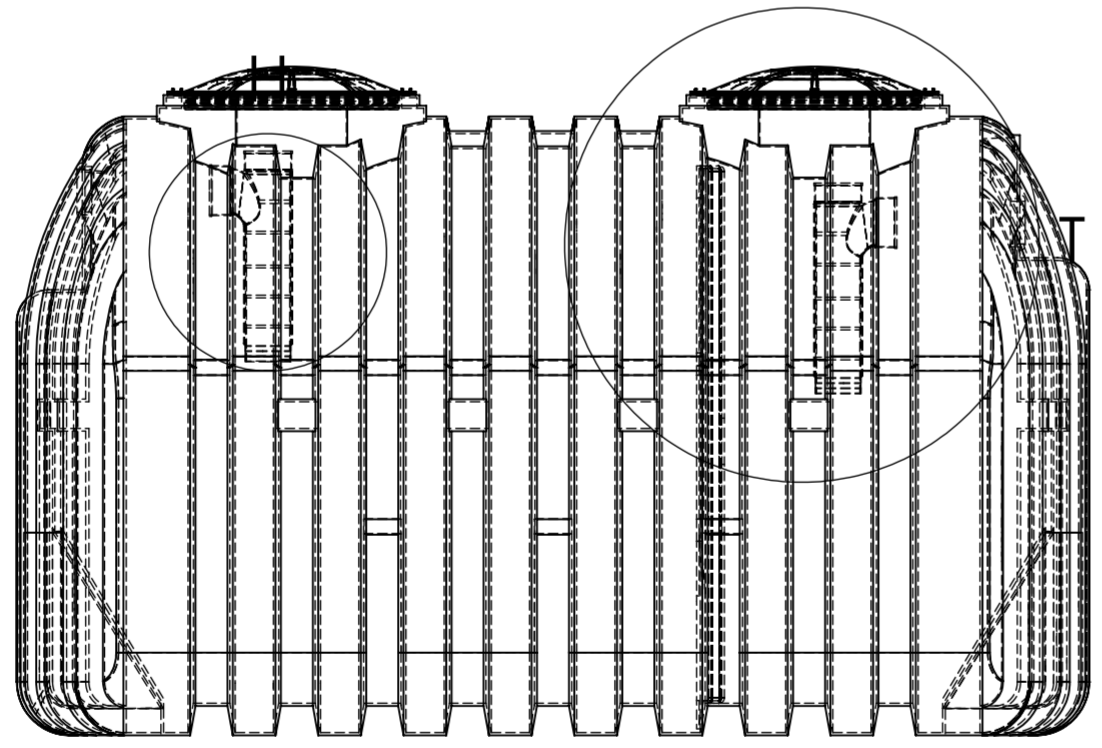
**DETAIL T**  
SCALE 1:9



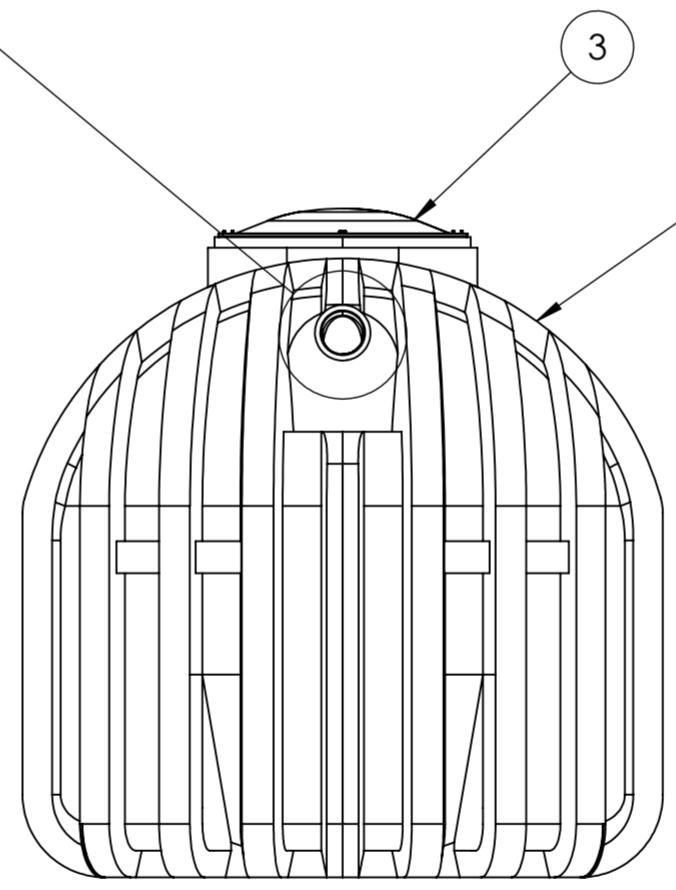
**DETAIL R**  
SCALE 1:4.5



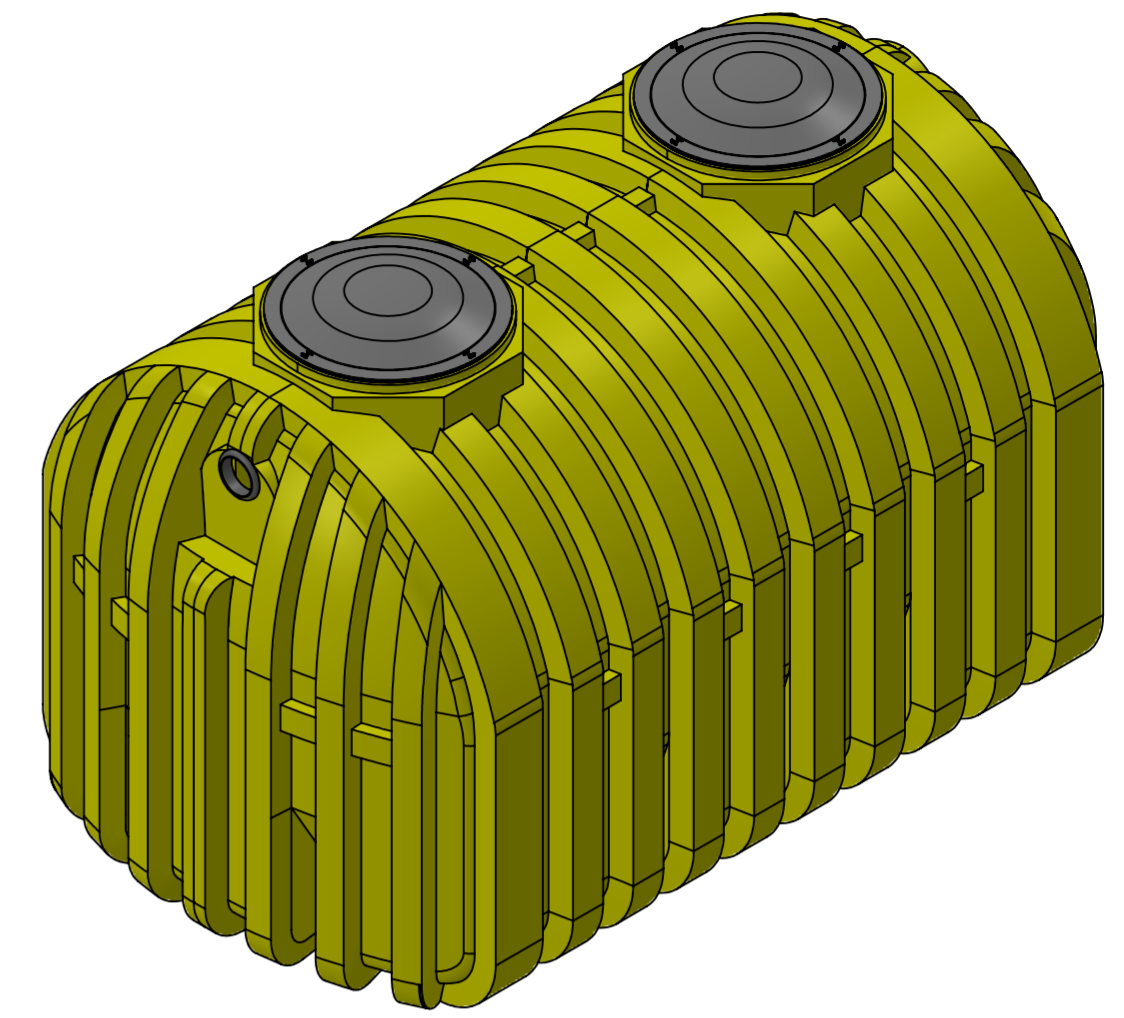
**TOP VIEW**



**VIEW**



**FRONT VIEW**



**Operating Volume (Gls)**  
Primary Compartment: 670  
Secondary Compartment: 330

Complies with FDA standards 21 CFR 177.1520 (1) 3.1 and 3.2  
3 year limited warranty

Municipal and County codes may vary from your state approval.  
Please make sure you consult with your local sanitation department  
or plumber on requirements.

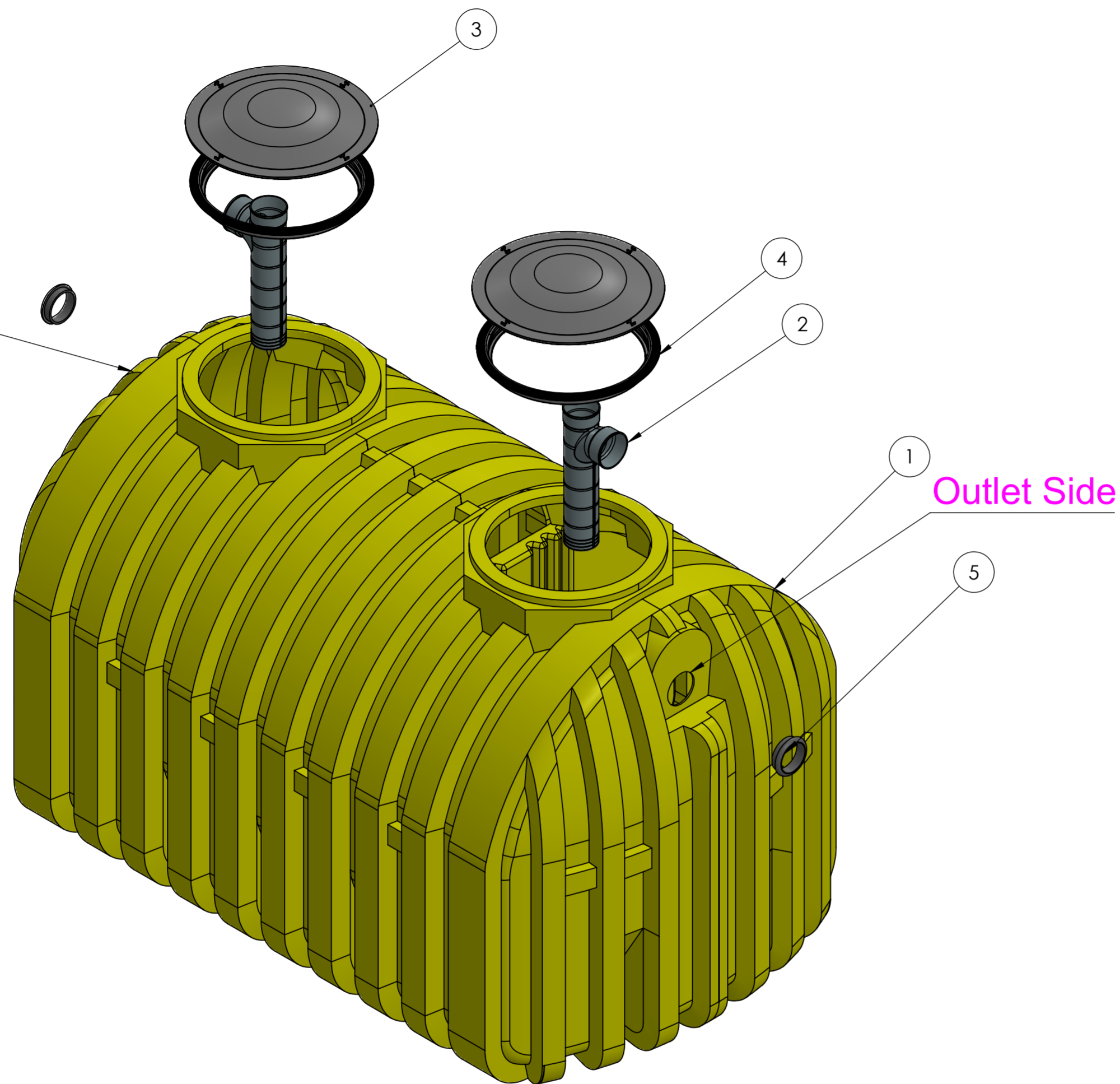
UV resistant BPA Free HDPE  
Empty weight: 311  
Shipping Class: 300  
Includes 2 4" tees and gaskets



ITEM #	MFGR PART #	DESCRIPTION	QTY
1	87-41720	1000g 2C HDPE Septic Tank	1
2	SPL-BR-004	4 Inch Inlet/Outlet Tee	2
3	85-SPL-001-L	20" Black Domed Lid; SS Screws	2
4	WTL-001-FM	Tank Adapter Ring	2
5	85-SPL-ER-G	4 Inch Gasket	2

UNLESS OTHERWISE SPECIFIED: DIMENSIONS ARE IN MILLIMETERS		FINISH:		DEBURR AND BREAK SHARP EDGES		DO NOT SCALE DRAWING		REVISION	
SURFACE FINISH:		TOLERANCES:		LINEAR:		ANGULAR:		TITLE: 87-41720 1000 GALLON TWO COMPARTMENT HDPE SEPTIC TANK	
DRAWN	NAME	SIGNATURE	DATE	MATERIAL:		DWG NO.		A2	
CHK'D				WEIGHT:		SCALE:1:18		SHEET 1 OF 7	
APP'VD				STATE OF NEW YORK REGISTERED PROFESSIONAL ENGINEER 098232					
MFG									
Q.A.									

Inlet Side



**Exploded View**

Operating Volume (Gls)  
 Primary Compartment: 670  
 Secondary Compartment: 330

Complies with FDA standards 21 CFR 177.1520 (1) 3.1 and 3.2  
 3 year limited warranty

Municipal and County codes may vary from your state approval.  
 Please make sure you consult with your local sanitation department  
 or plumber on requirements.

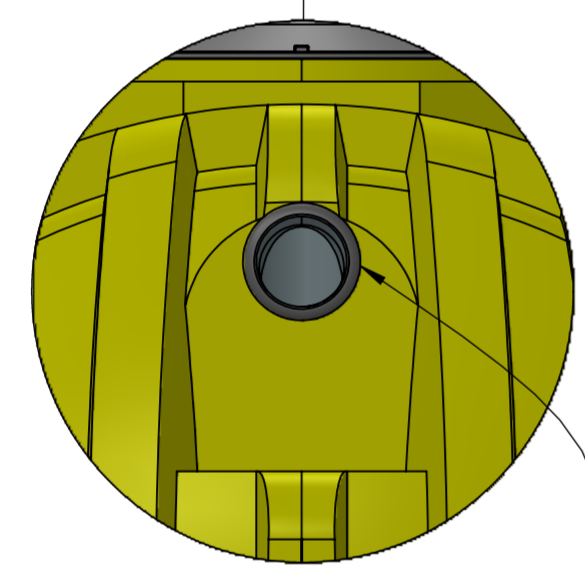
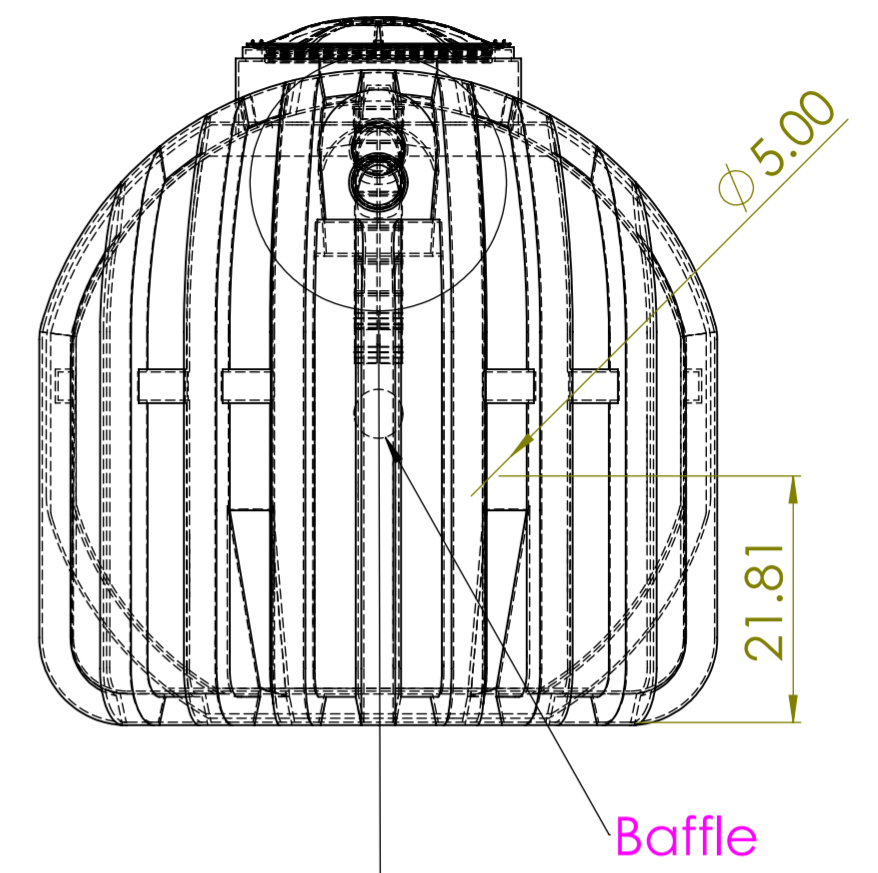
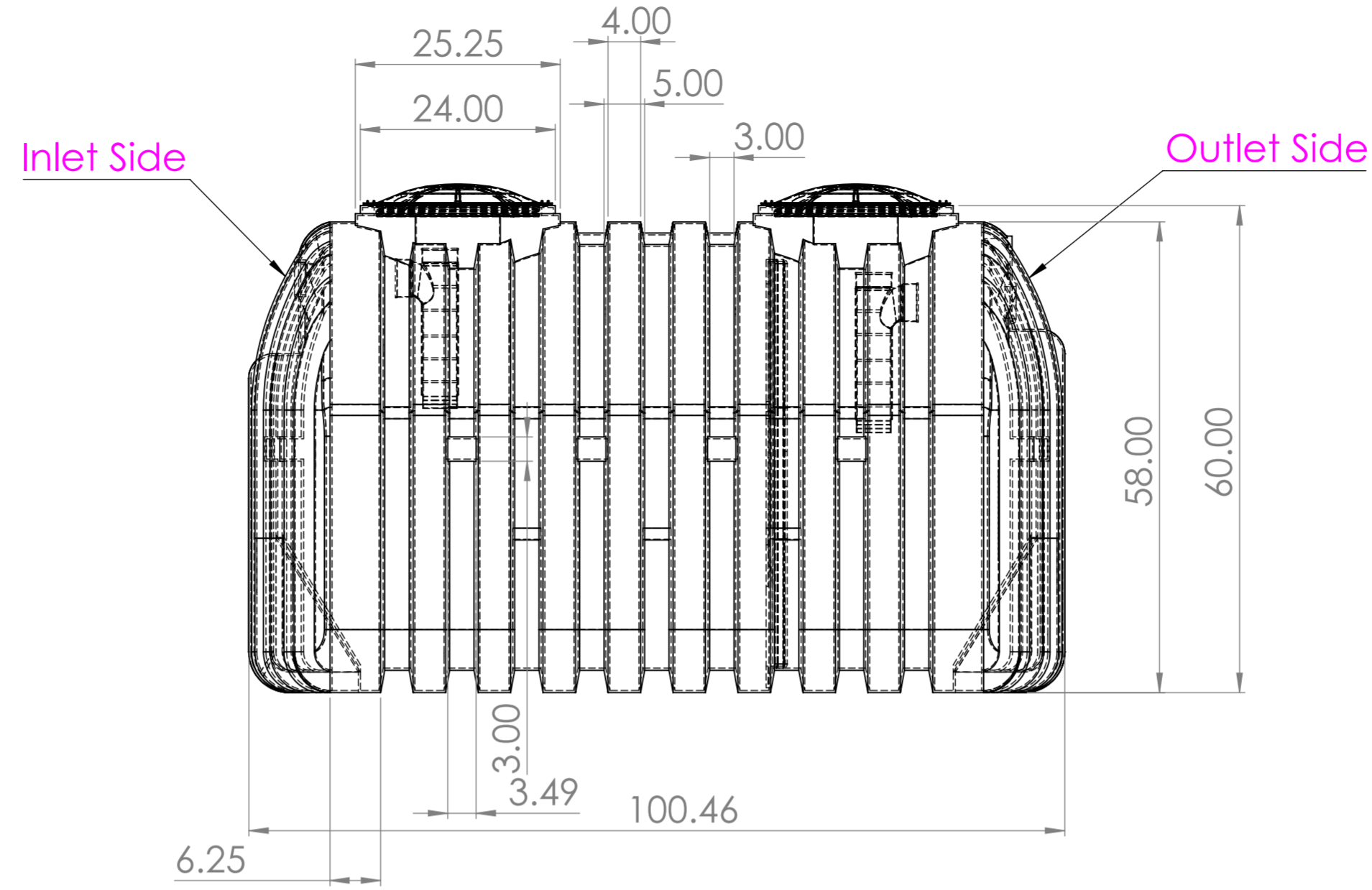
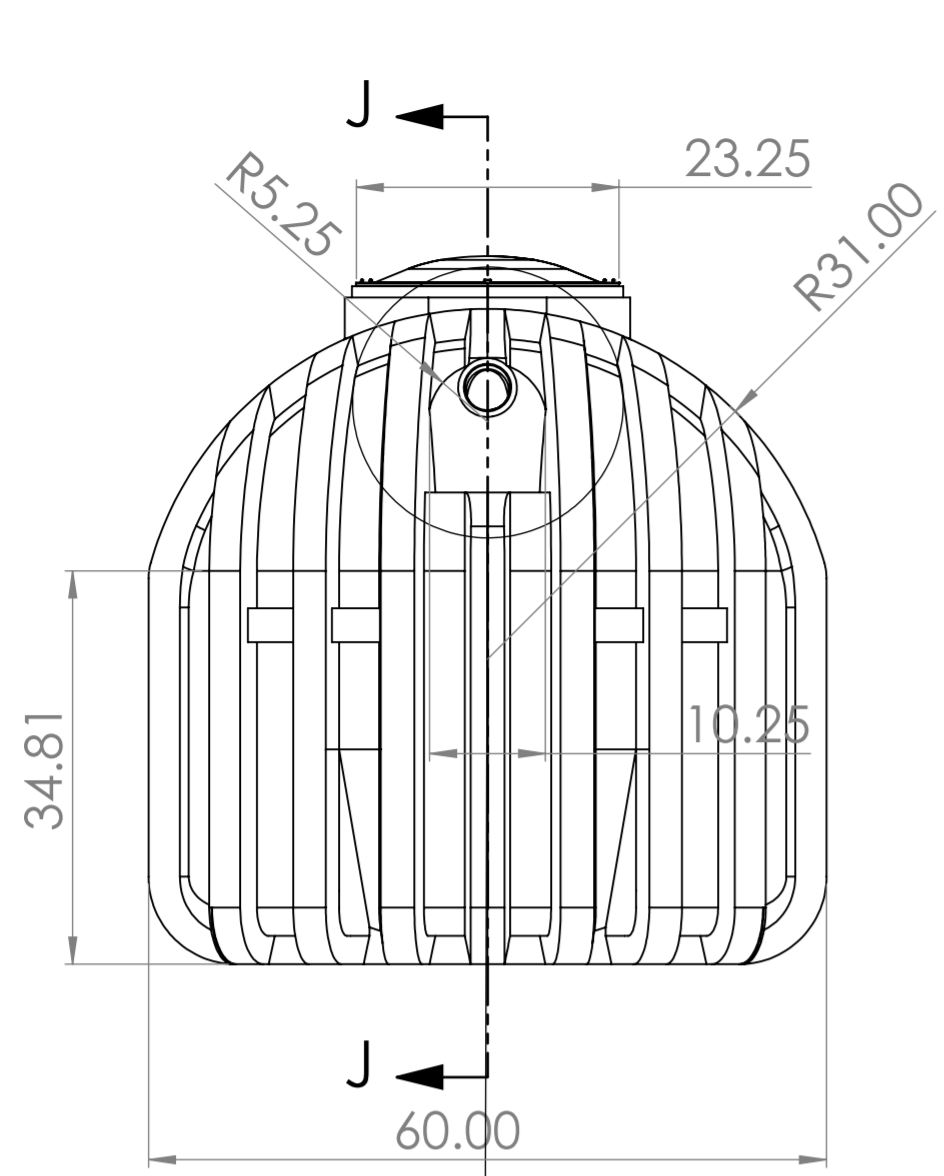
UV resistant BPA Free HDPE  
 Empty weight: 311  
 Shipping Class: 300  
 Includes 2 4" tees and gaskets



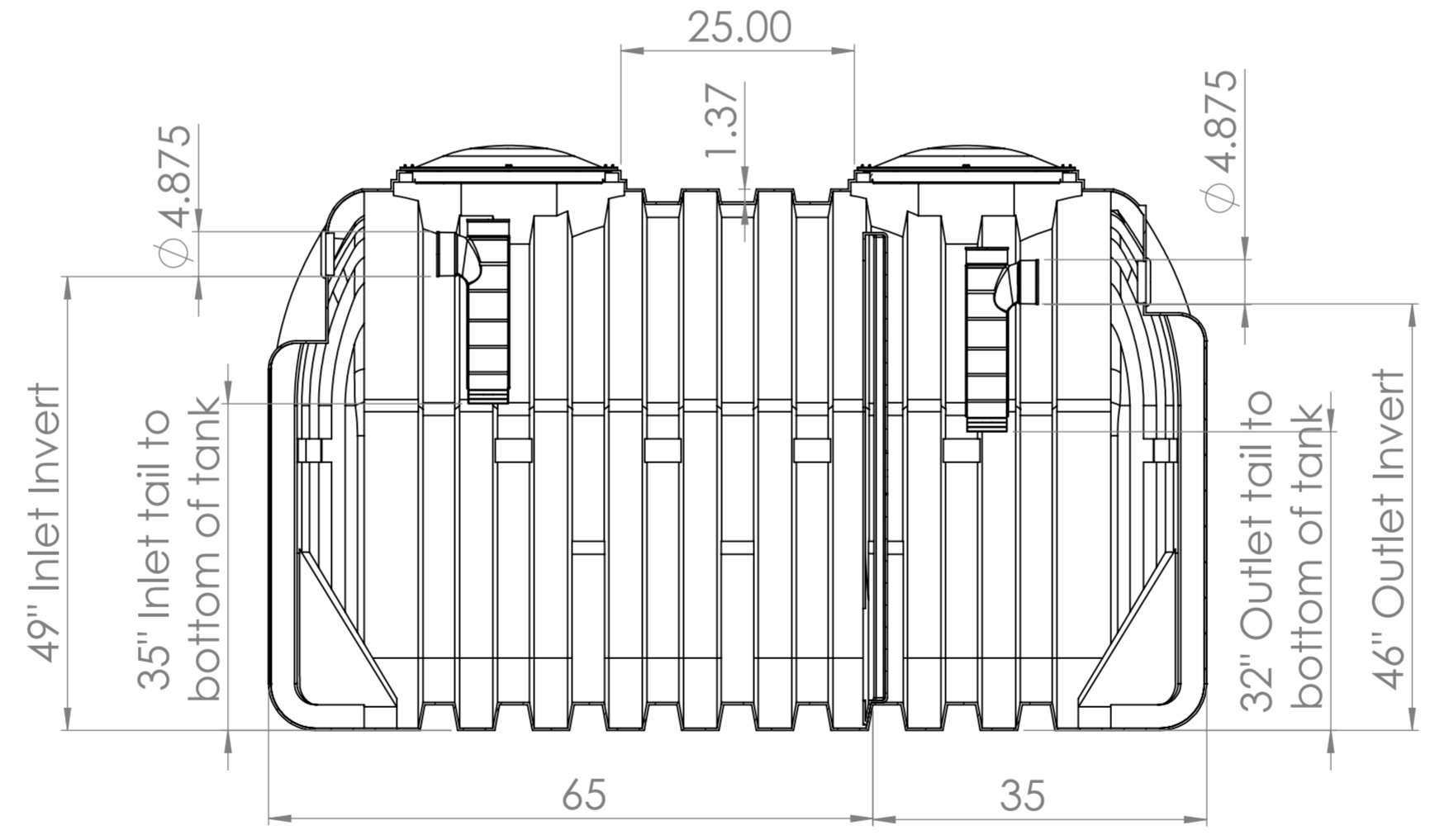
ITEM #	MFGR PART #	DESCRIPTION	QTY
1	87-41720	1000g 2C HDPE Septic Tank	1
2	SPL-BR-004	4 Inch Inlet/Outlet Tee	2
3	85-SPL-001-L	20" Black Domed Lid; SS Screws	2
4	WTL-001-FM	Tank Adapter Ring	2
5	85-SPL-ER-G	4 Inch Gasket	2

UNLESS OTHERWISE SPECIFIED: DIMENSIONS ARE IN MILLIMETERS		FINISH:		DEBURR AND BREAK SHARP EDGES		DO NOT SCALE DRAWING		REVISION	
SURFACE FINISH:		TOLERANCES:		LINEAR:		ANGULAR:		TITLE: 87-41720 1000 GALLON TWO COMPARTMENT HDPE SEPTIC TANK	
DRAWN	NAME	SIGNATURE	DATE	MATERIAL: 098232		DWG NO.		A2	
CHKD				STATE OF NEW YORK SEAL OF PROFESSIONAL ENGINEER		SCALE: 1:13		SHEET 2 OF 7	
APPVD				WEIGHT:					
MFG									
Q.A.									

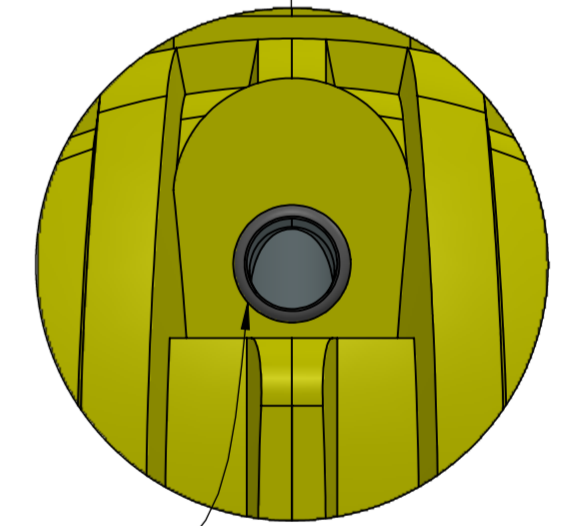




DETAIL W  
SCALE 2 : 17



SECTION J-J  
SCALE 1 : 17



DETAIL AA  
SCALE 2 : 17

4" Gasket  
(Inlet Side)

4" Gasket  
(Outlet Side)

Operating Volume (Glns)  
Primary Compartment: 670  
Secondary Compartment: 330

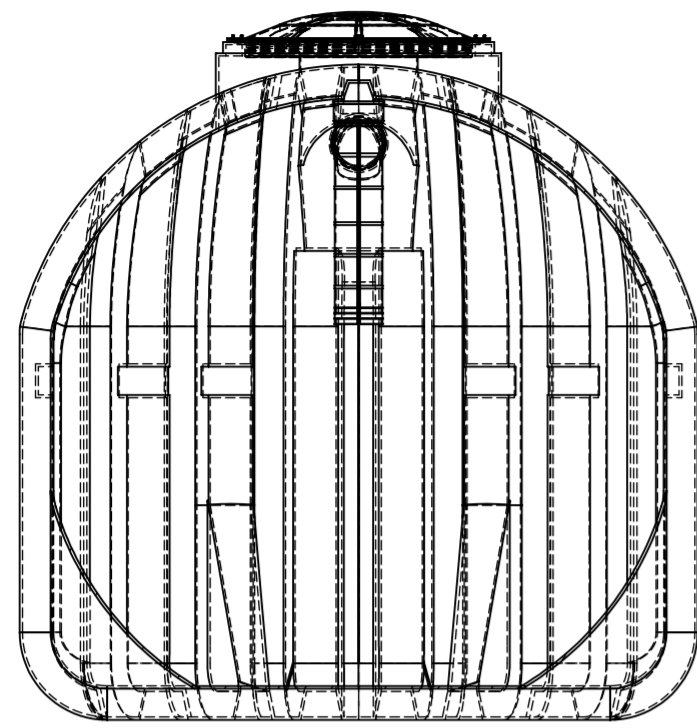
Complies with FDA standards 21 CFR 177.1520 (1) 3.1 and 3.2  
3 year limited warranty

Municipal and County codes may vary from your state approval.  
Please make sure you consult with your local sanitation department  
or plumber on requirements.

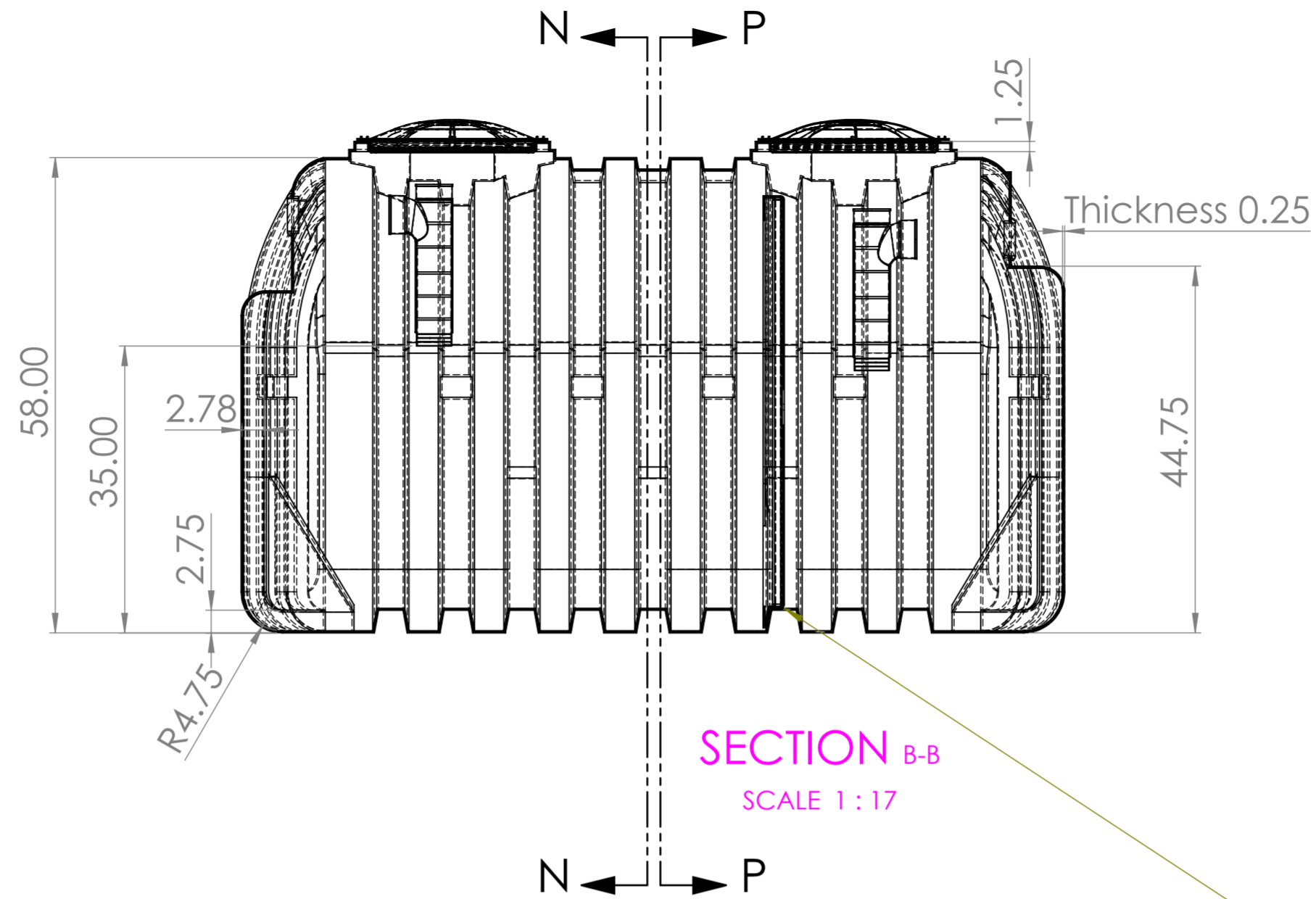
UV resistant BPA Free HDPE  
Empty weight: 311  
Shipping Class: 300  
Includes 2 4" tees and gaskets



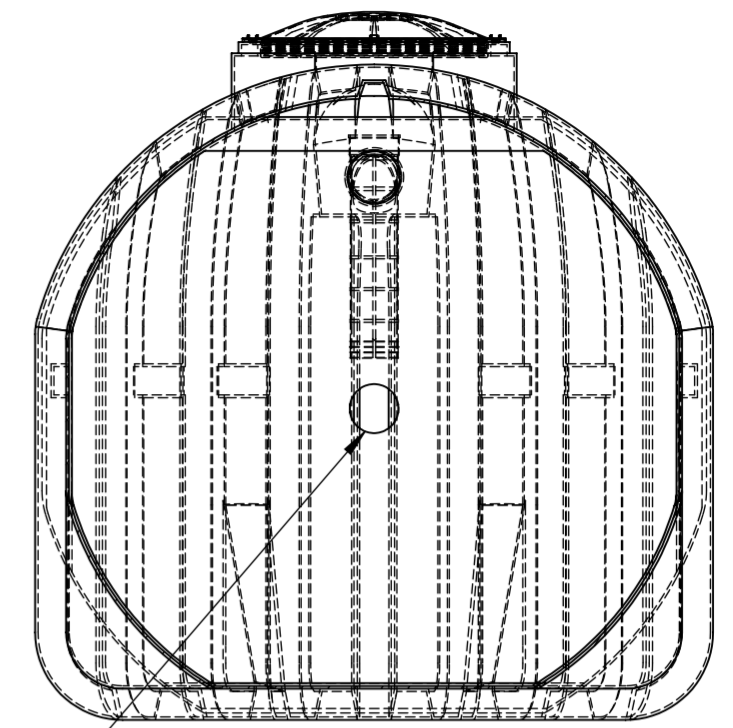
UNLESS OTHERWISE SPECIFIED: DIMENSIONS ARE IN MILLIMETERS SURFACE FINISH: TOLERANCES: LINEAR: ANGULAR:			FINISH:	DEBURR AND BREAK SHARP EDGES	DO NOT SCALE DRAWING	REVISION
DRAWN				TITLE:		
CHKD				87-41720 1000 GALLON TWO COMPARTMENT HDPE SEPTIC TANK		
APPVD				DWG NO.		
MFG				SCALE:1:17		
Q.A.				SHEET 3 OF 7		
NAME	SIGNATURE	DATE	WEIGHT:		A2	



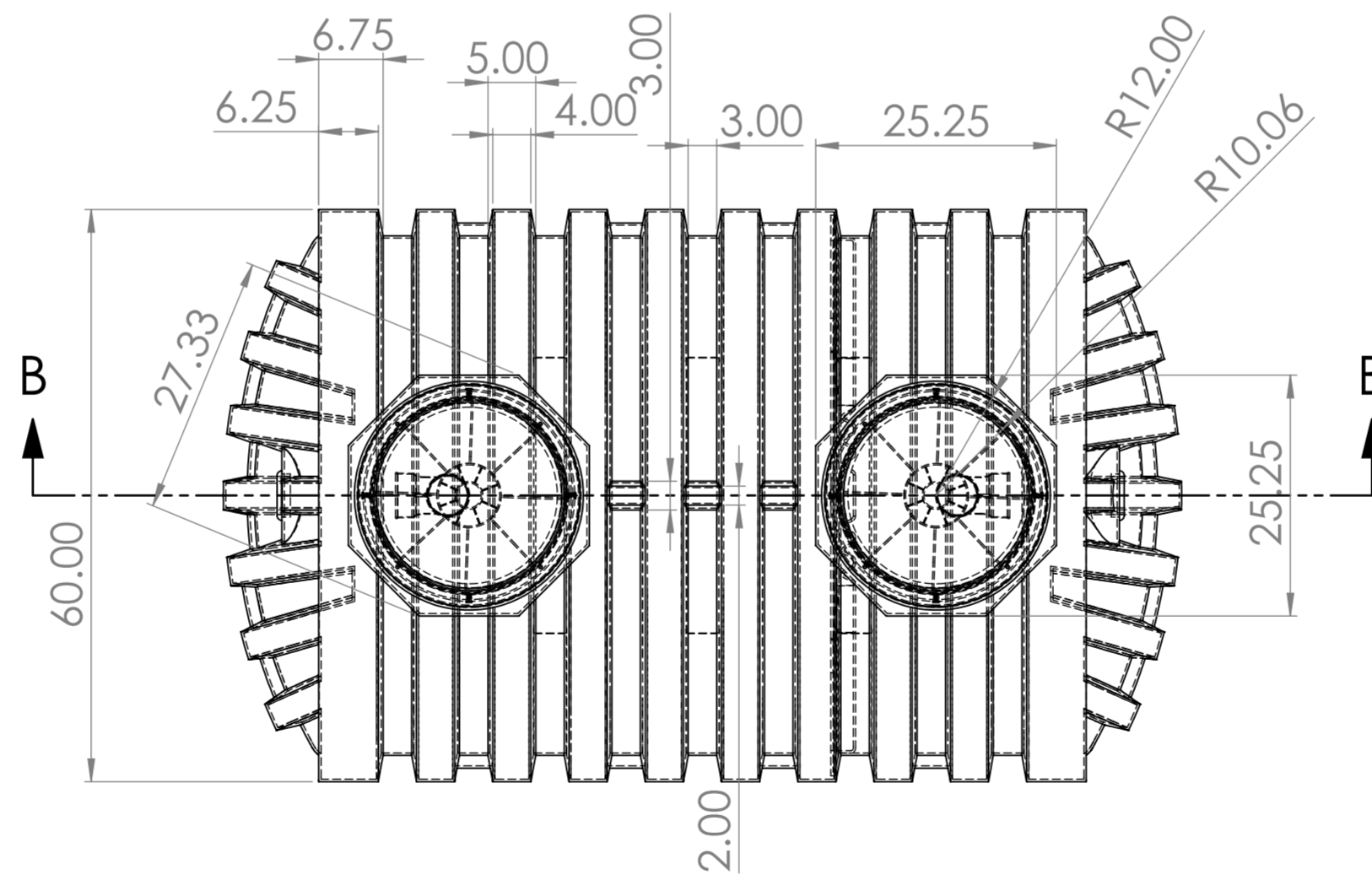
**SECTION N-N**  
SCALE 1:17  
Inlet side



**SECTION B-B**  
SCALE 1:17



**SECTION P-P**  
SCALE 1:17  
Outlet side



Baffle

**Baffle placement:**  
65" from side wall to  
baffle on 2/3 (inlet) side;  
35" from side wall to  
baffle on 1/3 (outlet)  
side. 53.1" tall x 59.3"  
wide x 2.6" deep.

**Operating Volume (Gls)**  
Primary Compartment: 670  
Secondary Compartment: 330

Complies with FDA standards 21 CFR 177.1520 (1) 3.1 and 3.2  
3 year limited warranty

Municipal and County codes may vary from your state approval.  
Please make sure you consult with your local sanitation department  
or plumber on requirements.

UV resistant BPA Free HDPE  
Empty weight: 311  
Shipping Class: 300  
Includes 2 4" tees and gaskets



UNLESS OTHERWISE SPECIFIED: DIMENSIONS ARE IN MILLIMETERS			FINISH:			DEBURR AND BREAK SHARP EDGES			DO NOT SCALE DRAWING		REVISION
TOLERANCES: LINEAR: ANGULAR:									TITLE: 87-41720 1000 GALLON TWO COMPARTMENT HDPE SEPTIC TANK		
DRAWN	NAME	SIGNATURE	DATE						DWG NO.	A2	
CHK'D											
APP'VD											
MFG											
Q.A.											
WEIGHT:									SCALE:1:17 SHEET 4 OF 7		

