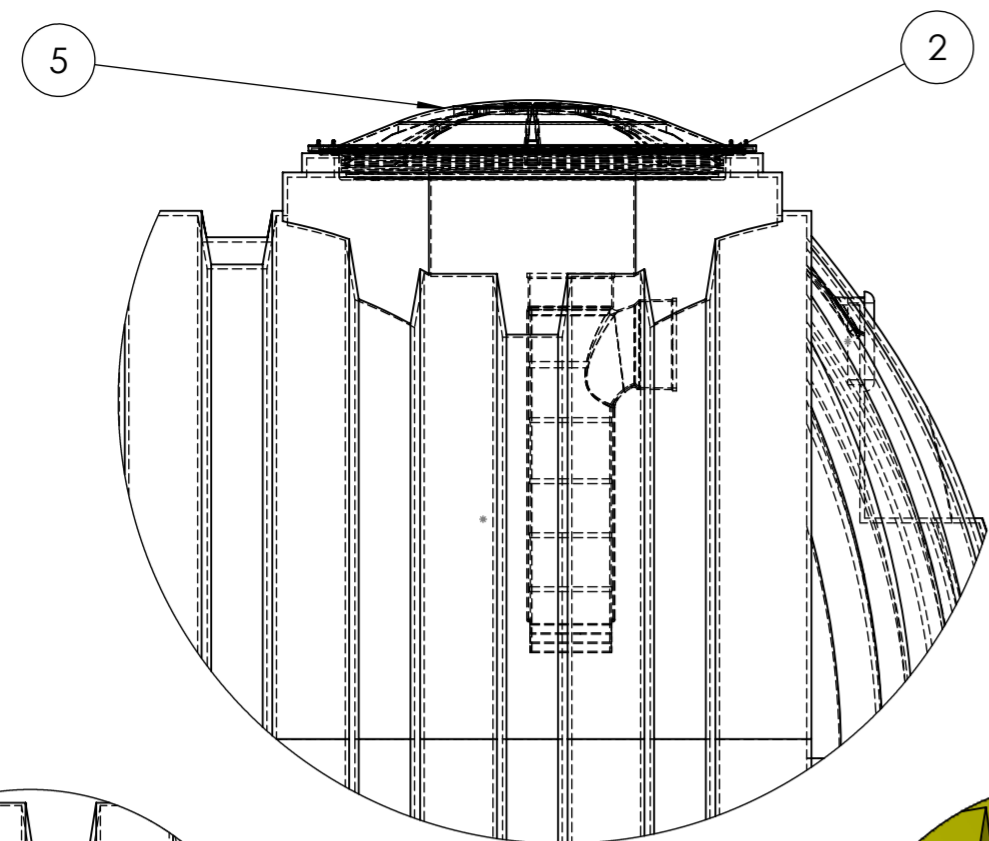


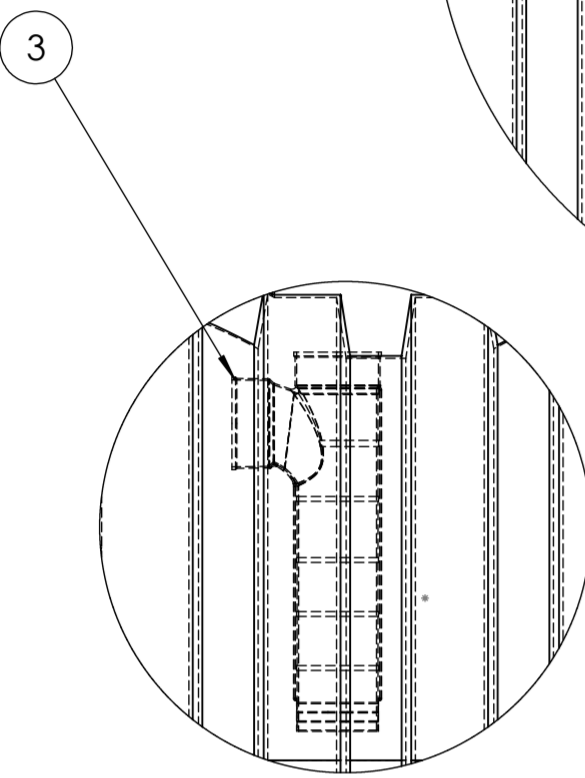
12 11 10 9 8 7 6 5 4 3 2 1

H  
G  
F  
E  
D  
C  
B  
A

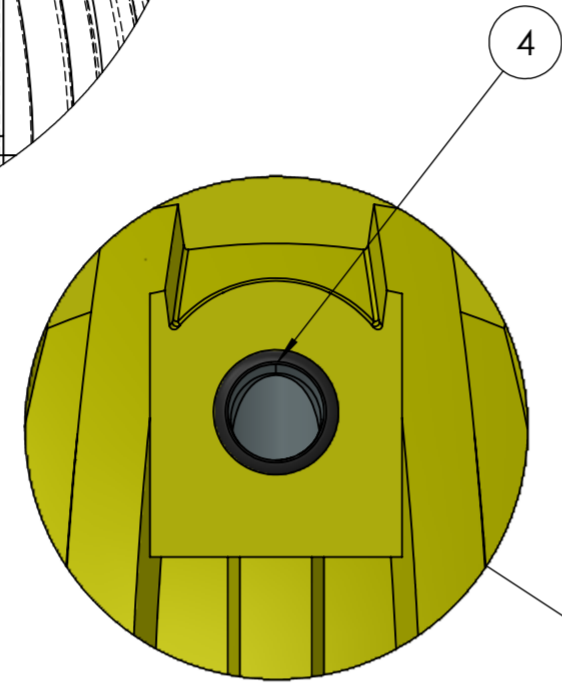
H  
G  
F  
E  
D  
C  
B  
A



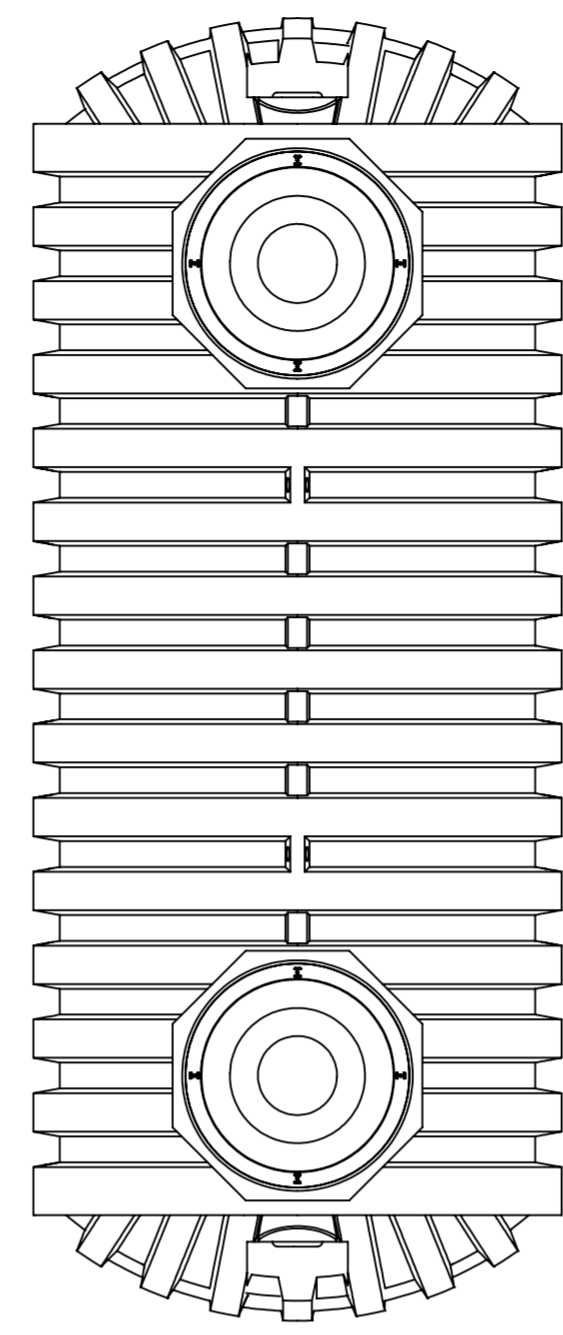
DETAIL B  
SCALE 1:10



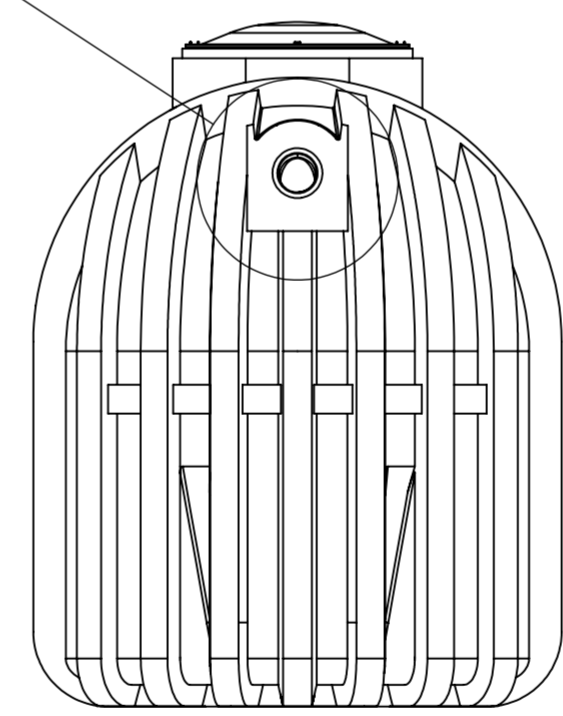
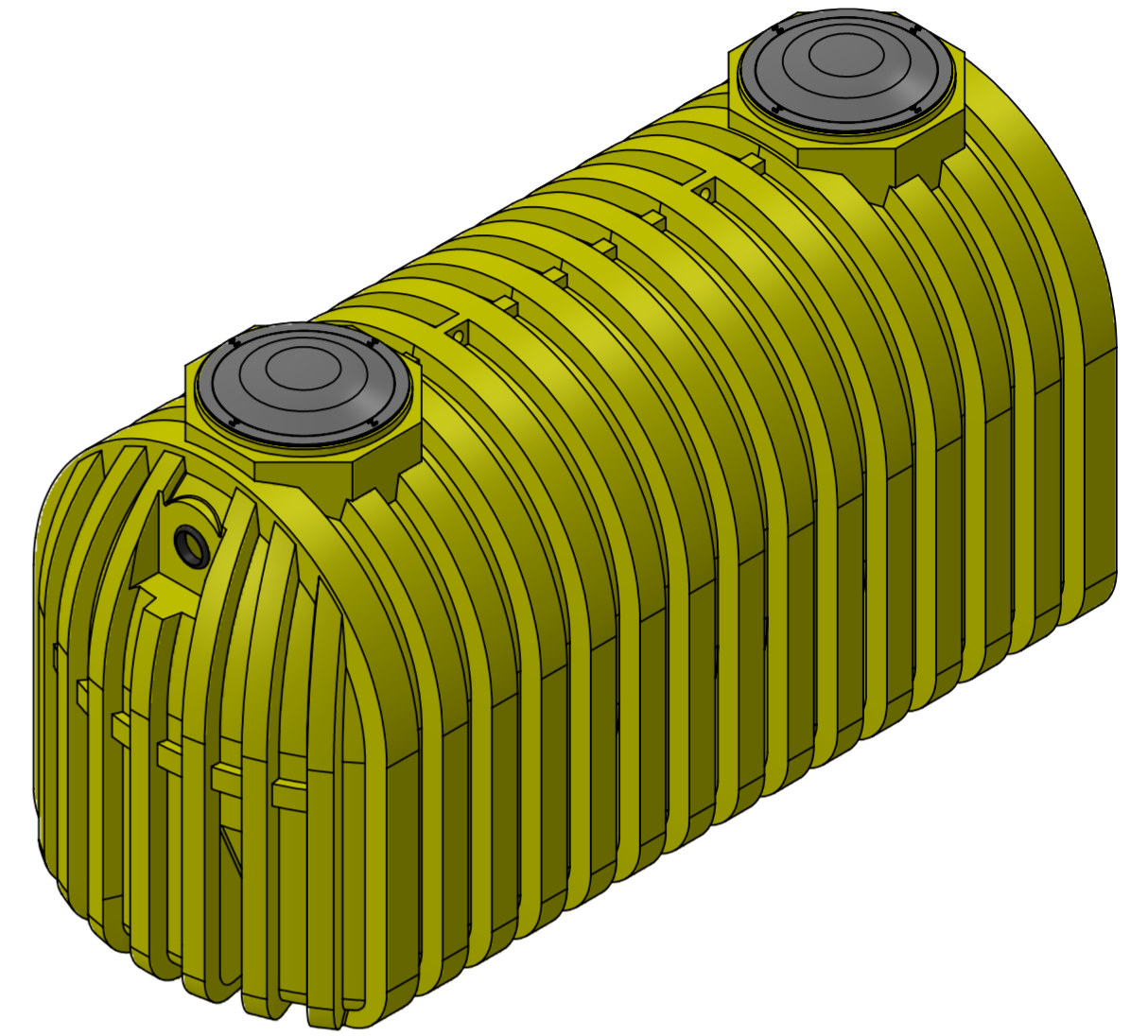
DETAIL C  
SCALE 1:10



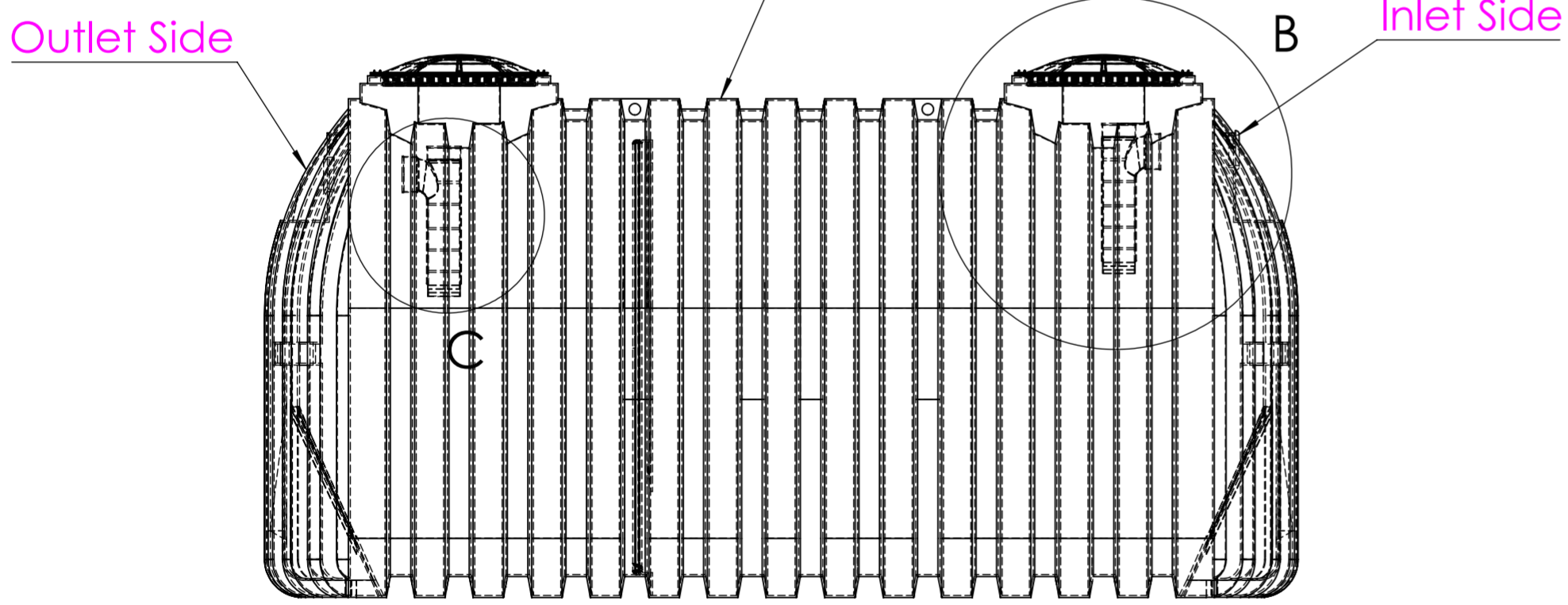
DETAIL F  
SCALE 1:8



TOP VIEW



FRONT VIEW



SIDE VIEW

Operating Volume (Gls)  
 Primary Compartment: 1006  
 Secondary Compartment: 494

Complies with FDA standards 21 CFR 177.1520 (1) 3.1 and 3.2  
 3 year limited warranty

Municipal and County codes may vary from your state approval.  
 Please make sure you consult with your local sanitation department  
 or plumber on requirements.

UV resistant BPA Free HDPE  
 Empty weight: 458  
 Shipping Class: 300  
 Includes 2 4" tees and gaskets

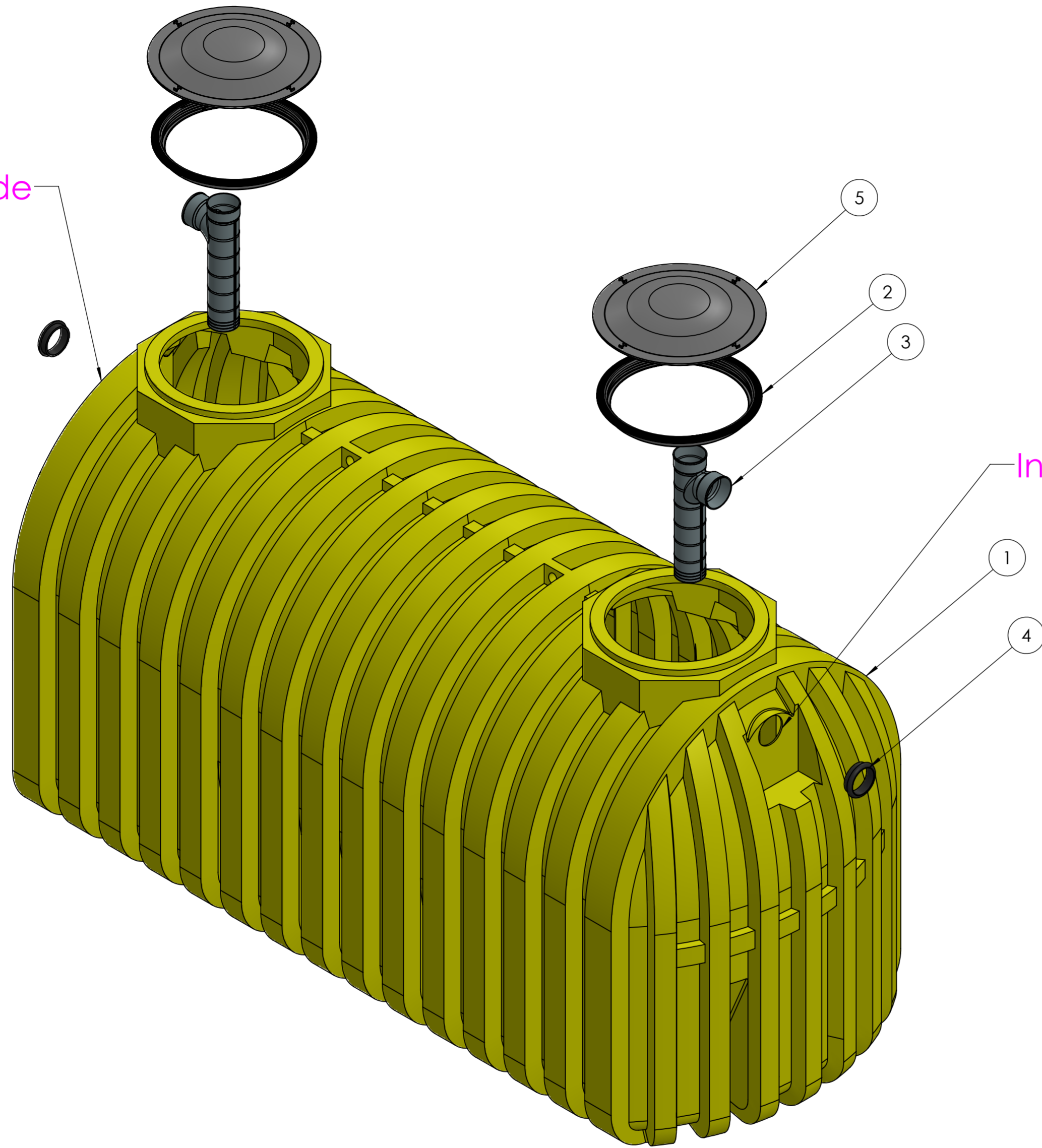


ITEM #	MFGR PART #	DESCRIPTION	QTY
1	87-41760	1500g 2C HDPE Septic Tank	1
2	WTL-001-FM	Tank Adapter Ring	2
3	SPL-BR-004	4 Inch Inlet/Outlet Tee	2
4	85-SPL-ER-G	4 Inch Gasket	2
5	85-SPL-001-L	20" Black Domed Lid; SS Screws	2

UNLESS OTHERWISE SPECIFIED: DIMENSIONS ARE IN MILLIMETERS		FINISH:		DEBURR AND BREAK SHARP EDGES		DO NOT SCALE DRAWING		REVISION	
SURFACE FINISH:									
TOLERANCES:									
LINEAR:									
ANGULAR:									
DRAWN	NAME	SIGNATURE	DATE			TITLE:		87-41760 1500 GALLON TWO COMPARTMENT HDPE SEPTIC TANK	
CHKD						DWG NO.		A2	
APPVD						SCALE:1:20		SHEET 1 OF 7	
MFG									
Q.A.									
				WEIGHT:					

12 11 10 9 8 7 6 5 4 3 2 1

Outlet Side



Inlet Side

### Exploded View

Operating Volume (Gls)  
 Primary Compartment: 1006  
 Secondary Compartment: 494

Complies with FDA standards 21 CFR 177.1520 (1) 3.1 and 3.2  
 3 year limited warranty

Municipal and County codes may vary from your state approval.  
 Please make sure you consult with your local sanitation department  
 or plumber on requirements.

UV resistant BPA Free HDPE  
 Empty weight: 458  
 Shipping Class: 300  
 Includes 2 4" tees and gaskets



ITEM #	MFGR PART #	DESCRIPTION	QTY
1	87-41760	1500g 2C HDPE Septic Tank	1
2	WTL-001-FM	Tank Adapter Ring	2
3	SPL-BR-004	4 Inch Inlet/Outlet Tee	2
4	85-SPL-ER-G	4 Inch Gasket	2
5	85-SPL-001-L	20" Black Domed Lid; SS Screws	2

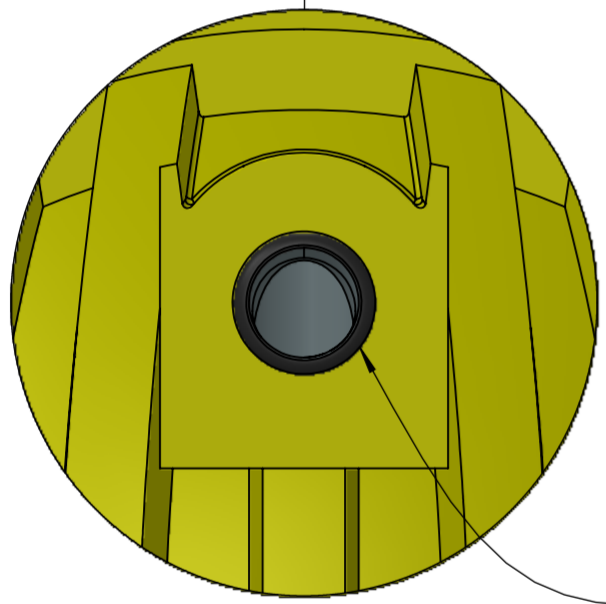
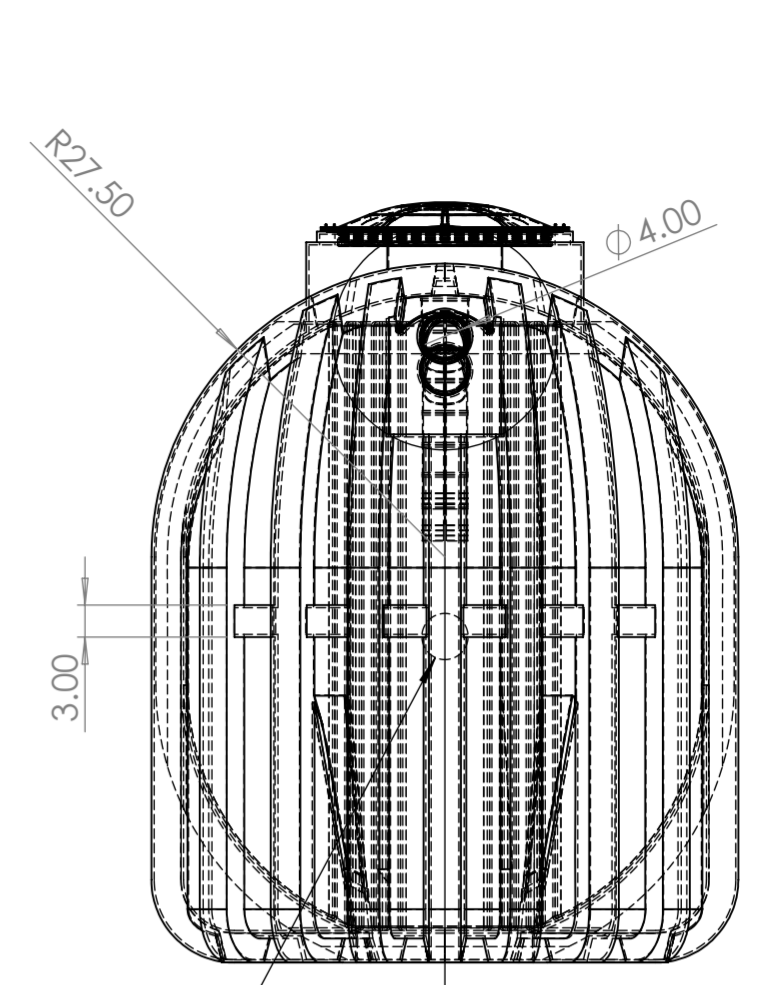
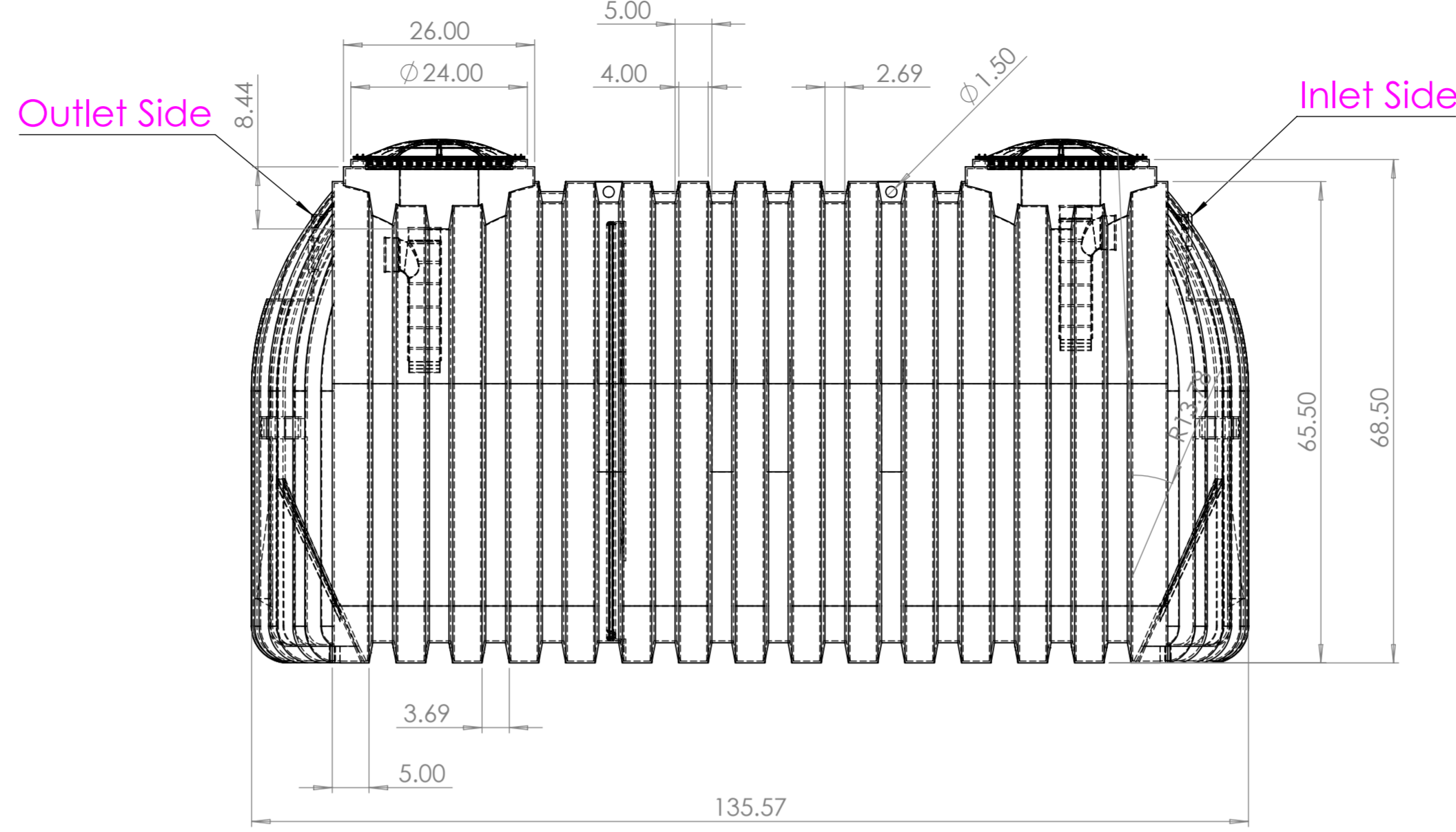
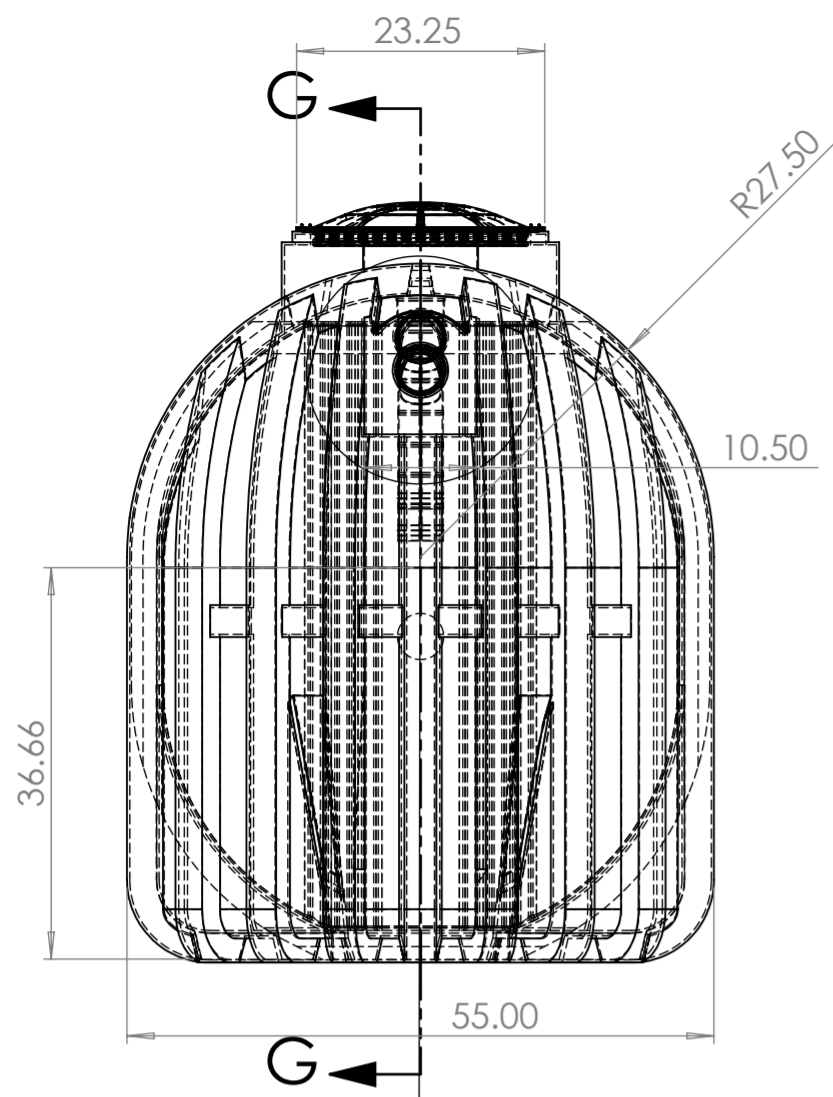
UNLESS OTHERWISE SPECIFIED: DIMENSIONS ARE IN MILLIMETERS		FINISH:		DEBURR AND BREAK SHARP EDGES		DO NOT SCALE DRAWING		REVISION	
SURFACE FINISH:									
TOLERANCES:									
LINEAR:									
ANGULAR:									
DRAWN		NAME	SIGNATURE	DATE			TITLE:		
CHKD							87-41760 1500 GALLON TWO COMPARTMENT HDPE SEPTIC TANK		
APPVD							DWG NO.		A2
MFG									
Q.A.									
		MATERIAL:							
		WEIGHT:				SCALE:1:20		SHEET 2 OF 7	



12 11 10 9 8 7 6 5 4 3 2 1

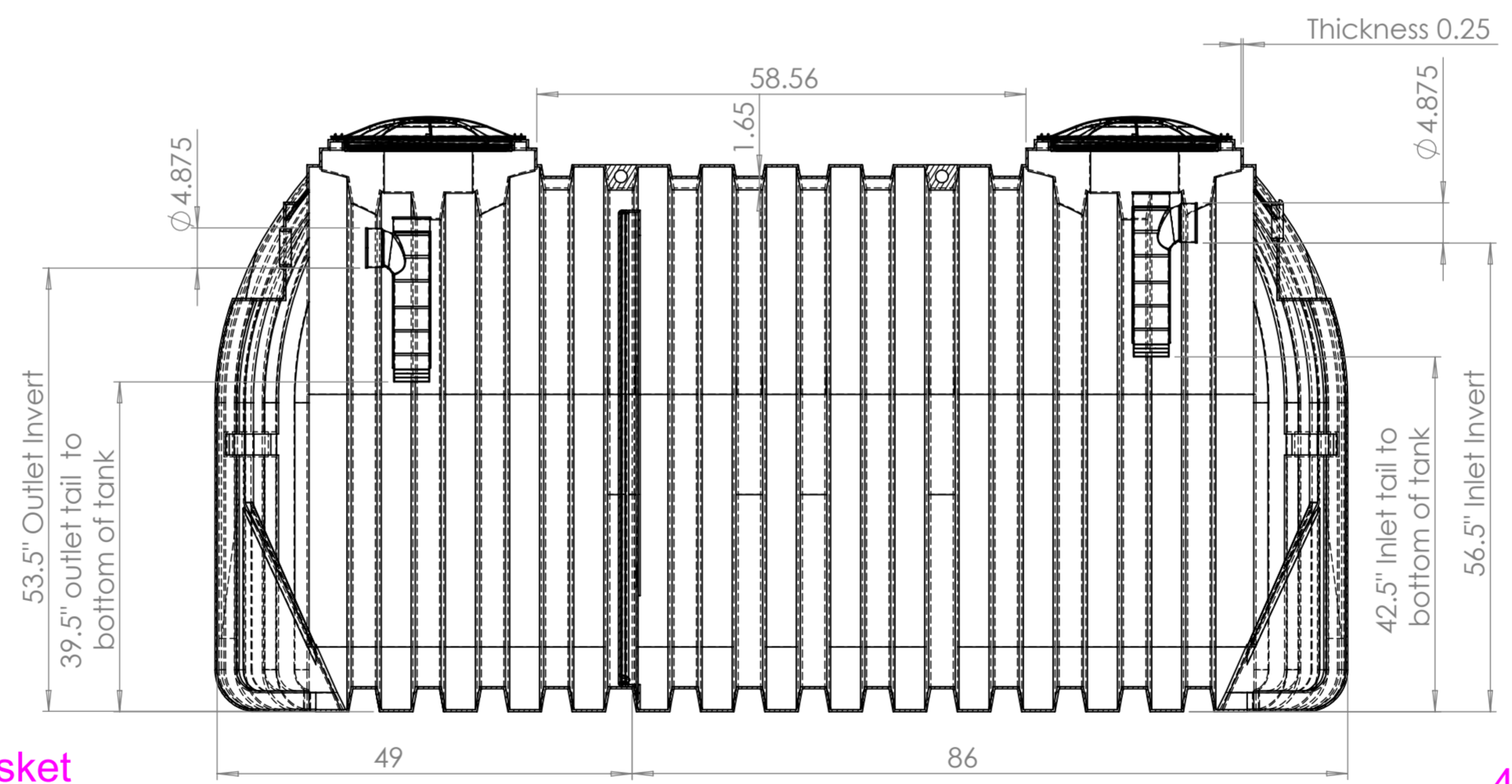
H  
G  
F  
E  
D  
C  
B  
A

H  
G  
F  
E  
D  
C  
B  
A

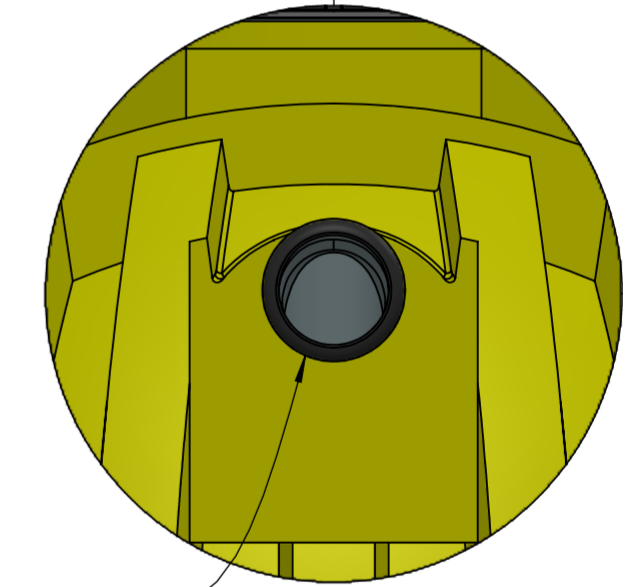


**DETAIL K**  
SCALE 1:7

**4" Gasket (Outlet Side)**



**SECTION G-G**  
SCALE 1:18



**4" Gasket (Inlet Side)**

**DETAIL J**  
SCALE 1:7

**Operating Volume (Gls)**  
Primary Compartment: 1006  
Secondary Compartment: 494

**Complies with FDA standards 21 CFR 177.1520 (1) 3.1 and 3.2**  
3 year limited warranty

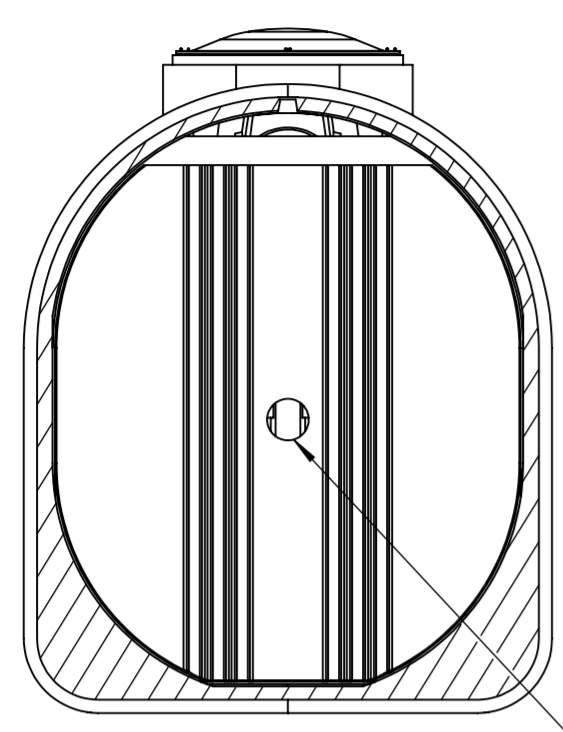
**Municipal and County codes may vary from your state approval.**  
Please make sure you consult with your local sanitation department or plumber on requirements.

**UV resistant BPA Free HDPE**  
Empty weight: 458  
Shipping Class: 300  
Includes 2 4" tees and gaskets

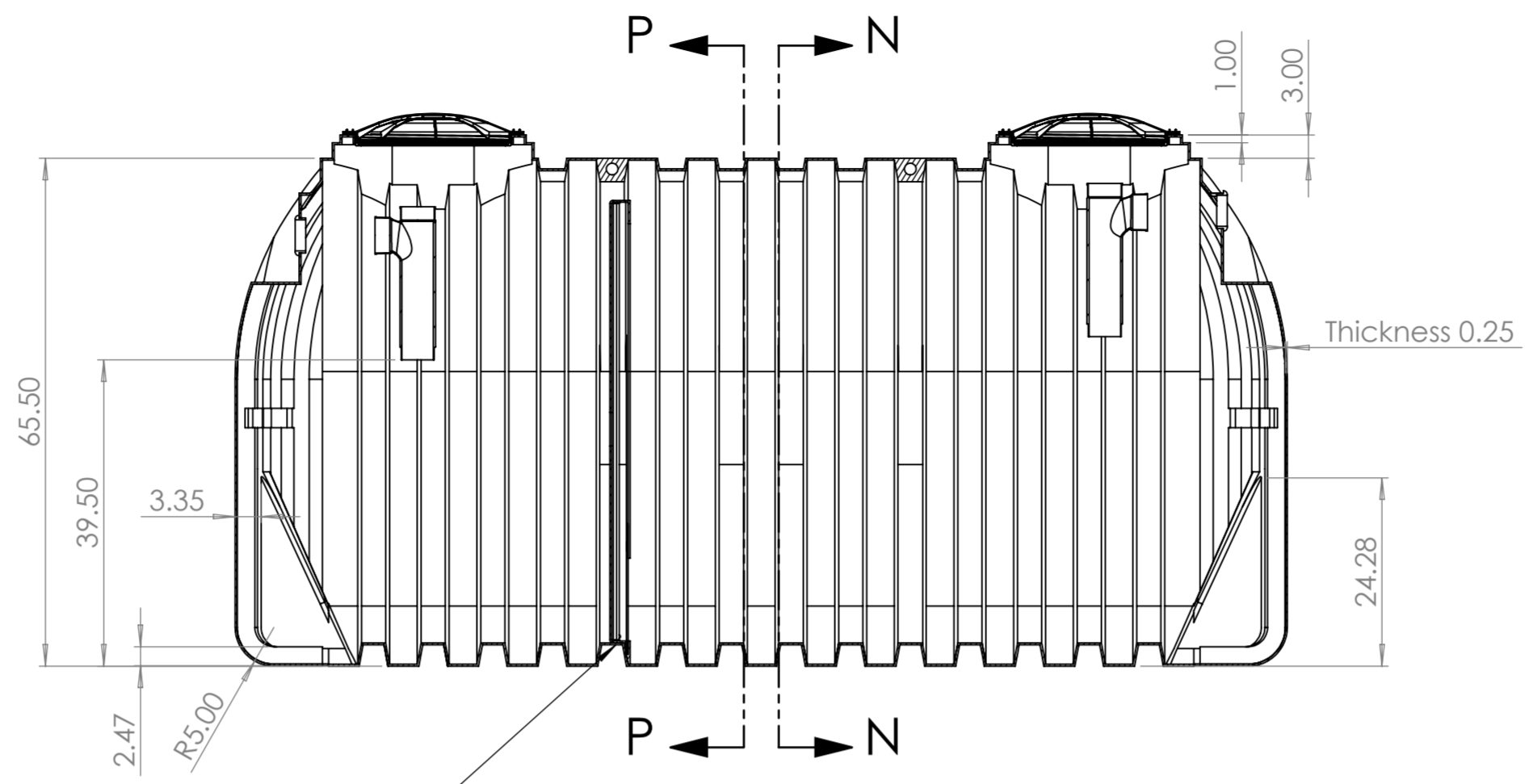


UNLESS OTHERWISE SPECIFIED: DIMENSIONS ARE IN MILLIMETERS			FINISH:			DEBURR AND BREAK SHARP EDGES			DO NOT SCALE DRAWING		REVISION		
SURFACE FINISH:													
TOLERANCES:													
LINEAR:													
ANGULAR:													
DRAWN			NAME			SIGNATURE			DATE			TITLE:	
CHKD												87-41760 1500 GALLON TWO COMPARTMENT HDPE SEPTIC TANK	
APPVD												DWG NO.	
MFG												A2	
Q.A.												SCALE:1:20	
MATERIAL:												SHEET 3 OF 7	
WEIGHT:													

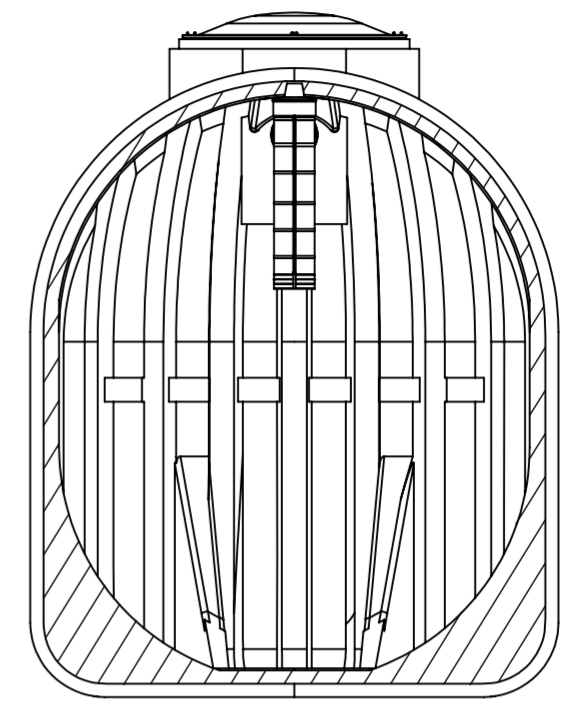
12 11 10 9 8 7 6 5 4 3 2 1



SECTION P-P  
Outlet side



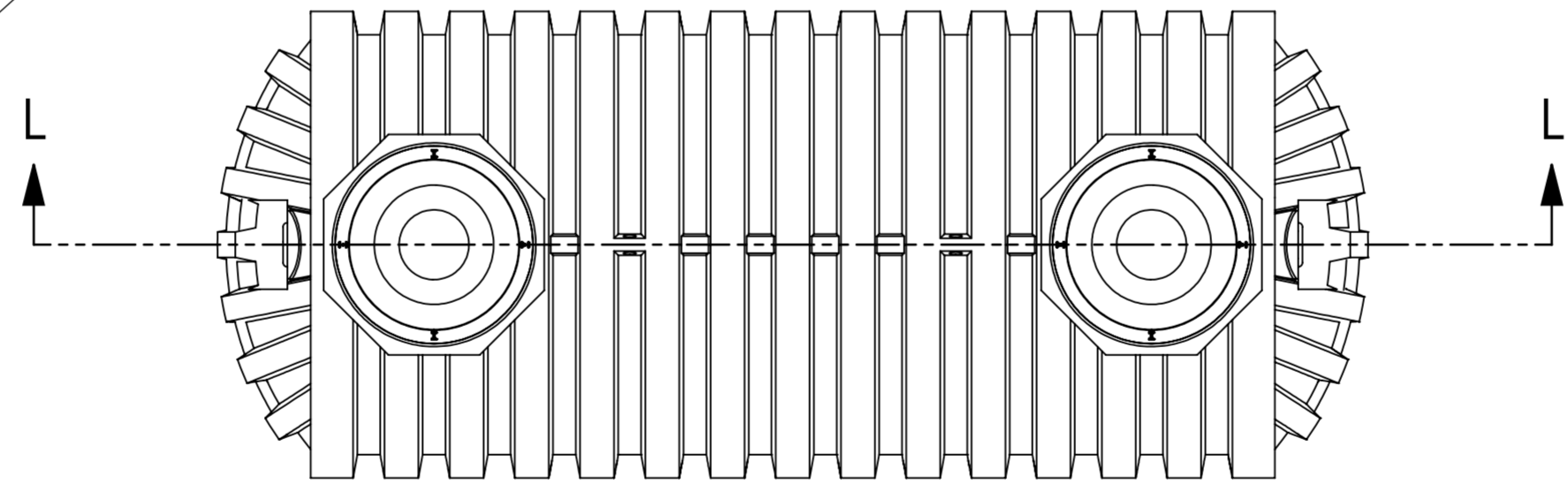
SECTION L-L



SECTION N-N  
Inlet side

Baffle

Baffle placement:  
86" from side wall to baffle on 2/3 (inlet) side;  
49" from side wall to baffle on 1/3 (outlet) side.  
59.8" tall x 54.3" wide x 2.6" deep.



Operating Volume (Glns)  
Primary Compartment: 1006  
Secondary Compartment: 494

Complies with FDA standards 21 CFR 177.1520 (1) 3.1 and 3.2  
3 year limited warranty

Municipal and County codes may vary from your state approval.  
Please make sure you consult with your local sanitation department  
or plumber on requirements.

UV resistant BPA Free HDPE  
Empty weight: 458  
Shipping Class: 300  
Includes 2 4" tees and gaskets



UNLESS OTHERWISE SPECIFIED: DIMENSIONS ARE IN MILLIMETERS			FINISH:			DEBURR AND BREAK SHARP EDGES			DO NOT SCALE DRAWING		REVISION	
TOLERANCES: LINEAR: ANGULAR:									TITLE: 87-41760 1500 GALLON TWO COMPARTMENT HDPE SEPTIC TANK			
DRAWN	NAME	SIGNATURE	DATE						DWG NO.			A2
CHKD									SCALE: 1:20			SHEET 4 OF 7
APPVD									MATERIAL:			
MFG									WEIGHT:			
Q.A.									STATE OF NEW YORK LUCY M. IBERNARDI Professional Engineer 098232			