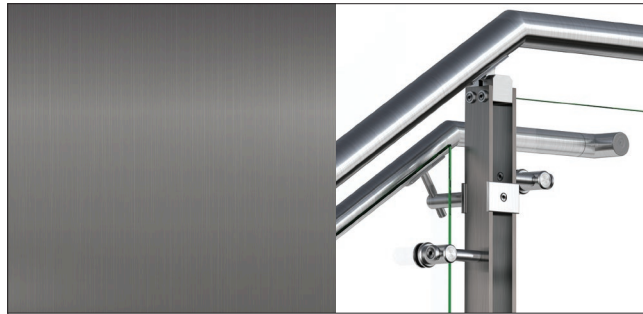
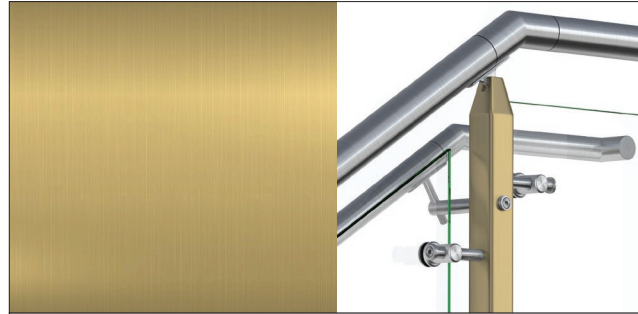


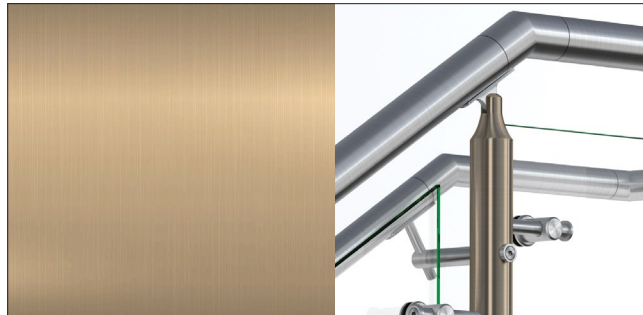
ECM-COLORED STAINLESS STEEL



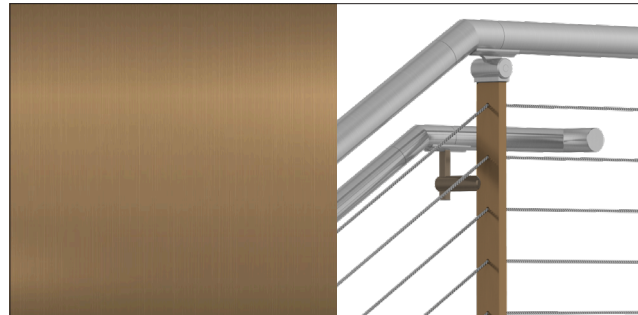
ECM-20 SATIN BLACK



ECM-21 SATIN GOLD



ECM-23 SATIN BRASS



ECM-25 SATIN COPPER

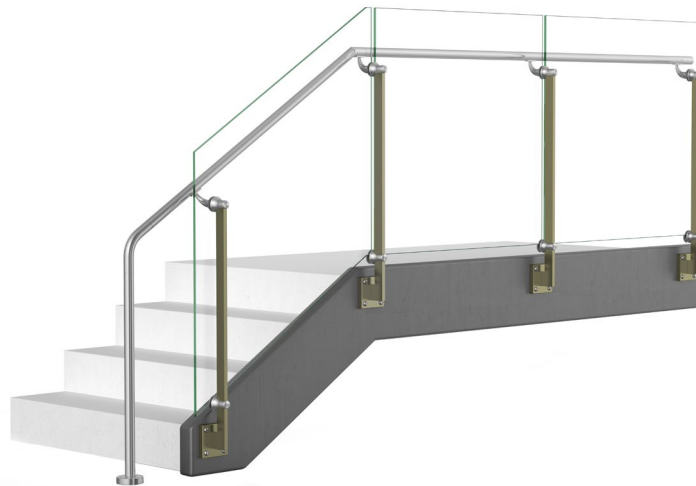
ECM 2-TONE

Type A: ECM Post with SS Fittings.

Type B: ECM Fittings with SS Posts.

Shown here are the standard colors available. As in all of our stainless steel railing systems, customization is always available as at VIVA Railings our priority is ensuring that what we design perfectly matches your vision.

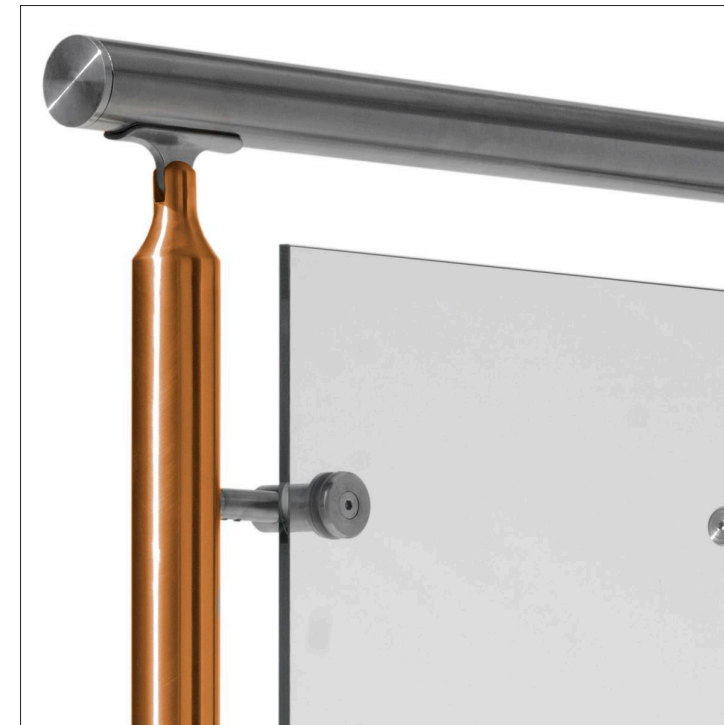
<https://vivarailings.com/finishing-options/ecm-finish/>



VIVA is offering a brand new finishing option!

ECM Finish is a new finish offered by VIVA Railings and can be applied to nearly all of our modular railing systems. This method of electroplated coating offers an environmentally friendly system that provides an even better abrasion and weather resistance to our already durable stainless steel railing systems. Although ECM Finish is only a few microns thick, the bonding process, once applied, is extremely durable, hard and heat resistant, which is a plus for outdoor modular railing systems. ECM can be applied to any of our following systems:

BLADE™ | CIRCA™ | CUBE™ | BEACON™ | SOLO™ | FIN™



*This color chart is for reference only and is not to be used for final color matching. Shades may vary due to the color and resolution of your computer screen and/or your particular color printer output. For accurate color matching, please request a sample at vivarailings.com/contact.