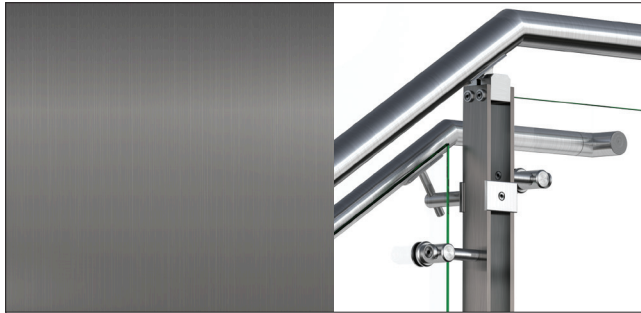
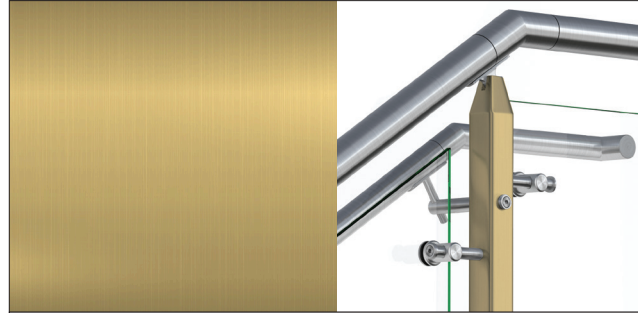


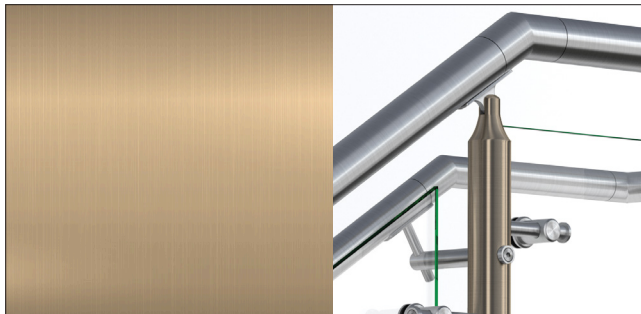
STAINLESS STEEL ECM FINISH OPTIONS



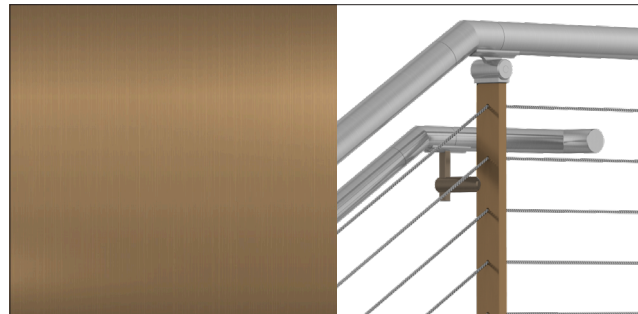
ECM-20 SATIN BLACK



ECM-21 SATIN GOLD



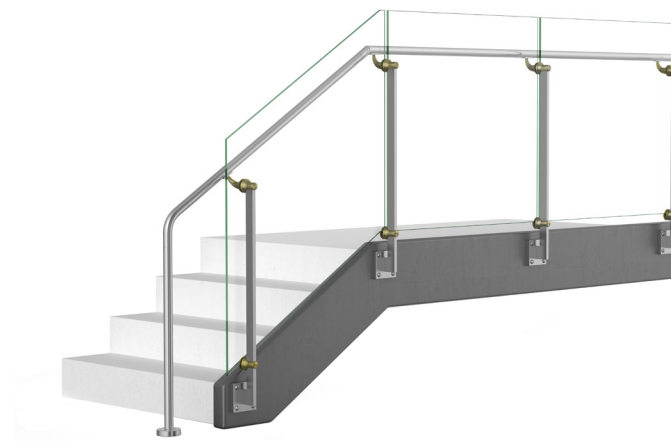
ECM-23 SATIN BRASS



ECM-25 SATIN COPPER

Shown here are the standard colors available. As in all of our stainless steel railing systems, customization is always available as at VIVA Railings our priority is ensuring that what we design perfectly matches your vision.

<https://vivarailings.com/finishing-options/ecm-finish/>



ECM can be applied to nearly all of our railing systems. This method of electroplated coating offers an environmentally friendly system that provides an even better abrasion and weather resistance to our already durable stainless steel railing systems. Although ECM finish is only a few microns thick, the bonding process, once applied, is extremely durable, hard and heat resistant, which is a plus for outdoor modular railing systems. ECM can be applied to any of our following systems:

BLADE | BEACON | VORTEX | CIRCA | CUBE | TEE | VIEW
SOLO | VISIO | WINDWALL

***ECM finish is not available for U-cap, top rail or hand rail.**



Please note that the digital swatches of our powder coat and ECM colors may not accurately represent the actual real-life samples. Factors such as monitor settings, lighting conditions, and individual perception can affect the colors you see on your screen. We suggest using the swatches as a general reference for color, shade, and hue, rather than expecting an exact match. For the most precise color selection, we recommend requesting physical samples or visiting our office in Lewisville, TX to evaluate the powder coat colors in person.