

BLADE Air- AVAILABLE INFILLS

Glass

Perforated Metal

Wire Mesh

Picket Panel

CableNet

Multiline

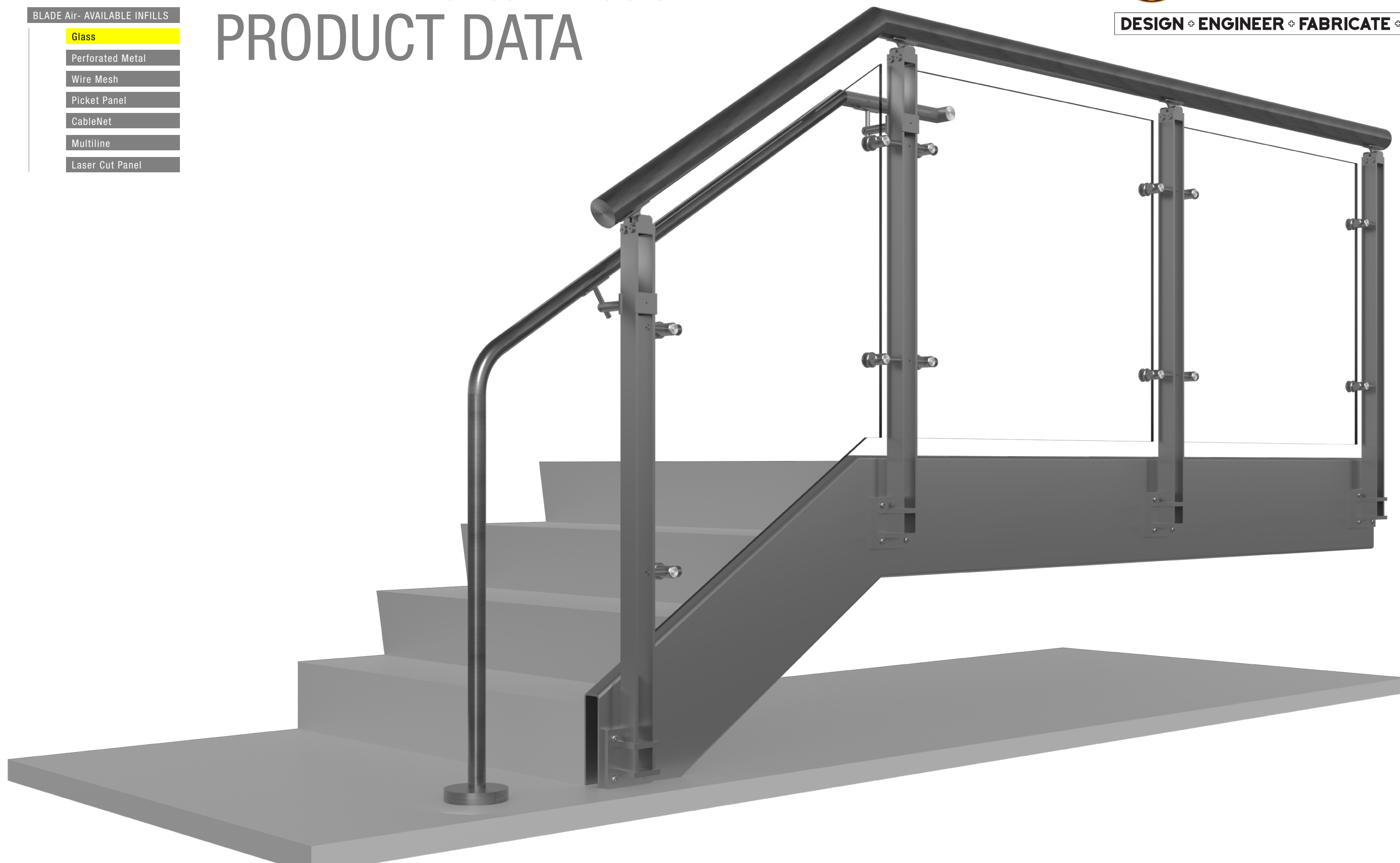
Laser Cut Panel

# BLADE Air GLASS RAILING SYSTEM

## PRODUCT DATA



DESIGN + ENGINEER + FABRICATE + INSTALL

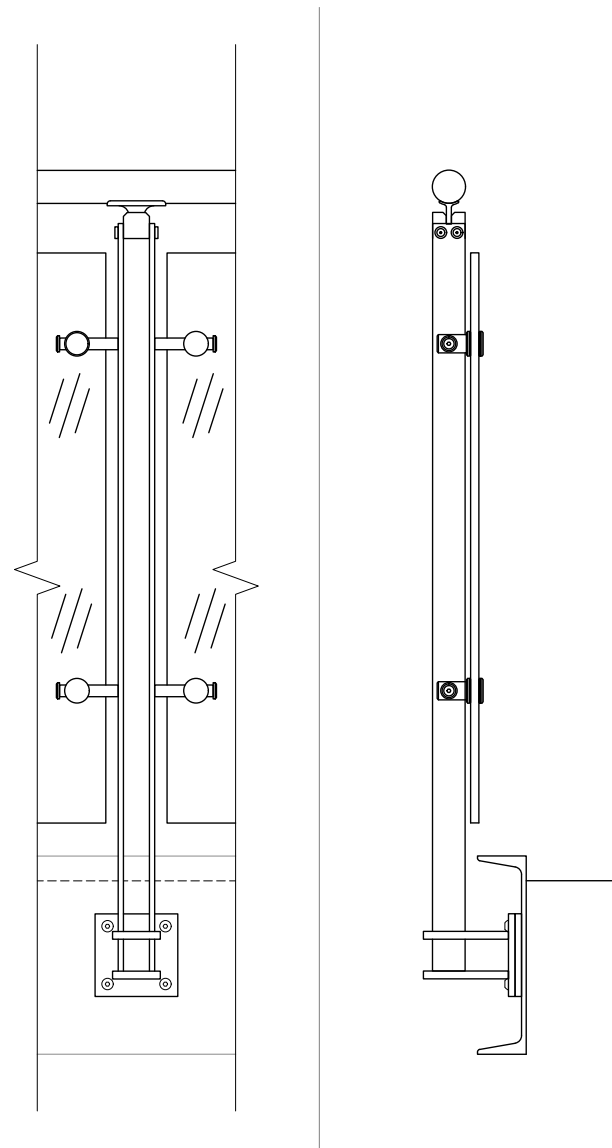


# BLADE Air GLASS RAILING SYSTEM

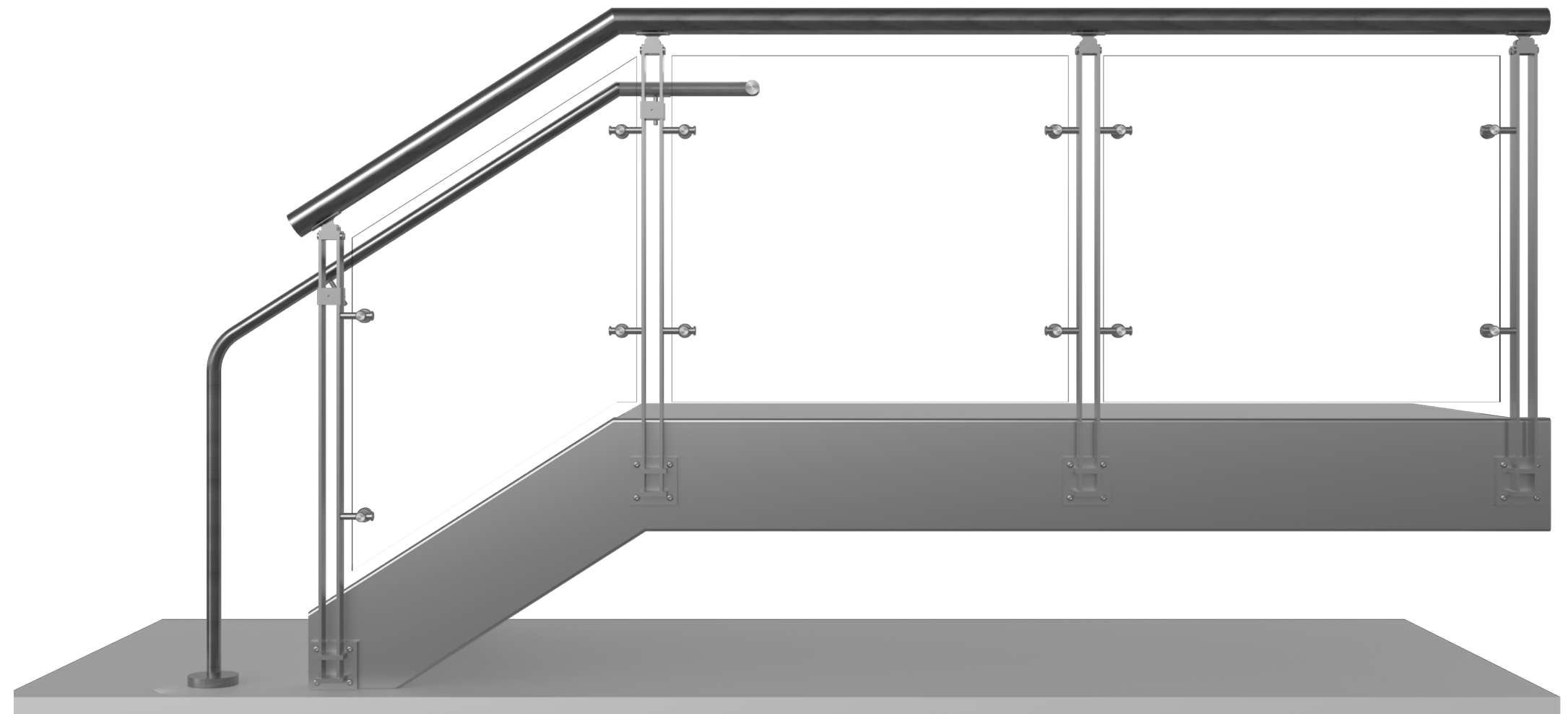
The BLADE Air Post System is a sleek, minimalist evolution of our popular BLADE Post System. Designed with an ultra-contemporary aesthetic, it removes the bottom center bar for an even less obstructed view, further emphasizing openness while maintaining structural integrity. The system consists of two 2" wide vertical posts and incorporates a unique cube cap at the top. Its precision design ensures stability, whether for cable, glass, or other infill options, making it ideal for modern architectural spaces where clean lines and minimal intrusion are paramount.

## BLADE Air- AVAILABLE INFILLS

- Glass**
- Perforated Metal
- Wire Mesh
- Picket Panel
- CableNet
- Multiline
- Laser Cut Panel



Other mounting options available.



# BLADE Air GLASS & METAL SYSTEM - TECHNICAL DATA

	MATERIAL	FINISH	SIZE/SPACING
<b>POST</b>	Stainless Steel (304 or 316)	#6 Satin, #8 Mirror	2" Double flat bar post: @ 5'-0" max. O.C. 4'-6" max. for Perforated and Wire Mesh infill. 4'-0" max. for MultiLine infill.
	Stainless Steel (201)	ECM Powder Coat	
<b>INFILL OPTIONS</b>	Glass	Clear, Tinted or Frit	Min. 3/8" laminated glass with PVB or SGP interlayer <sup>1</sup> Glass standard thickness: 3/8", 1/2", 5/8", 3/4"  Interlayer standard thickness: SGP: 0.035" , 0.06" PVB: 0.035"
	Perforated Metal	#6 Satin	1" wide frame
	Wire Mesh		Ø1/2" picket
	Picket Panel		Ø1/2" multiline
	Multiline		Ø1" Wide frame, Ø1/16" (1.5mm) cable mesh
	CableNet		1/4" thick aluminum panel.
Laser Cut	Powder Coat - Super Polyester (AAMA 2604) - \$ <sup>4</sup> Powder Coat - PVDF (AAMA 2605) - \$\$		
<b>TOP RAIL/HAND RAIL</b>	Stainless Steel Tube	#6 Satin, Powder Coat	Ø1-1/2" or Ø2" for Hand Rail Ø1-1/2", Ø2" or 2"x1" Rectangular Tube for Top Rail
	Stainless Steel Tube with LED <sup>2</sup>	#6 Satin	Ø1-1/2" with LED LINEAR, Ø1-1/2" or Ø2" with LED POD
	Wood (Red Oak, Cherry or Maple) <sup>3</sup>	Unstained	Ø2"
	Wood (Red Oak, Cherry or Maple) with LED		Ø2" with LED LINEAR



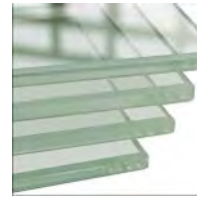
1. IBC 2015 & newer requires railing glass to be laminated. VIVA recommends SGP for exterior applications.
2. All LED LINEAR products are ETL certified; ETL mark is proof of product compliance to North American safety standard.
3. Other species available upon request.
4. \$ to \$\$\$: Indicates finish type comparative cost.



# BLADE Air RAILING SYSTEM GLASS INFILL



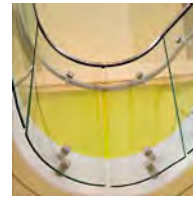
## AVAILABLE GLASS TYPES



Clear Monolithic



Clear Laminated (PVB or SGP)



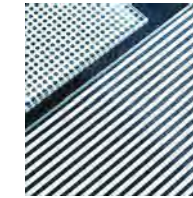
Bent



Tinted



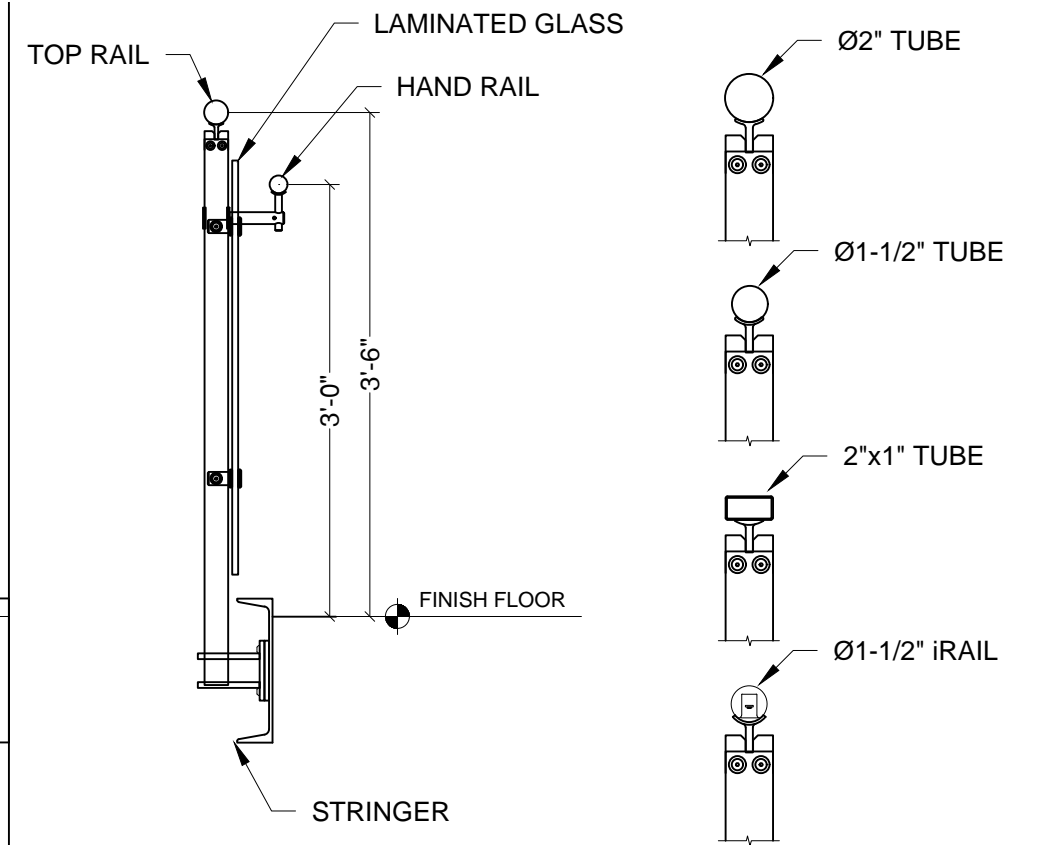
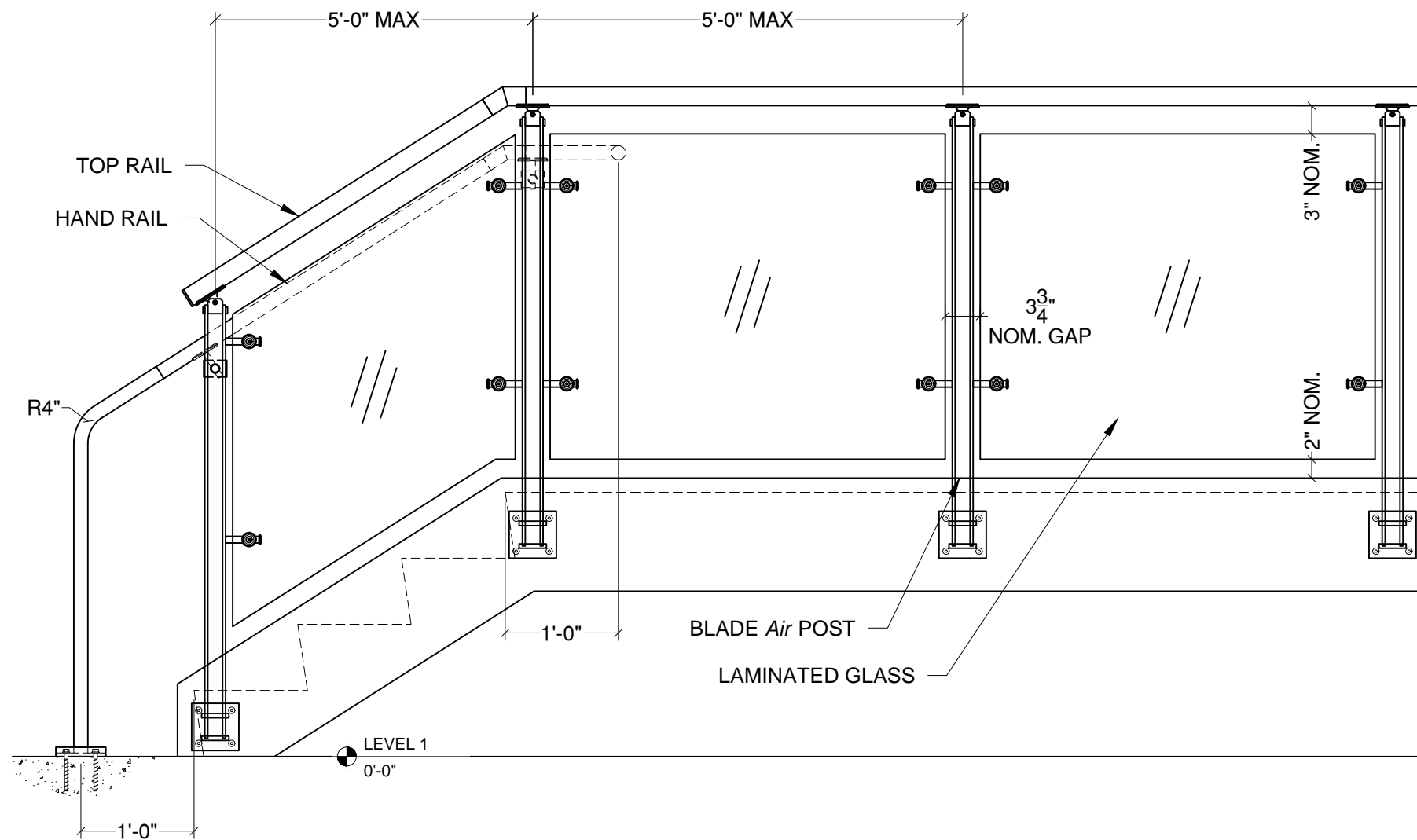
Satin Etched



Ceramic Frit



Colored Laminate (PVB only)



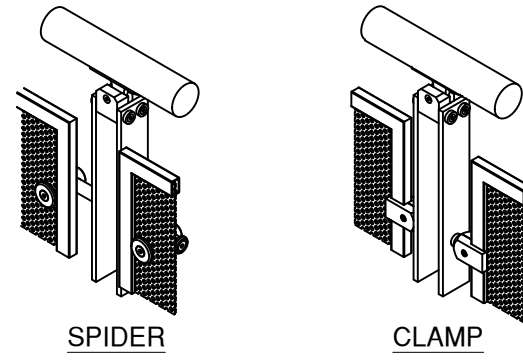
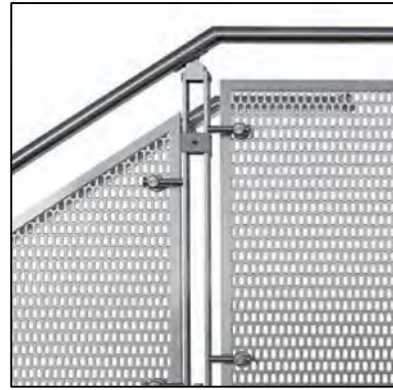
## TOP RAIL OPTIONS

VIVA RAILINGS IS NOT RESPONSIBLE FOR THE STRUCTURAL INTEGRITY OF ANY BUILDING SYSTEMS OR OTHER MATERIALS NOT FURNISHED BY VIVA RAILINGS. VIVA RAILINGS HAS NO WAY OF KNOWING AND SPECIFICALLY DISCLAIMS WHETHER OR NOT THE BUILDING SYSTEMS TO WHICH VIVA RAILINGS' PRODUCTS ARE TO BE ATTACHED ARE STRUCTURALLY SOUND OR DESIGNED TO PROPERLY SUPPORT VIVA RAILINGS'S MATERIALS. ANY SUCH DESIGN RESPONSIBILITY BELONGS TO OTHERS FOR WHOM VIVA RAILINGS IS NOT RESPONSIBLE. THESE DRAWINGS ARE INTENDED FOR THE SOLE USE OF VIVA RAILINGS' CUSTOMER AND THEIR AGENTS FOR THE INSTALLATION OF PRODUCTS FURNISHED BY VIVA RAILINGS. VIVA RAILINGS REMAINS THE SOLE OWNER OF ALL DESIGNS AND INTELLECTUAL PROPERTY CONTAINED WITHIN. REPRODUCTION AND USE OF THESE DESIGNS FOR ANY OTHER PURPOSE IS FORBIDDEN. SCALES ARE PROVIDED FOR REFERENCE ONLY. FOR PRODUCT INFORMATION AND TECHNICAL SUPPORT, PLEASE CONTACT VIVA RAILINGS.

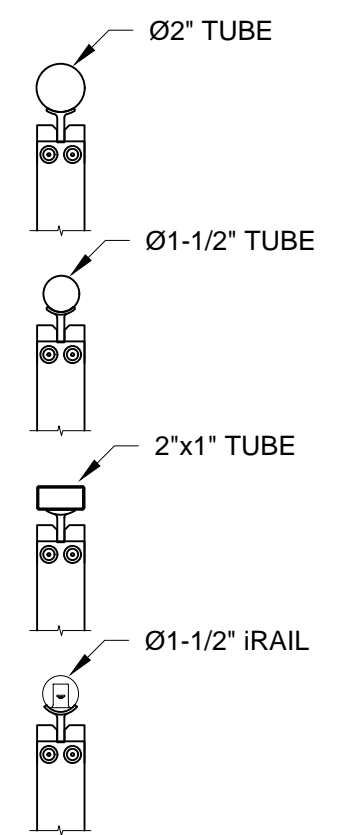
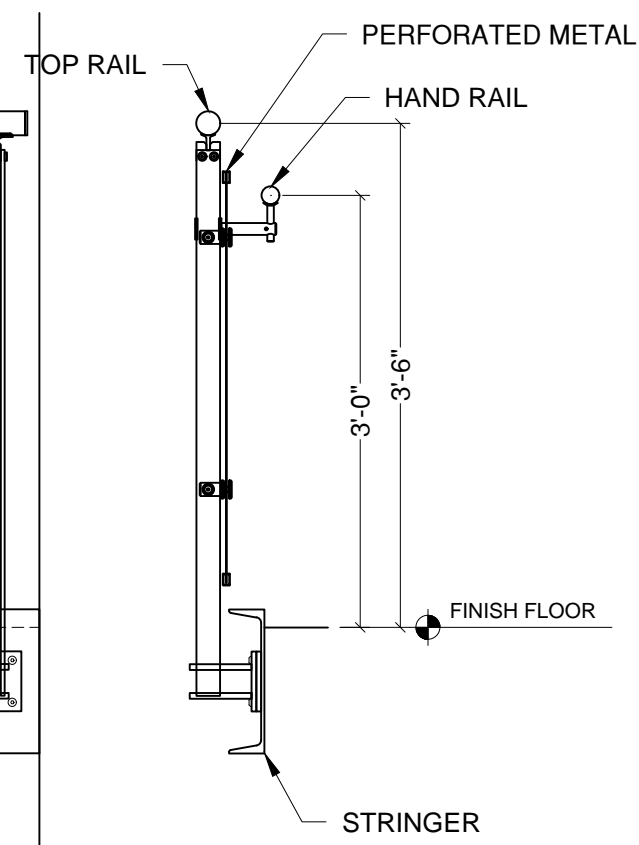
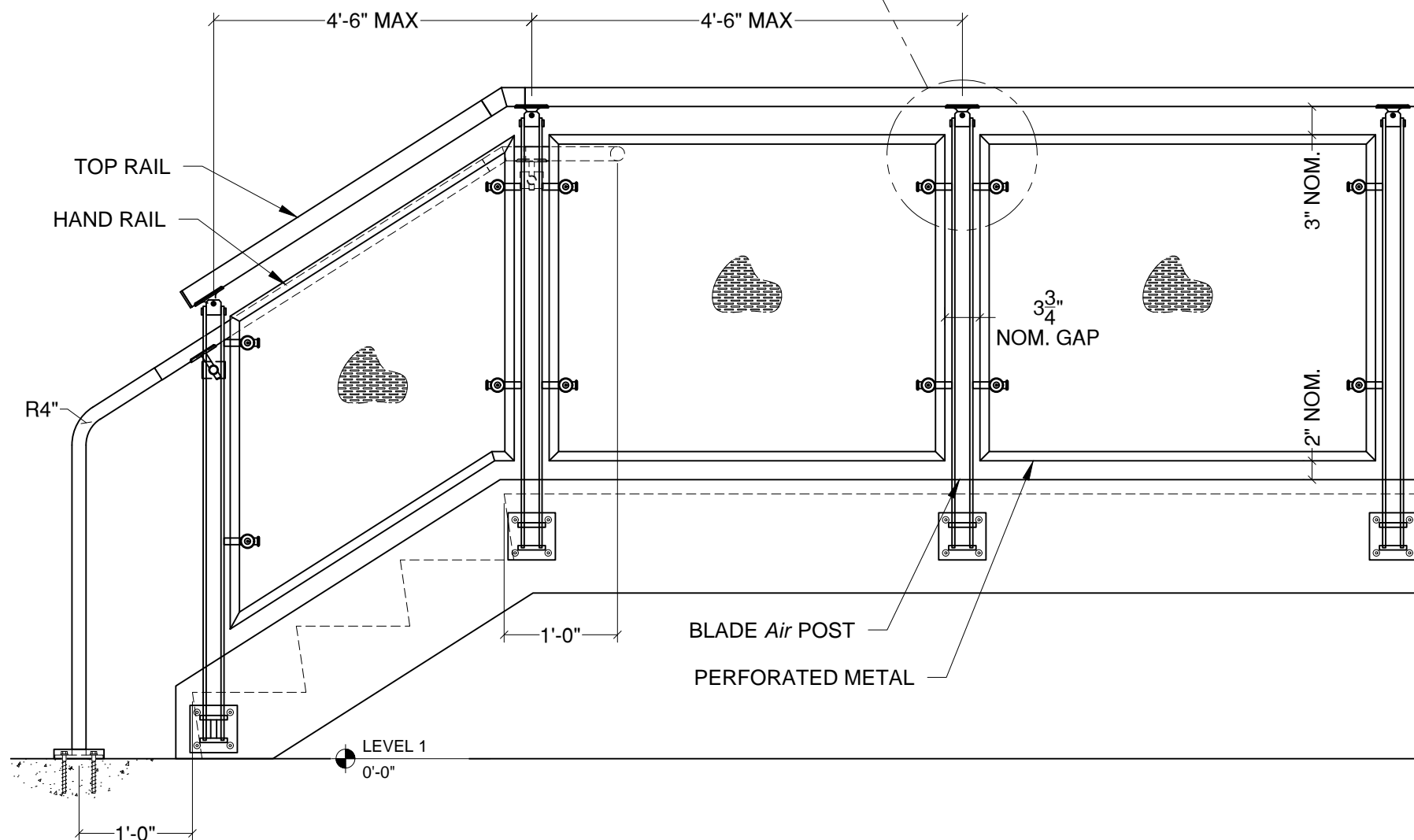
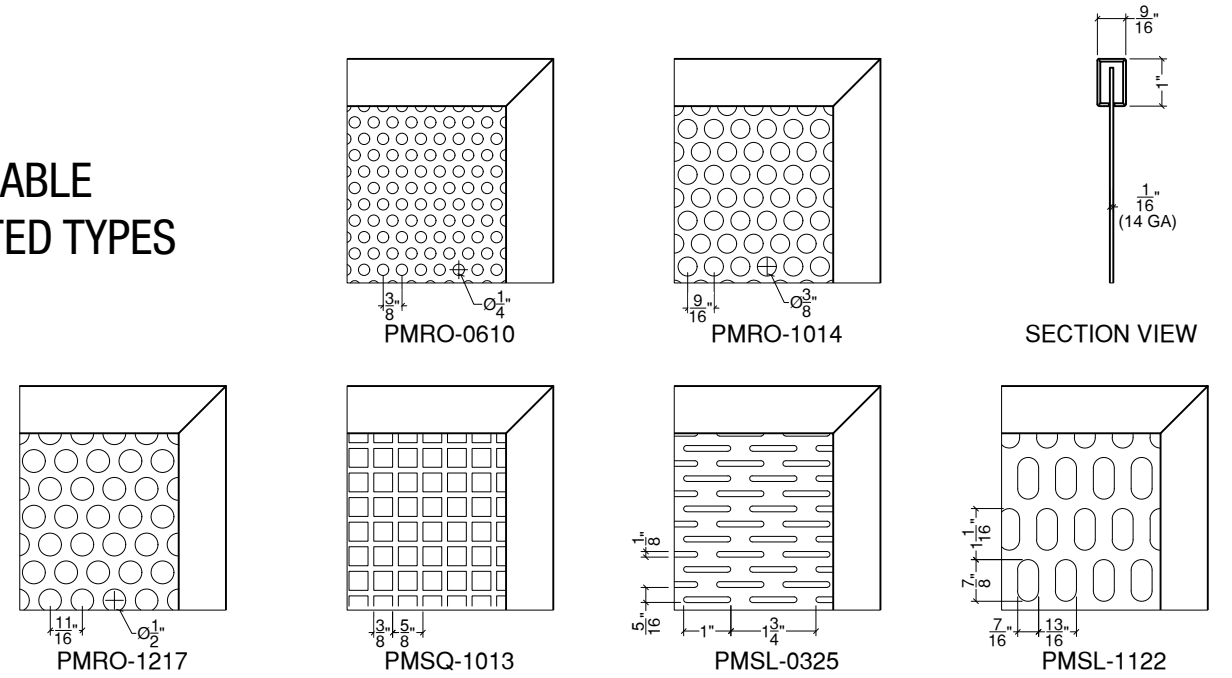




# BLADE Air RAILING SYSTEM PERFORATED METAL INFILL



## AVAILABLE PERFORATED TYPES



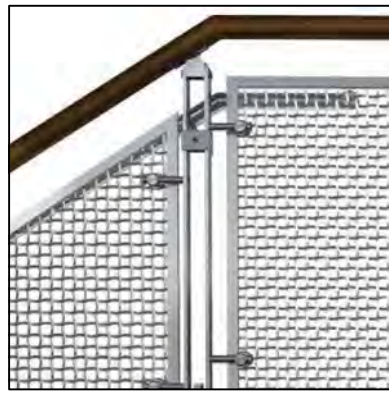
## TOP RAIL OPTIONS

VIVA RAILINGS IS NOT RESPONSIBLE FOR THE STRUCTURAL INTEGRITY OF ANY BUILDING SYSTEMS OR OTHER MATERIALS NOT FURNISHED BY VIVA RAILINGS. VIVA RAILINGS HAS NO WAY OF KNOWING AND SPECIFICALLY DISCLAIMS WHETHER OR NOT THE BUILDING SYSTEMS TO WHICH VIVA RAILINGS' PRODUCTS ARE TO BE ATTACHED ARE STRUCTURALLY SOUND OR DESIGNED TO PROPERLY SUPPORT VIVA RAILINGS'S MATERIALS. ANY SUCH DESIGN RESPONSIBILITY BELONGS TO OTHERS FOR WHOM VIVA RAILINGS IS NOT RESPONSIBLE. THESE DRAWINGS ARE INTENDED FOR THE SOLE USE OF VIVA RAILINGS' CUSTOMER AND THEIR AGENTS FOR THE INSTALLATION OF PRODUCTS FURNISHED BY VIVA RAILINGS. VIVA RAILINGS REMAINS THE SOLE OWNER OF ALL DESIGNS AND INTELLECTUAL PROPERTY CONTAINED WITHIN. REPRODUCTION AND USE OF THESE DESIGNS FOR ANY OTHER PURPOSE IS FORBIDDEN. SCALES ARE PROVIDED FOR REFERENCE ONLY. FOR PRODUCT INFORMATION AND TECHNICAL SUPPORT, PLEASE CONTACT VIVA RAILINGS.

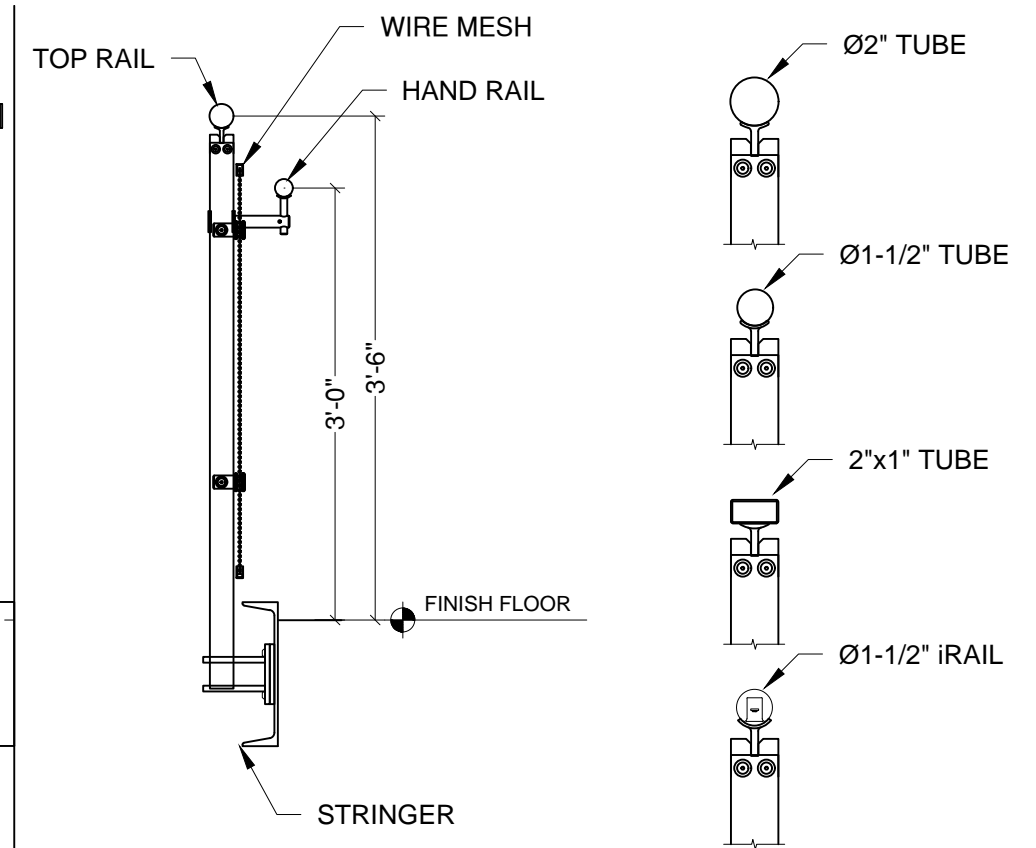
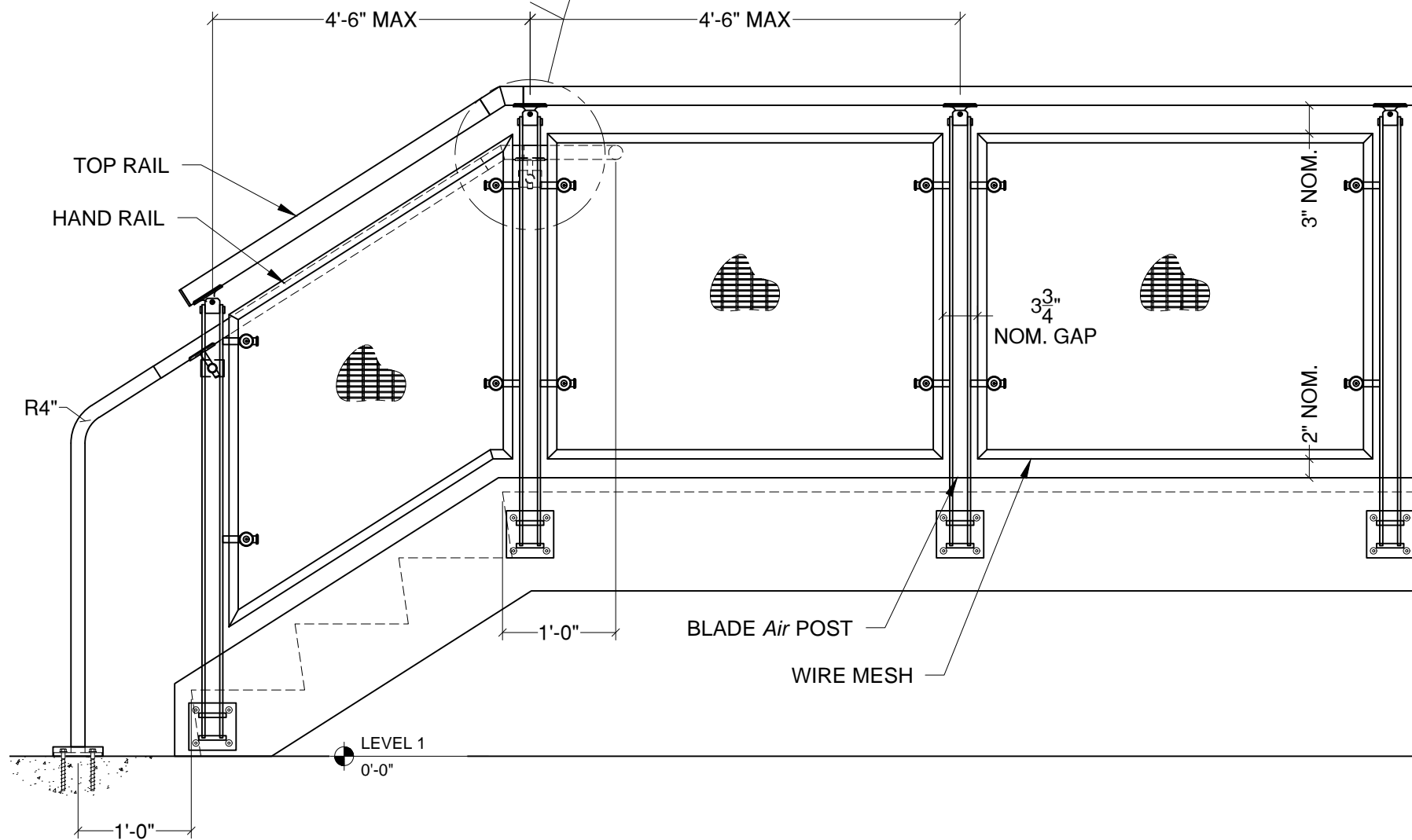
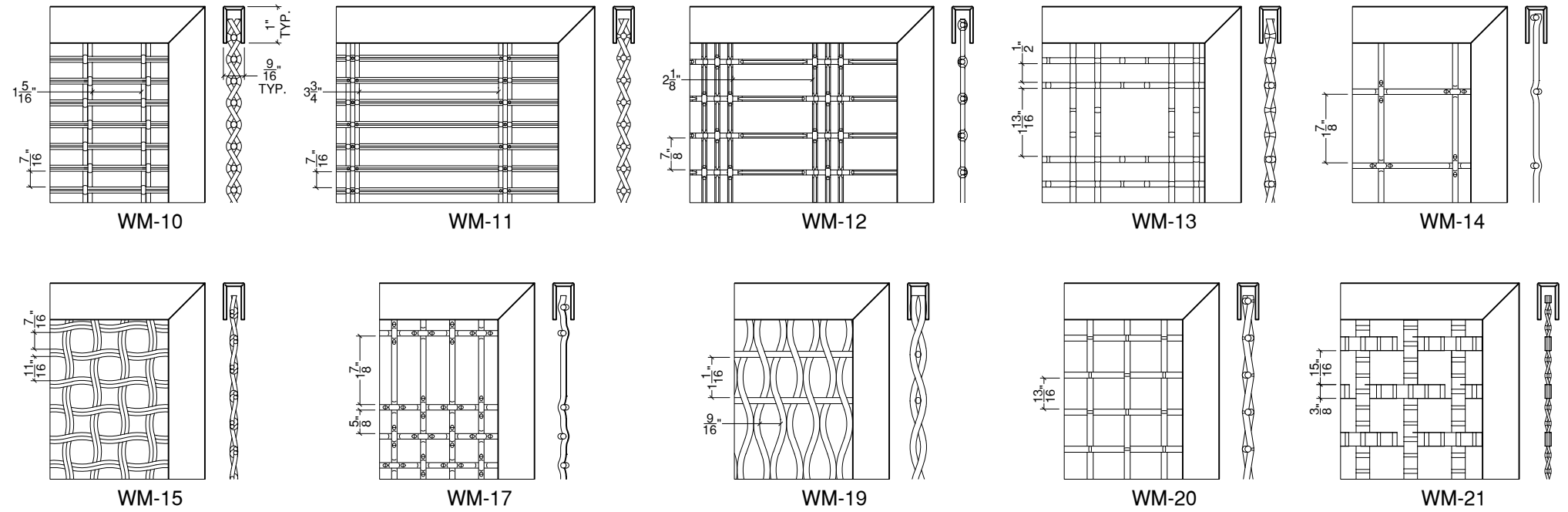
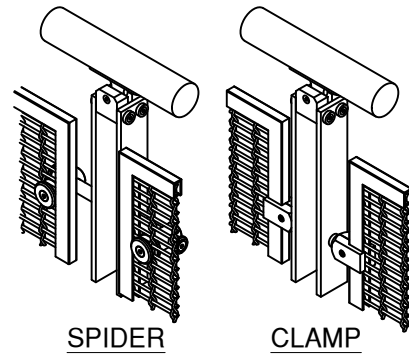


# BLADE Air RAILING SYSTEM

## WIRE MESH INFILL



### AVAILABLE WIRE MESH TYPES

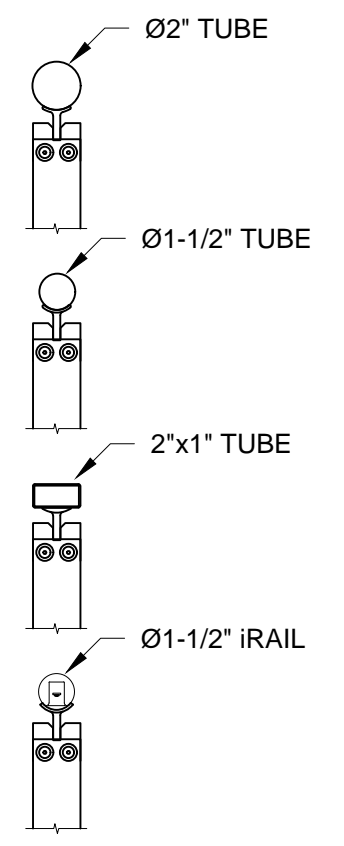
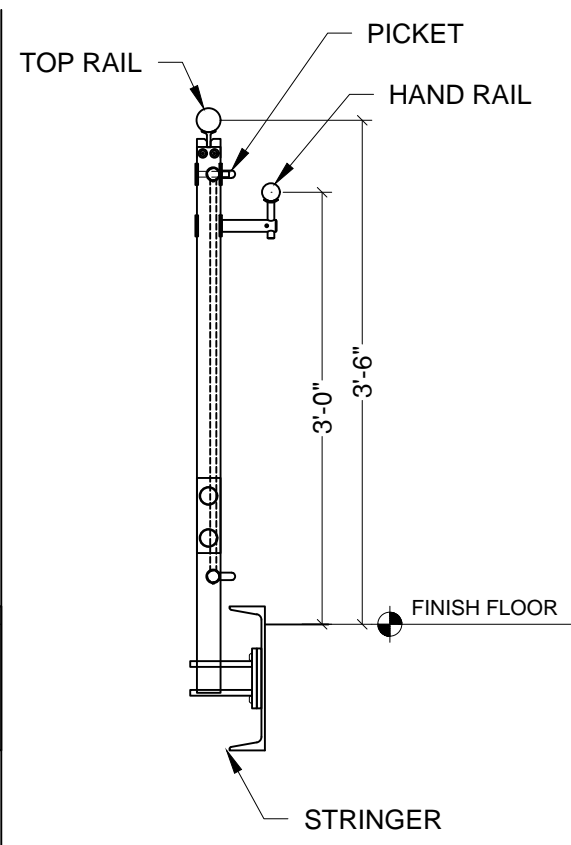
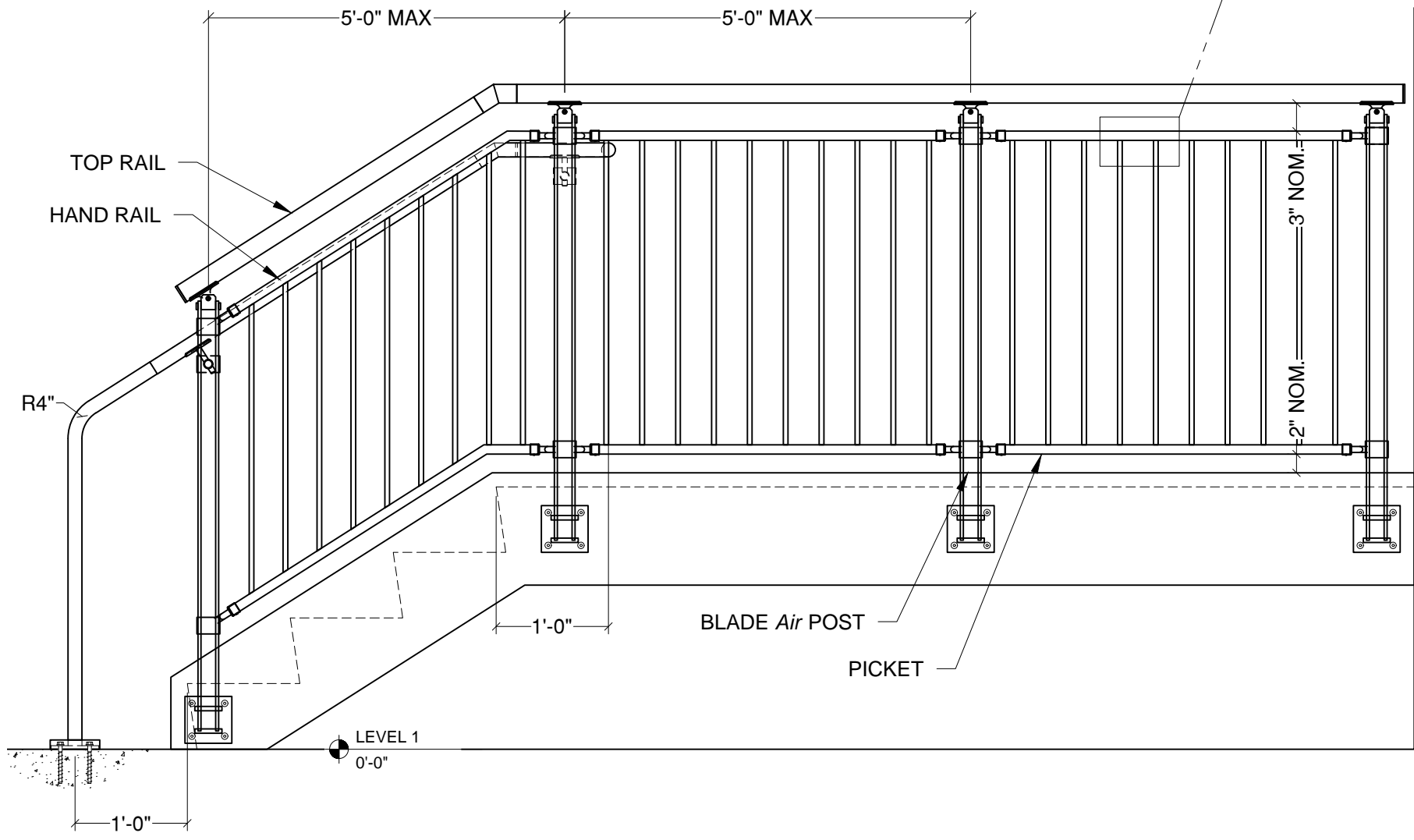
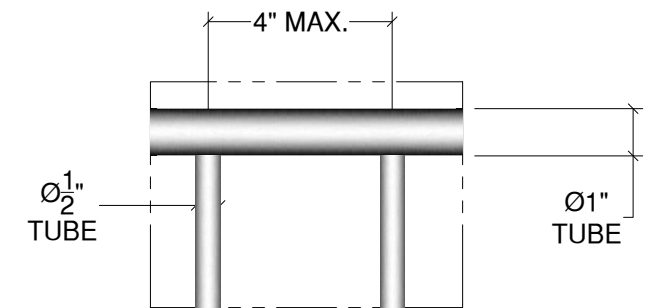


### TOP RAIL OPTIONS

VIVA RAILINGS IS NOT RESPONSIBLE FOR THE STRUCTURAL INTEGRITY OF ANY BUILDING SYSTEMS OR OTHER MATERIALS NOT FURNISHED BY VIVA RAILINGS. VIVA RAILINGS HAS NO WAY OF KNOWING AND SPECIFICALLY DISCLAIMS WHETHER OR NOT THE BUILDING SYSTEMS TO WHICH VIVA RAILINGS' PRODUCTS ARE TO BE ATTACHED ARE STRUCTURALLY SOUND OR DESIGNED TO PROPERLY SUPPORT VIVA RAILINGS'S MATERIALS. ANY SUCH DESIGN RESPONSIBILITY BELONGS TO OTHERS FOR WHOM VIVA RAILINGS IS NOT RESPONSIBLE. THESE DRAWINGS ARE INTENDED FOR THE SOLE USE OF VIVA RAILINGS' CUSTOMER AND THEIR AGENTS FOR THE INSTALLATION OF PRODUCTS FURNISHED BY VIVA RAILINGS. VIVA RAILINGS REMAINS THE SOLE OWNER OF ALL DESIGNS AND INTELLECTUAL PROPERTY CONTAINED WITHIN. REPRODUCTION AND USE OF THESE DESIGNS FOR ANY OTHER PURPOSE IS FORBIDDEN. SCALES ARE PROVIDED FOR REFERENCE ONLY. FOR PRODUCT INFORMATION AND TECHNICAL SUPPORT, PLEASE CONTACT VIVA RAILINGS.



# BLADE Air RAILING SYSTEM PICKET PANEL INFILL

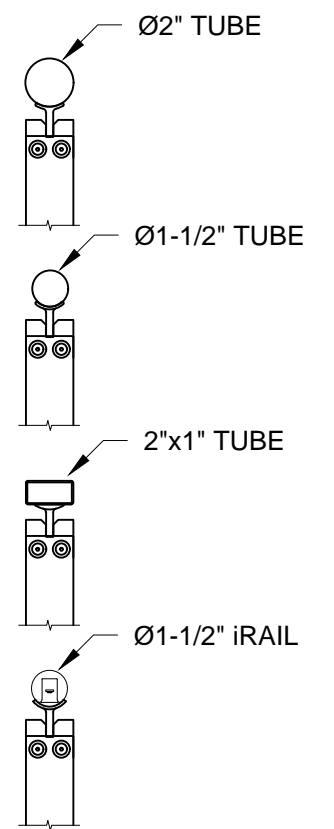
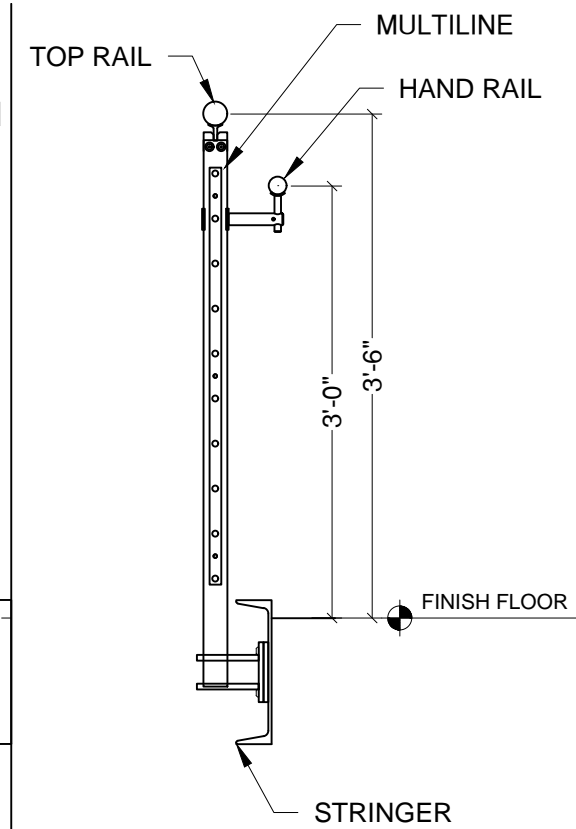
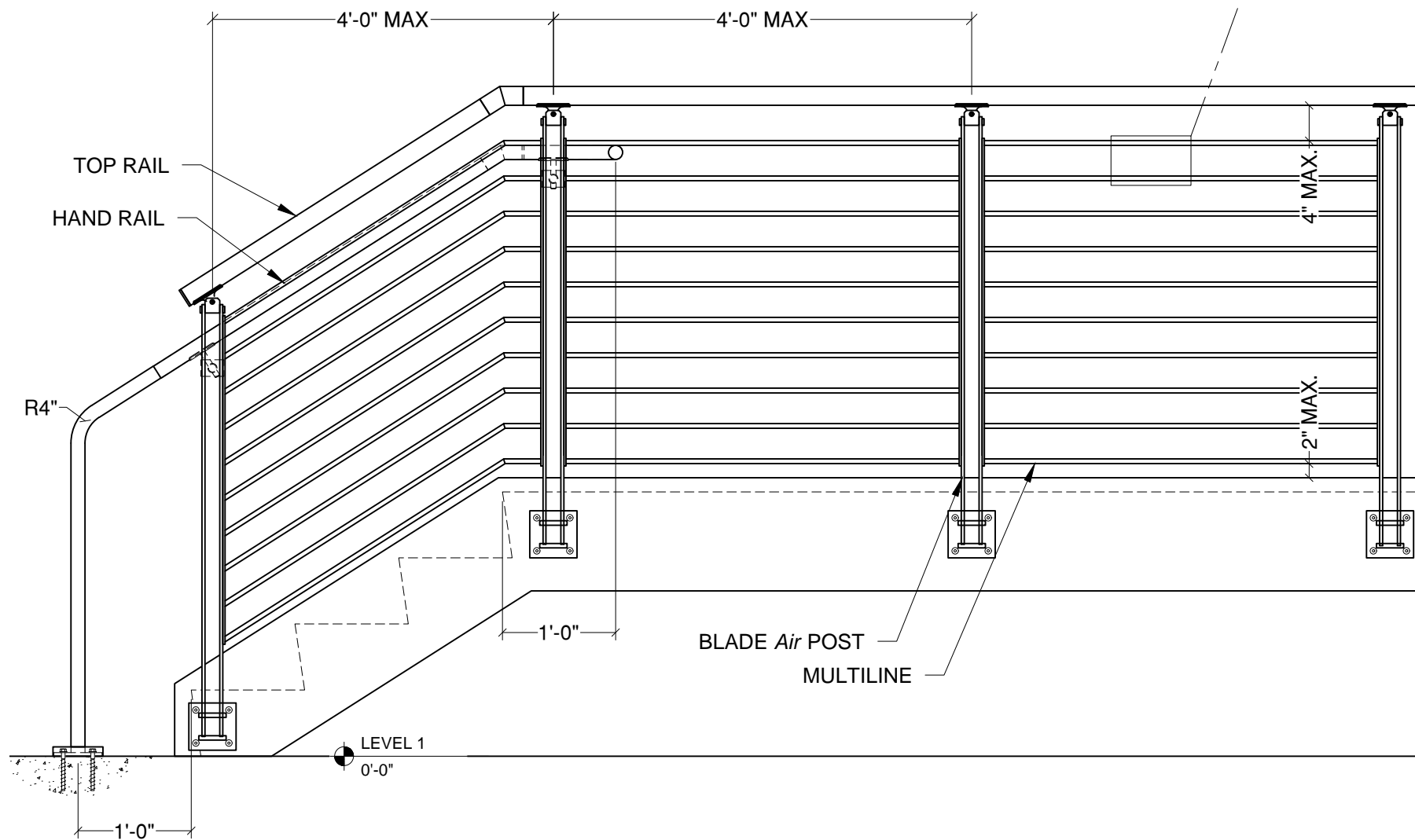


TOP RAIL OPTIONS

VIVA RAILINGS IS NOT RESPONSIBLE FOR THE STRUCTURAL INTEGRITY OF ANY BUILDING SYSTEMS OR OTHER MATERIALS NOT FURNISHED BY VIVA RAILINGS. VIVA RAILINGS HAS NO WAY OF KNOWING AND SPECIFICALLY DISCLAIMS WHETHER OR NOT THE BUILDING SYSTEMS TO WHICH VIVA RAILINGS' PRODUCTS ARE TO BE ATTACHED ARE STRUCTURALLY SOUND OR DESIGNED TO PROPERLY SUPPORT VIVA RAILINGS'S MATERIALS. ANY SUCH DESIGN RESPONSIBILITY BELONGS TO OTHERS FOR WHOM VIVA RAILINGS IS NOT RESPONSIBLE. THESE DRAWINGS ARE INTENDED FOR THE SOLE USE OF VIVA RAILINGS' CUSTOMER AND THEIR AGENTS FOR THE INSTALLATION OF PRODUCTS FURNISHED BY VIVA RAILINGS. VIVA RAILINGS REMAINS THE SOLE OWNER OF ALL DESIGNS AND INTELLECTUAL PROPERTY CONTAINED WITHIN. REPRODUCTION AND USE OF THESE DESIGNS FOR ANY OTHER PURPOSE IS FORBIDDEN. SCALES ARE PROVIDED FOR REFERENCE ONLY. FOR PRODUCT INFORMATION AND TECHNICAL SUPPORT, PLEASE CONTACT VIVA RAILINGS.



# BLADE Air RAILING SYSTEM MULTILINE INFILL

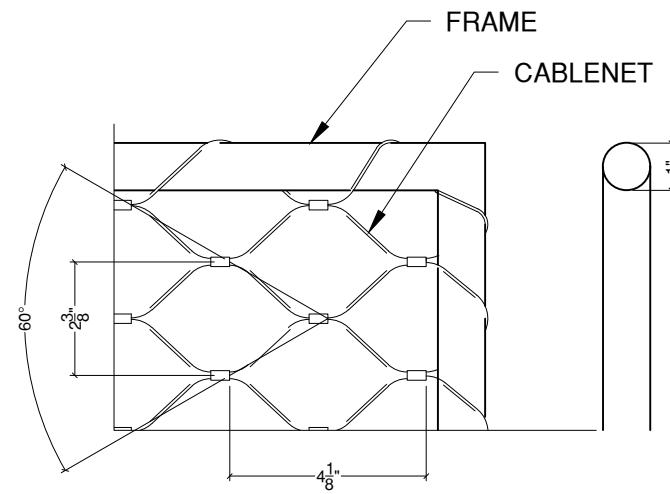
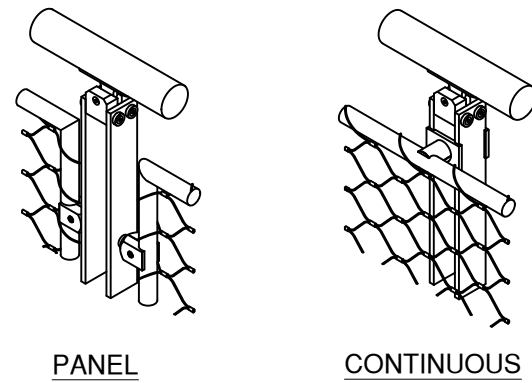
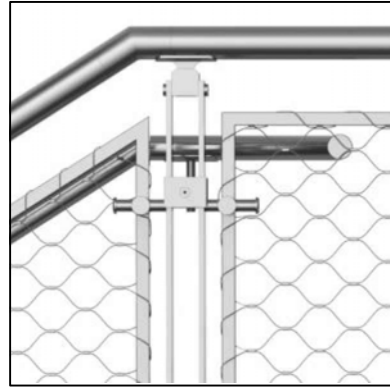


TOP RAIL OPTIONS

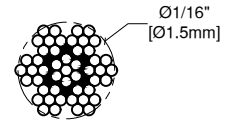
VIVA RAILINGS IS NOT RESPONSIBLE FOR THE STRUCTURAL INTEGRITY OF ANY BUILDING SYSTEMS OR OTHER MATERIALS NOT FURNISHED BY VIVA RAILINGS. VIVA RAILINGS HAS NO WAY OF KNOWING AND SPECIFICALLY DISCLAIMS WHETHER OR NOT THE BUILDING SYSTEMS TO WHICH VIVA RAILINGS' PRODUCTS ARE TO BE ATTACHED ARE STRUCTURALLY SOUND OR DESIGNED TO PROPERLY SUPPORT VIVA RAILINGS'S MATERIALS. ANY SUCH DESIGN RESPONSIBILITY BELONGS TO OTHERS FOR WHOM VIVA RAILINGS IS NOT RESPONSIBLE. THESE DRAWINGS ARE INTENDED FOR THE SOLE USE OF VIVA RAILINGS' CUSTOMER AND THEIR AGENTS FOR THE INSTALLATION OF PRODUCTS FURNISHED BY VIVA RAILINGS. VIVA RAILINGS REMAINS THE SOLE OWNER OF ALL DESIGNS AND INTELLECTUAL PROPERTY CONTAINED WITHIN. REPRODUCTION AND USE OF THESE DESIGNS FOR ANY OTHER PURPOSE IS FORBIDDEN. SCALES ARE PROVIDED FOR REFERENCE ONLY. FOR PRODUCT INFORMATION AND TECHNICAL SUPPORT, PLEASE CONTACT VIVA RAILINGS.



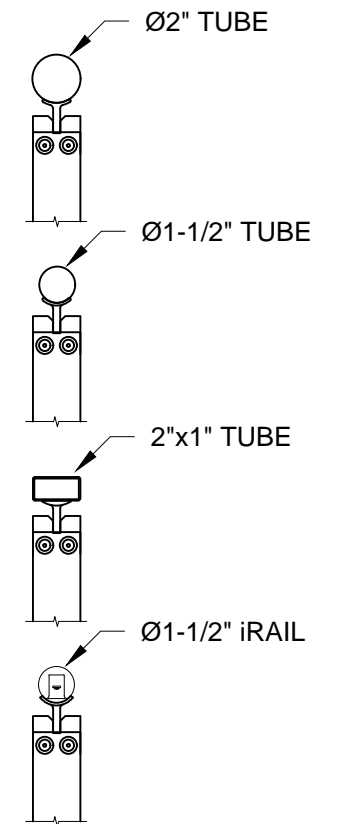
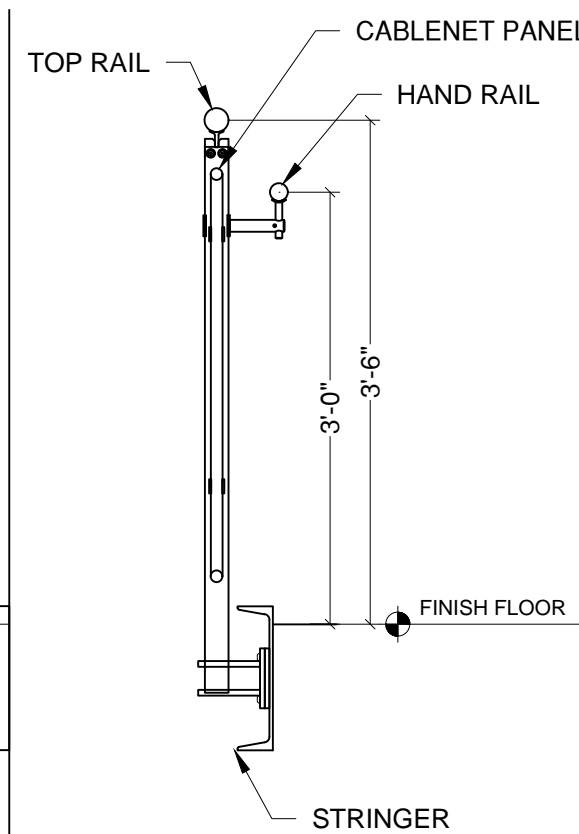
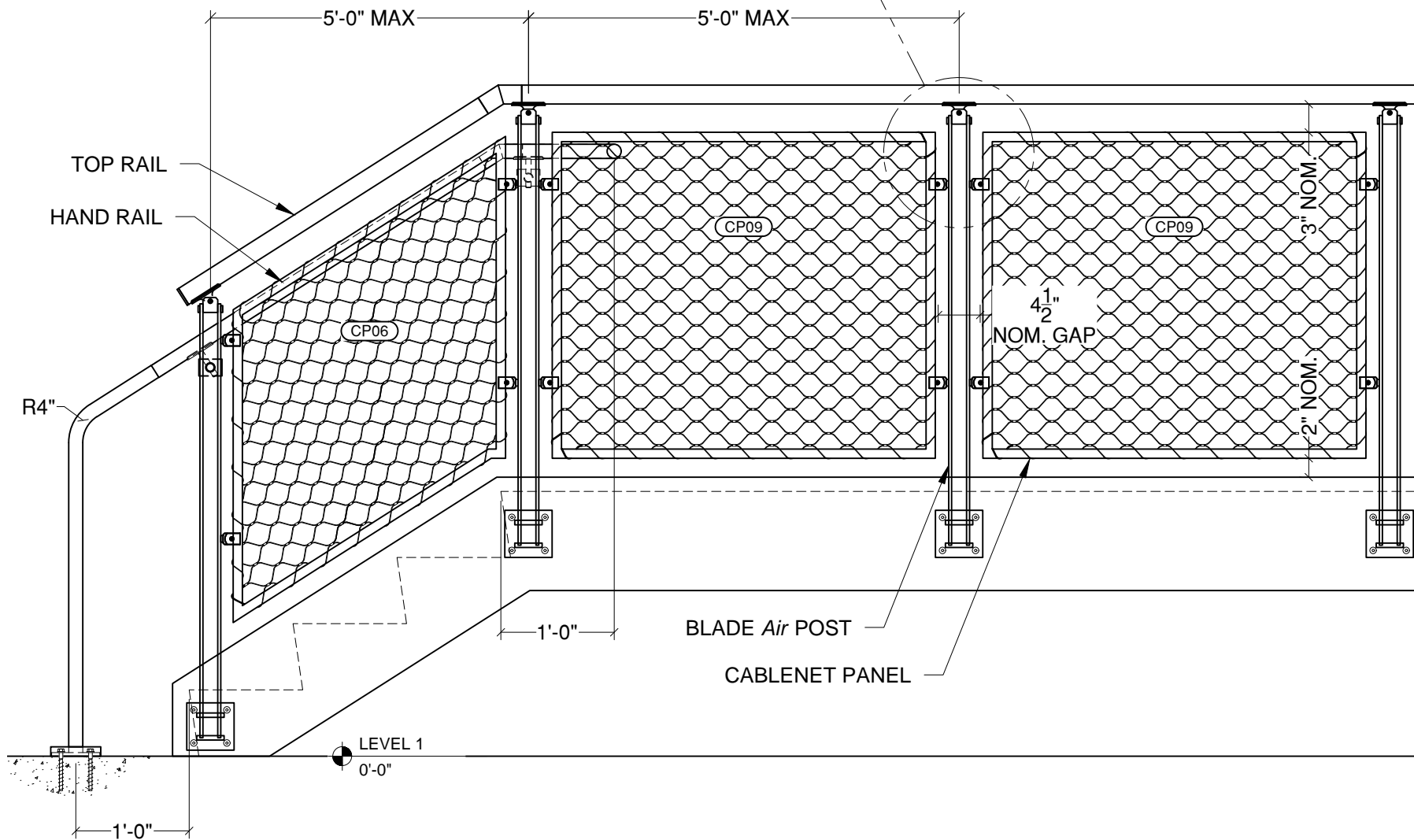
# BLADE Air RAILING SYSTEM CABLENET INFILL



DIMENSIONS ARE  
NOMINAL



7x7 CONSTRUCTION  
CABLE



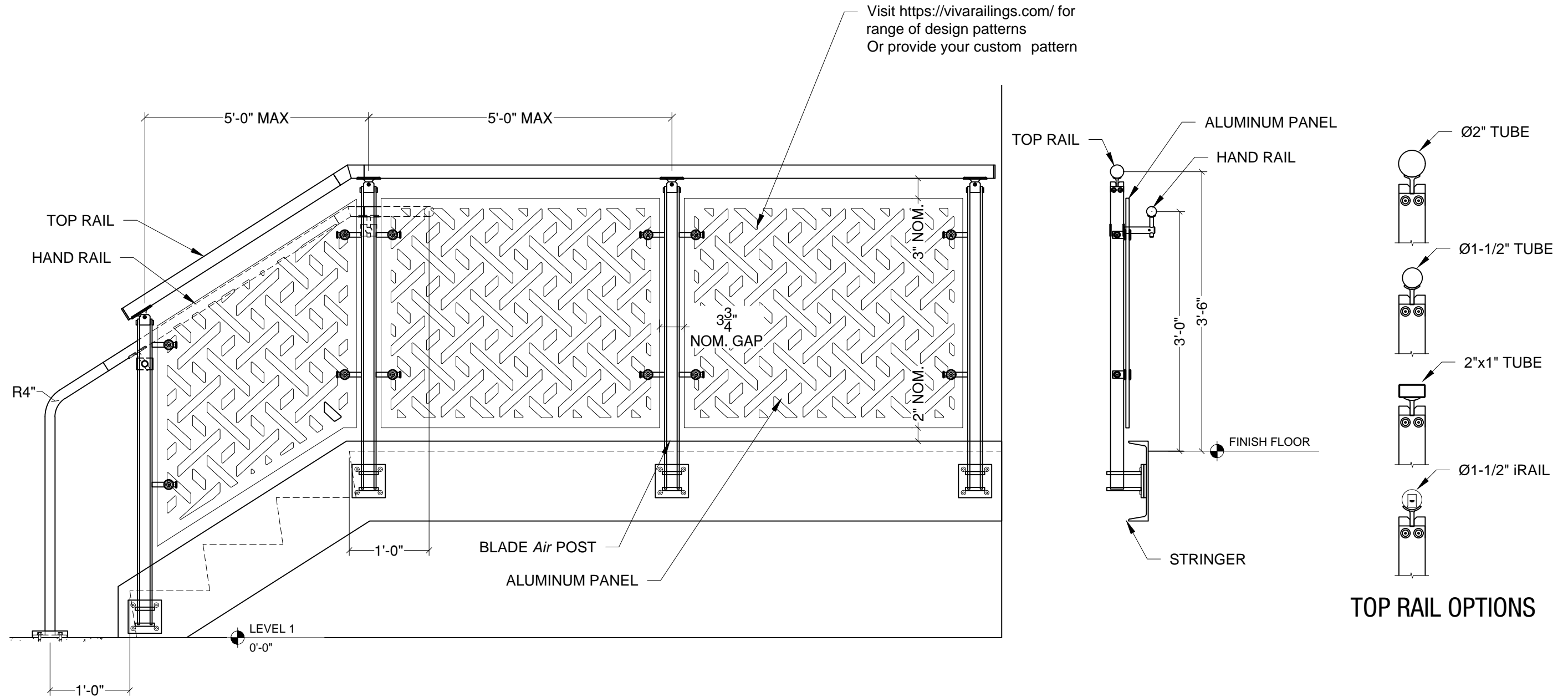
TOP RAIL OPTIONS

VIVA RAILINGS IS NOT RESPONSIBLE FOR THE STRUCTURAL INTEGRITY OF ANY BUILDING SYSTEMS OR OTHER MATERIALS NOT FURNISHED BY VIVA RAILINGS. VIVA RAILINGS HAS NO WAY OF KNOWING AND SPECIFICALLY DISCLAIMS WHETHER OR NOT THE BUILDING SYSTEMS TO WHICH VIVA RAILINGS' PRODUCTS ARE TO BE ATTACHED ARE STRUCTURALLY SOUND OR DESIGNED TO PROPERLY SUPPORT VIVA RAILINGS'S MATERIALS. ANY SUCH DESIGN RESPONSIBILITY BELONGS TO OTHERS FOR WHOM VIVA RAILINGS IS NOT RESPONSIBLE. THESE DRAWINGS ARE INTENDED FOR THE SOLE USE OF VIVA RAILINGS' CUSTOMER AND THEIR AGENTS FOR THE INSTALLATION OF PRODUCTS FURNISHED BY VIVA RAILINGS. VIVA RAILINGS REMAINS THE SOLE OWNER OF ALL DESIGNS AND INTELLECTUAL PROPERTY CONTAINED WITHIN. REPRODUCTION AND USE OF THESE DESIGNS FOR ANY OTHER PURPOSE IS FORBIDDEN. SCALES ARE PROVIDED FOR REFERENCE ONLY. FOR PRODUCT INFORMATION AND TECHNICAL SUPPORT, PLEASE CONTACT VIVA RAILINGS.





# BLADE Air RAILING SYSTEM LASERCUT INFILL

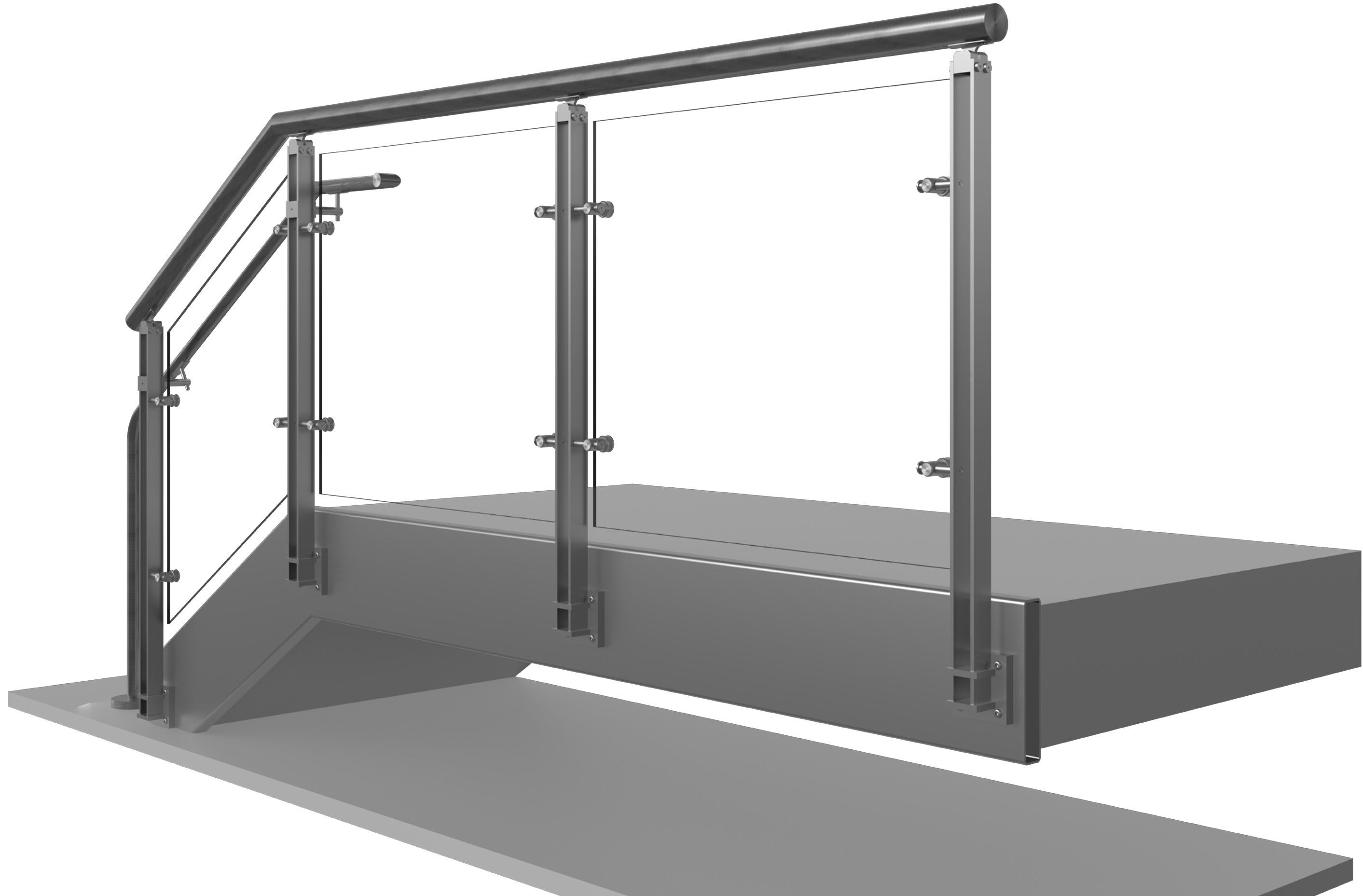


VIVA RAILINGS IS NOT RESPONSIBLE FOR THE STRUCTURAL INTEGRITY OF ANY BUILDING SYSTEMS OR OTHER MATERIALS NOT FURNISHED BY VIVA RAILINGS. VIVA RAILINGS HAS NO WAY OF KNOWING AND SPECIFICALLY DISCLAIMS WHETHER OR NOT THE BUILDING SYSTEMS TO WHICH VIVA RAILINGS' PRODUCTS ARE TO BE ATTACHED ARE STRUCTURALLY SOUND OR DESIGNED TO PROPERLY SUPPORT VIVA RAILINGS'S MATERIALS. ANY SUCH DESIGN RESPONSIBILITY BELONGS TO OTHERS FOR WHOM VIVA RAILINGS IS NOT RESPONSIBLE. THESE DRAWINGS ARE INTENDED FOR THE SOLE USE OF VIVA RAILINGS' CUSTOMER AND THEIR AGENTS FOR THE INSTALLATION OF PRODUCTS FURNISHED BY VIVA RAILINGS. VIVA RAILINGS REMAINS THE SOLE OWNER OF ALL DESIGNS AND INTELLECTUAL PROPERTY CONTAINED WITHIN. REPRODUCTION AND USE OF THESE DESIGNS FOR ANY OTHER PURPOSE IS FORBIDDEN. SCALES ARE PROVIDED FOR REFERENCE ONLY. FOR PRODUCT INFORMATION AND TECHNICAL SUPPORT, PLEASE CONTACT VIVA RAILINGS.



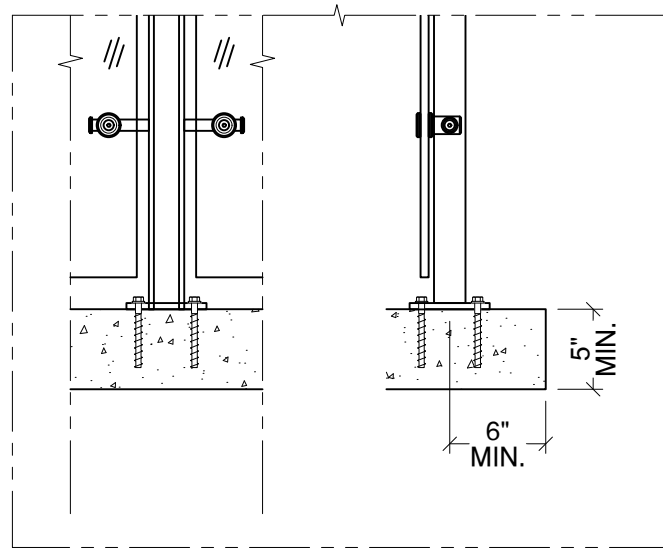


# BLADE Air GLASS RAILING SYSTEM



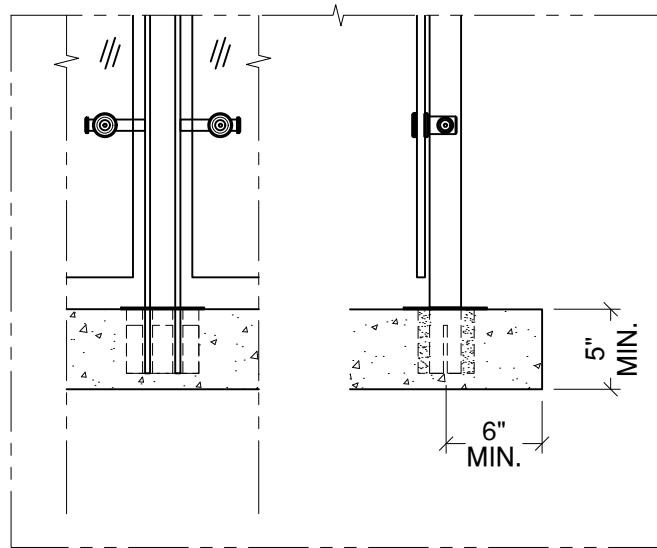
# BLADE Air RAILING SYSTEM

## MOUNTING CONDITION, TOP MOUNTED POST



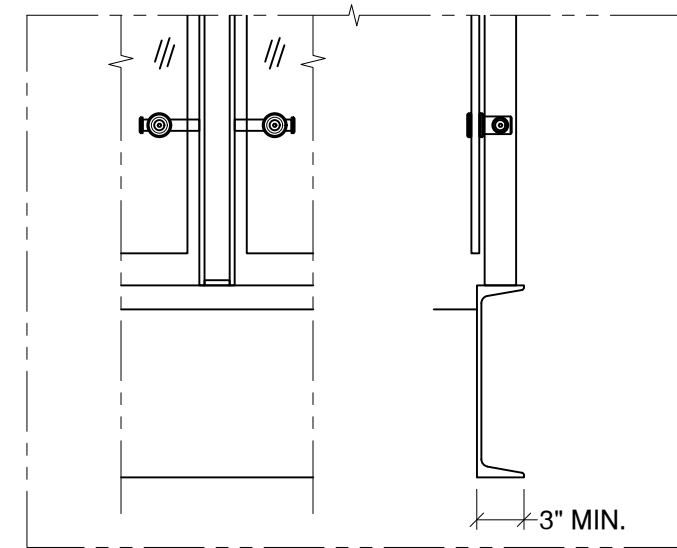
Anchored to Concrete <sup>1</sup> - \$ <sup>2</sup>

Detail# BLA-T01 <sup>3</sup>



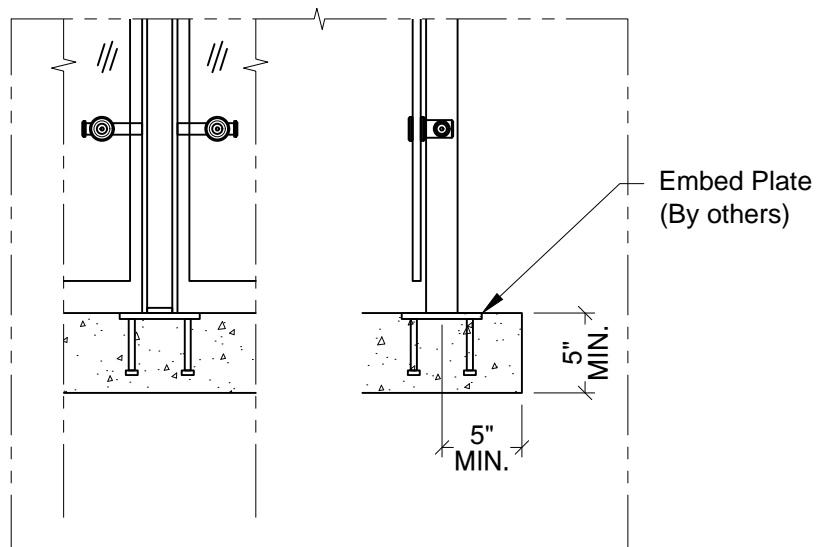
Cored into Concrete - \$\$

Detail# BLA-T02



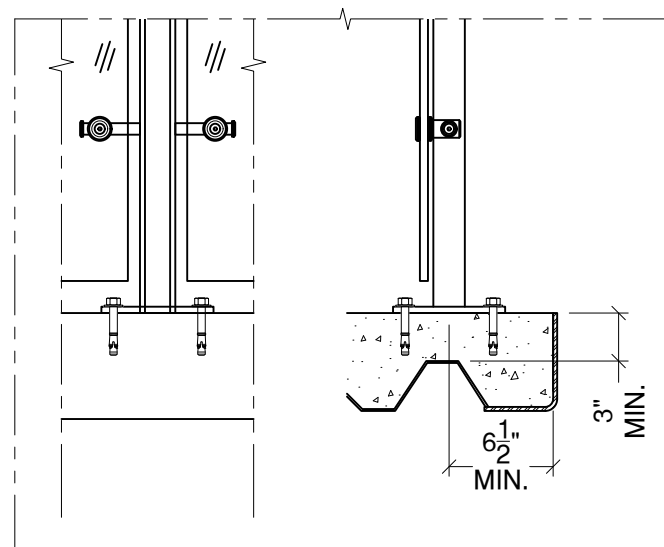
Welded @ Steel Channel - \$

Detail# BLA-T03



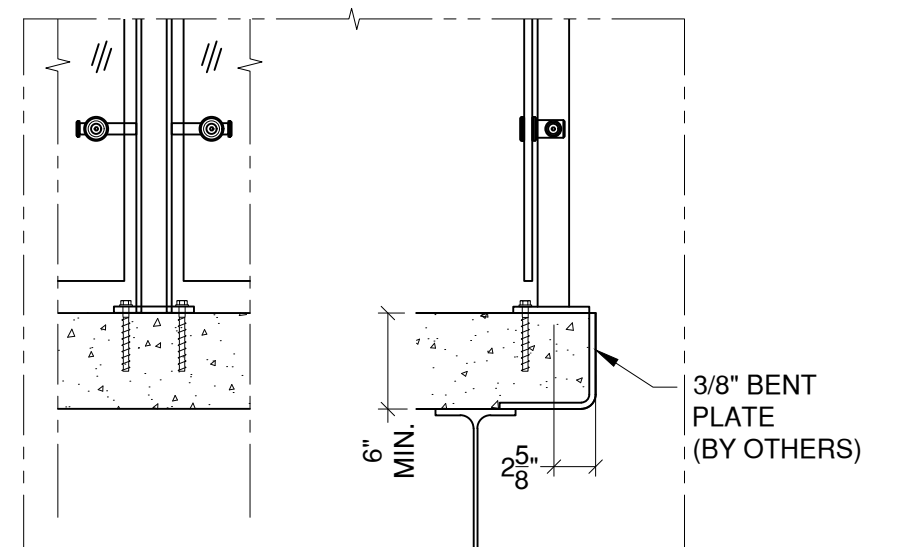
Welded @ Embed Plate - \$

Detail# BLA-T04



Anchored to Concrete Slab on Deck - \$\$

Detail# BLA-T05



Anchored to Concrete  
Welded to Steel Plate - \$

Detail# BLA-T06

(1) Min. 4000 PSI concrete, Typ.

(2) \$ to \$\$\$: Indicates mounting type comparative cost

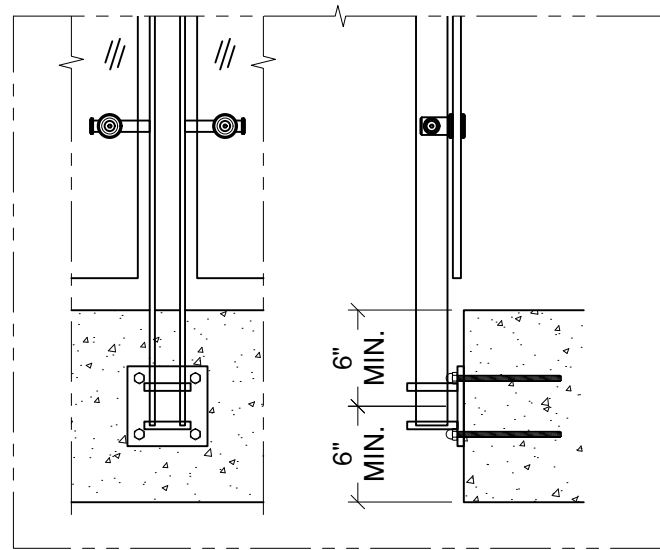
(3) Bolting is not a available option for top mount with cable infill

VIVA RAILINGS IS NOT RESPONSIBLE FOR THE STRUCTURAL INTEGRITY OF ANY BUILDING SYSTEMS OR OTHER MATERIALS NOT FURNISHED BY VIVA RAILINGS. VIVA RAILINGS HAS NO WAY OF KNOWING AND SPECIFICALLY DISCLAIMS WHETHER OR NOT THE BUILDING SYSTEMS TO WHICH VIVA RAILINGS' PRODUCTS ARE TO BE ATTACHED ARE STRUCTURALLY SOUND OR DESIGNED TO PROPERLY SUPPORT VIVA RAILINGS'S MATERIALS. ANY SUCH DESIGN RESPONSIBILITY BELONGS TO OTHERS FOR WHOM VIVA RAILINGS IS NOT RESPONSIBLE. THESE DRAWINGS ARE INTENDED FOR THE SOLE USE OF VIVA RAILINGS' CUSTOMER AND THEIR AGENTS FOR THE INSTALLATION OF PRODUCTS FURNISHED BY VIVA RAILINGS. VIVA RAILINGS REMAINS THE SOLE OWNER OF ALL DESIGNS AND INTELLECTUAL PROPERTY CONTAINED WITHIN. REPRODUCTION AND USE OF THESE DESIGNS FOR ANY OTHER PURPOSE IS FORBIDDEN. SCALES ARE PROVIDED FOR REFERENCE ONLY. FOR PRODUCT INFORMATION AND TECHNICAL SUPPORT, PLEASE CONTACT VIVA RAILINGS.



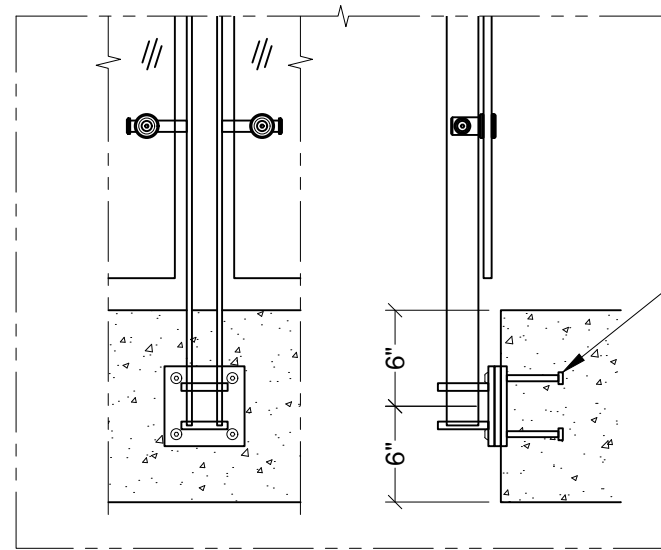
# BLADE Air RAILING SYSTEM

## MOUNTING CONDITION, FASCIA MOUNTED POST



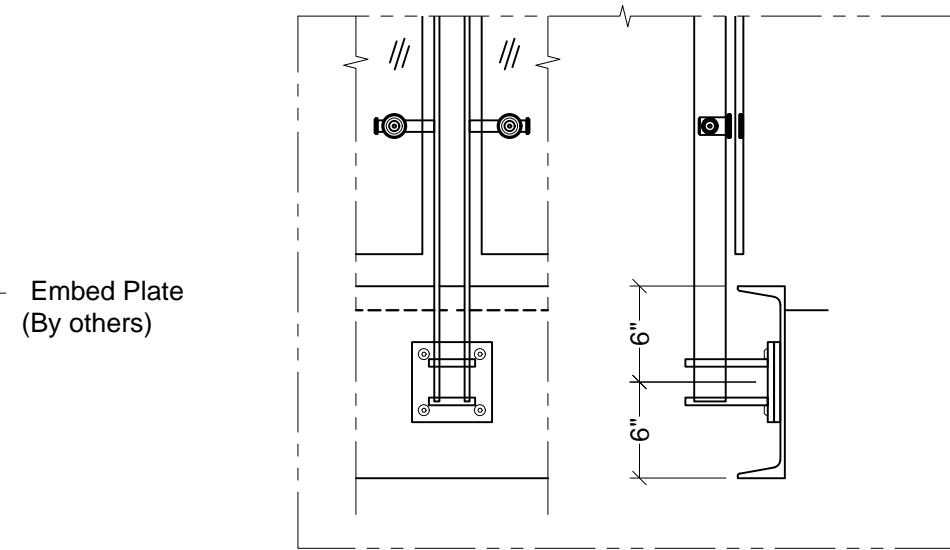
Anchored to Concrete <sup>1</sup> - \$\$\$

Detail# BLA-F01



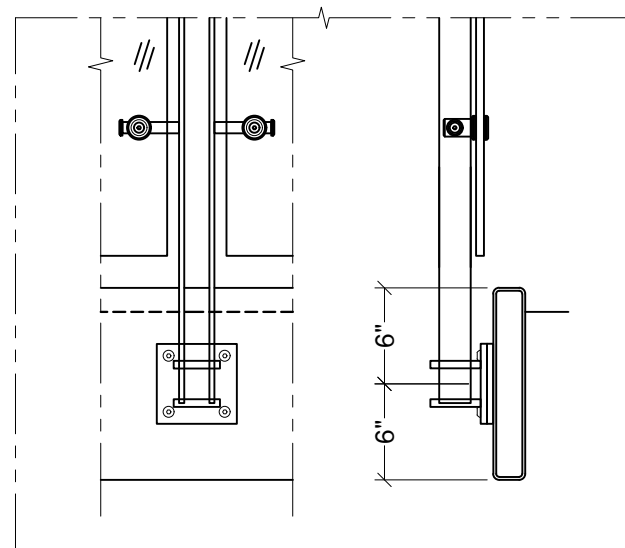
Welded @ Embed Plate - \$\$

Detail# BLA-F02



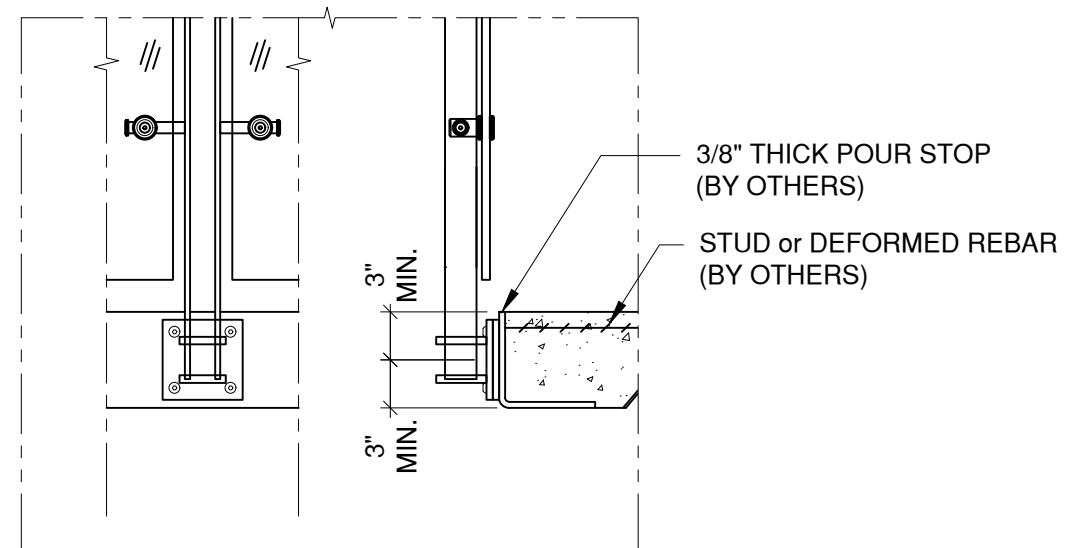
Welded @ Steel Channel - \$\$

Detail# BLA-F03



Welded @ Steel Tube - \$\$

Detail# BLA-F04



Welded @ Pour Stop - \$\$

Detail# BLA-F05

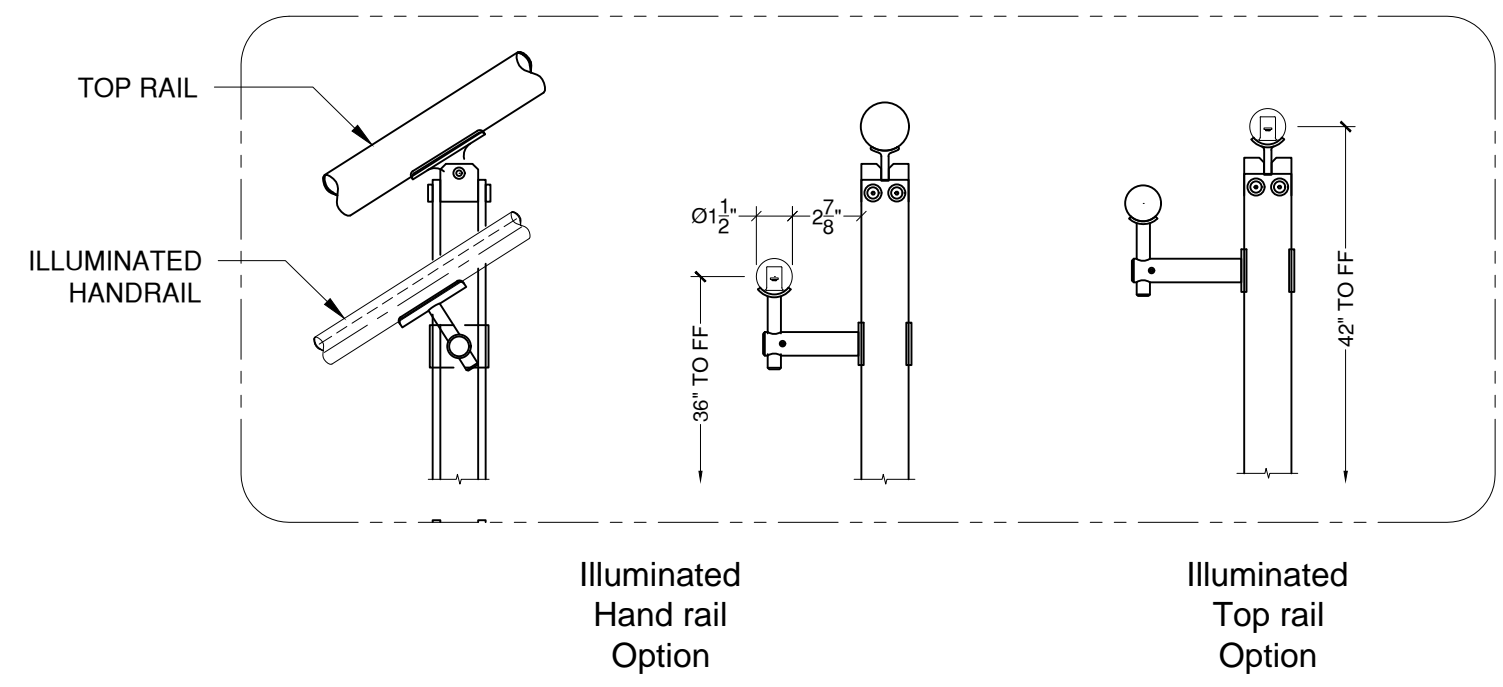
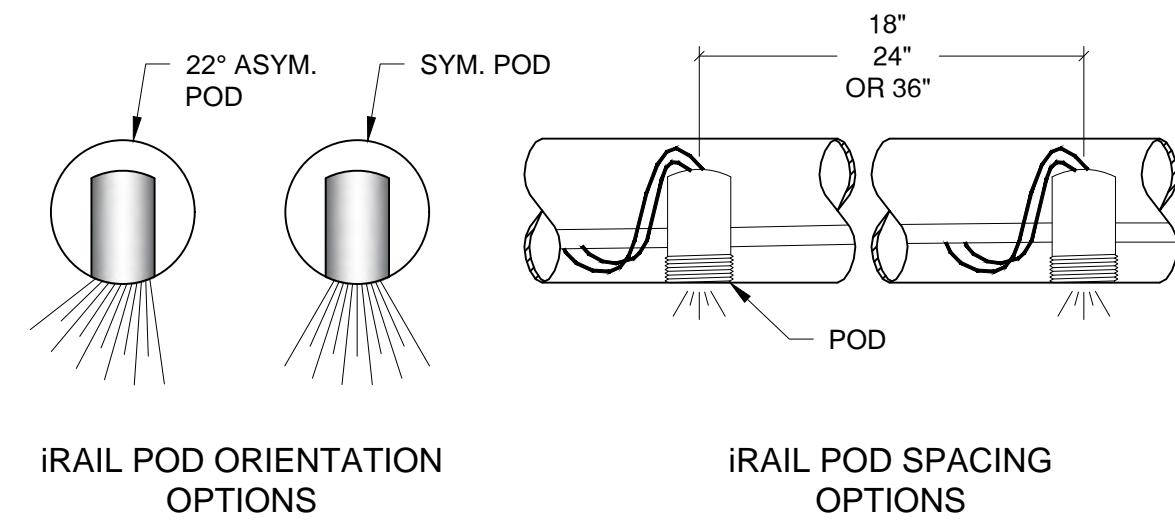
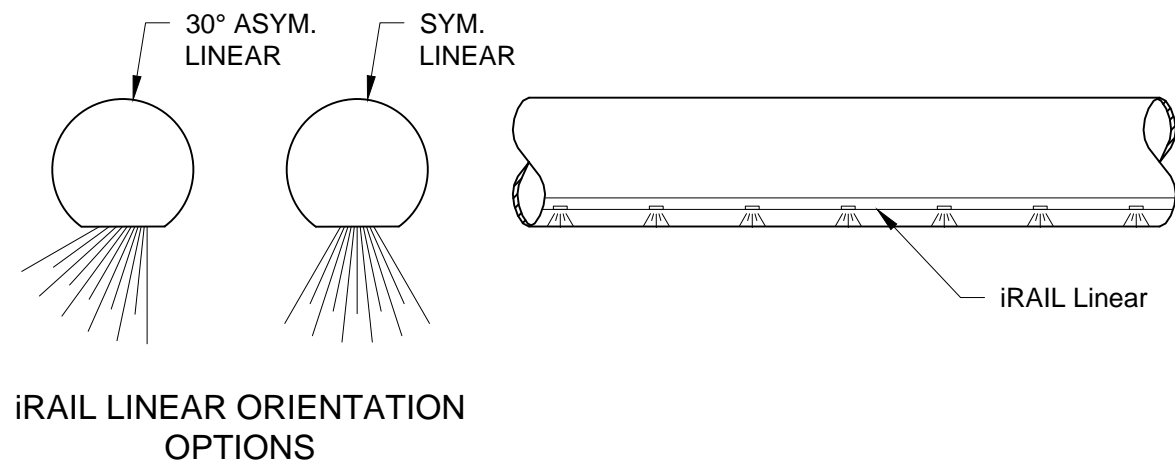
(1) Min. 4000 PSI concrete, Typ.

VIVA RAILINGS IS NOT RESPONSIBLE FOR THE STRUCTURAL INTEGRITY OF ANY BUILDING SYSTEMS OR OTHER MATERIALS NOT FURNISHED BY VIVA RAILINGS. VIVA RAILINGS HAS NO WAY OF KNOWING AND SPECIFICALLY DISCLAIMS WHETHER OR NOT THE BUILDING SYSTEMS TO WHICH VIVA RAILINGS' PRODUCTS ARE TO BE ATTACHED ARE STRUCTURALLY SOUND OR DESIGNED TO PROPERLY SUPPORT VIVA RAILINGS'S MATERIALS. ANY SUCH DESIGN RESPONSIBILITY BELONGS TO OTHERS FOR WHOM VIVA RAILINGS IS NOT RESPONSIBLE. THESE DRAWINGS ARE INTENDED FOR THE SOLE USE OF VIVA RAILINGS' CUSTOMER AND THEIR AGENTS FOR THE INSTALLATION OF PRODUCTS FURNISHED BY VIVA RAILINGS. VIVA RAILINGS REMAINS THE SOLE OWNER OF ALL DESIGNS AND INTELLECTUAL PROPERTY CONTAINED WITHIN. REPRODUCTION AND USE OF THESE DESIGNS FOR ANY OTHER PURPOSE IS FORBIDDEN. SCALES ARE PROVIDED FOR REFERENCE ONLY. FOR PRODUCT INFORMATION AND TECHNICAL SUPPORT, PLEASE CONTACT VIVA RAILINGS.



# BLADE Air RAILING SYSTEM

## ILLUMINATED RAILING



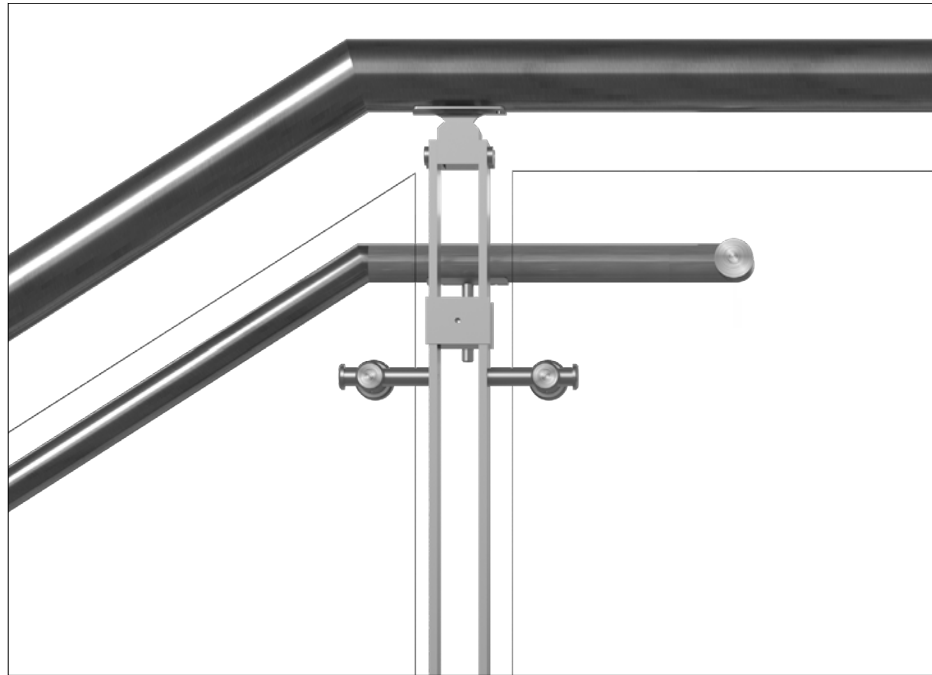
**iRAIL** LIGHTED RAILING SYSTEM



# BLADE Air GLASS RAILING SYSTEM

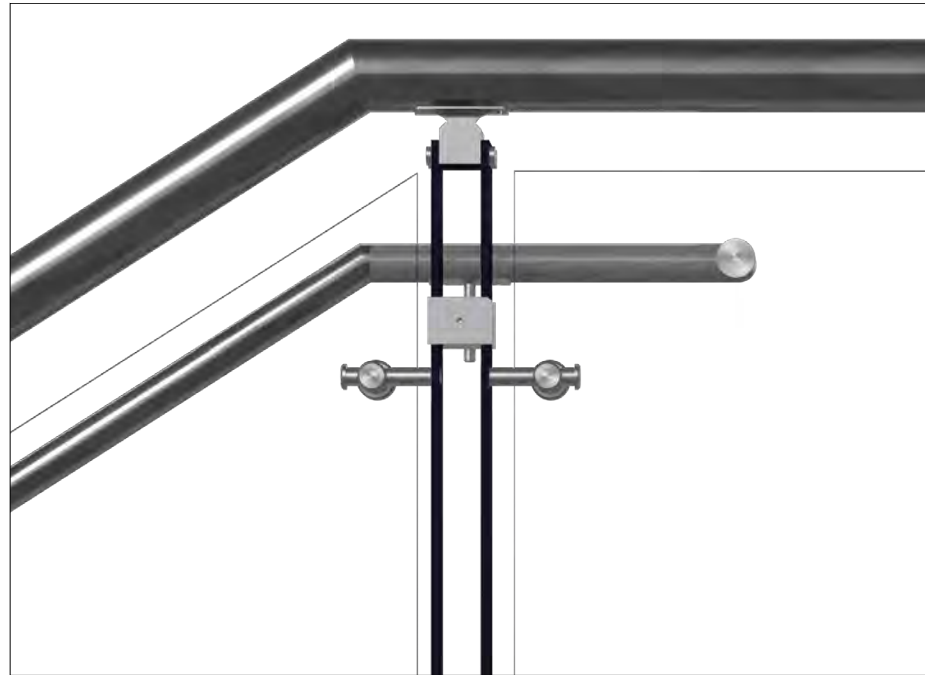
## FINISHING OPTIONS

### #6 SATIN - #8 MIRROR



#8 Mirror Finish comes at an additional cost to our #6 Finish.

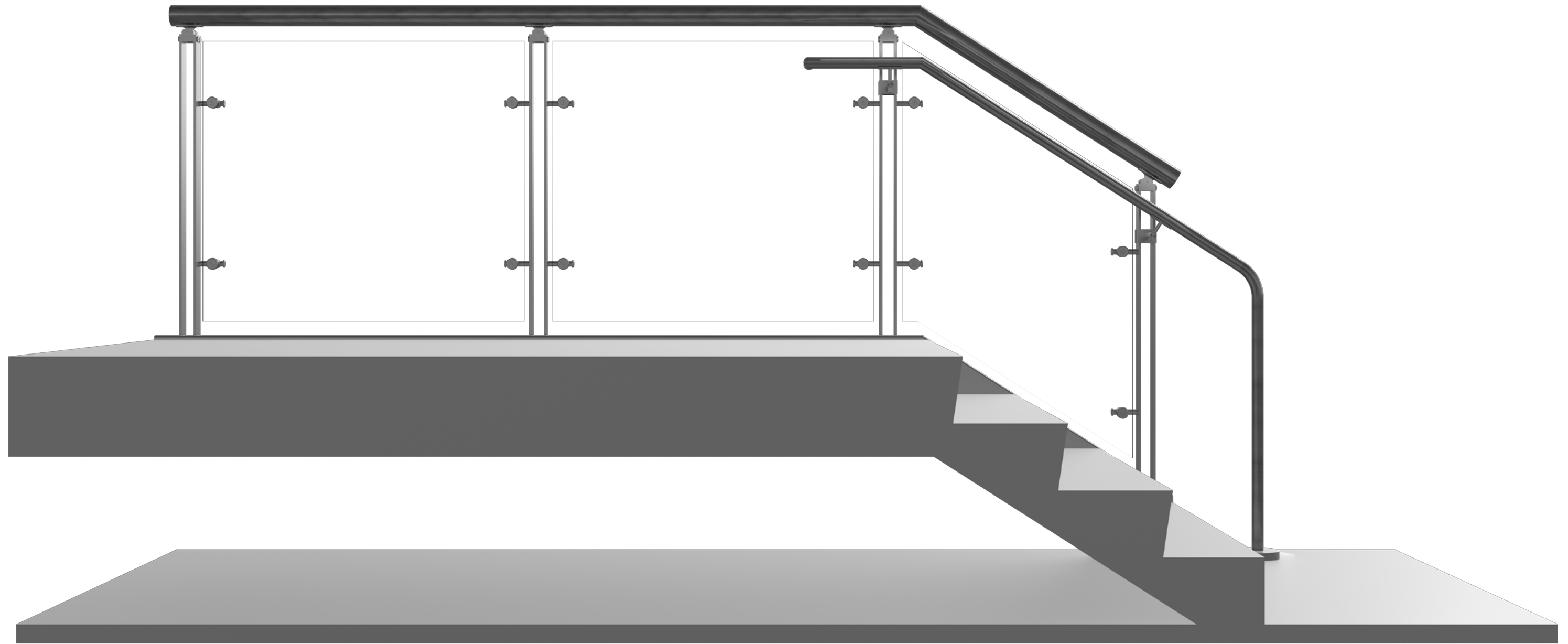
### CERASHIELD\* Ceramic Coating



Enhanced durability and superior protection.  
Available in a wide range of colors.  
(Replaces traditional powder coat finish options.)

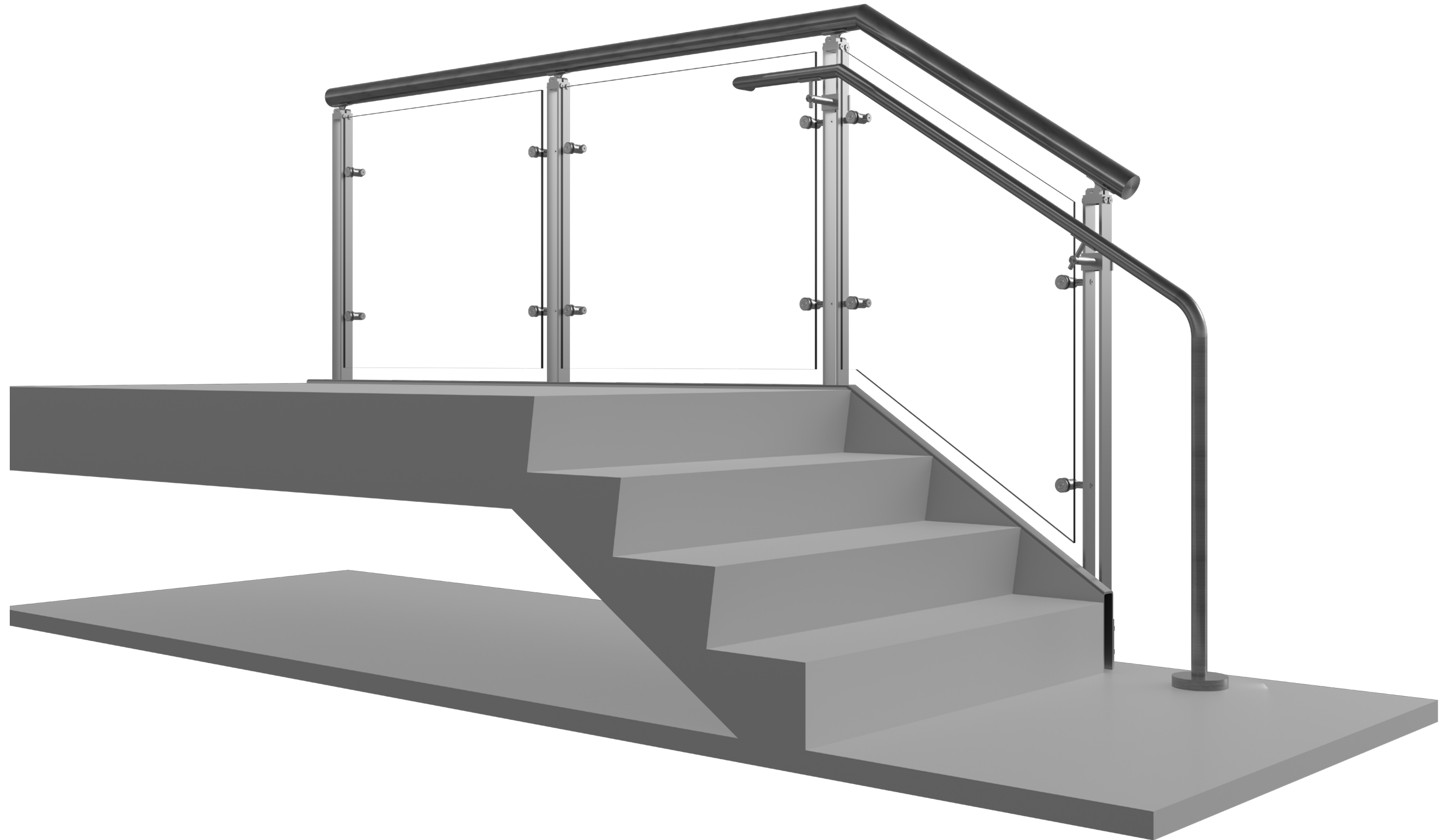
\*VIVA Railings now proudly offers CERASHIELD Ceramic Coating (powered by CERAKOTE Technology) as our premium finishing option, providing enhanced durability and superior protection for interior and exterior applications. While CERASHIELD offers unparalleled advantages in hardness, corrosion resistance, UV stability, and chemical resistance, we will continue to offer standard Powder Coat finishes to meet a variety of aesthetic preferences.

# BLADE Air GLASS RAILING SYSTEM

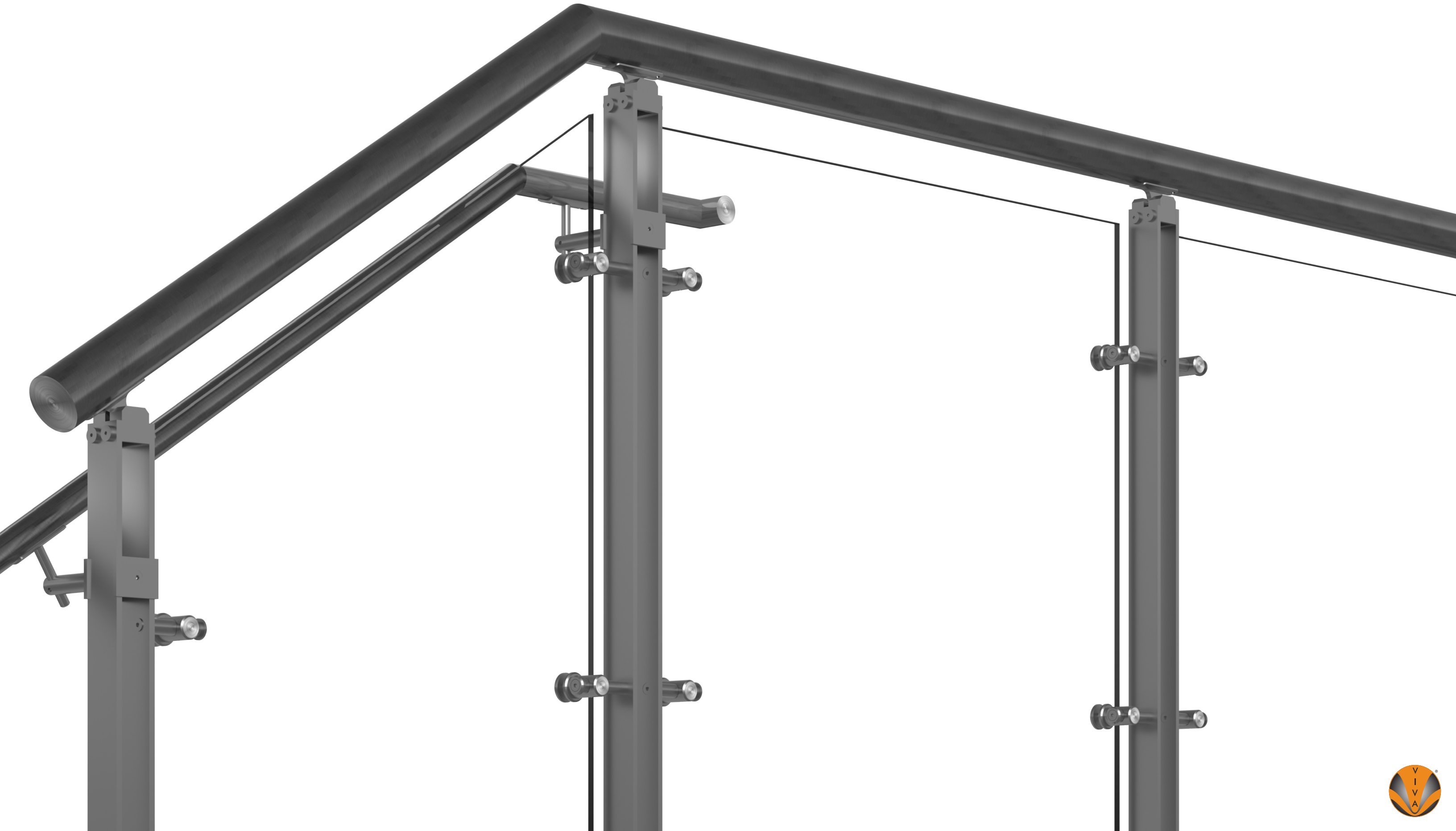




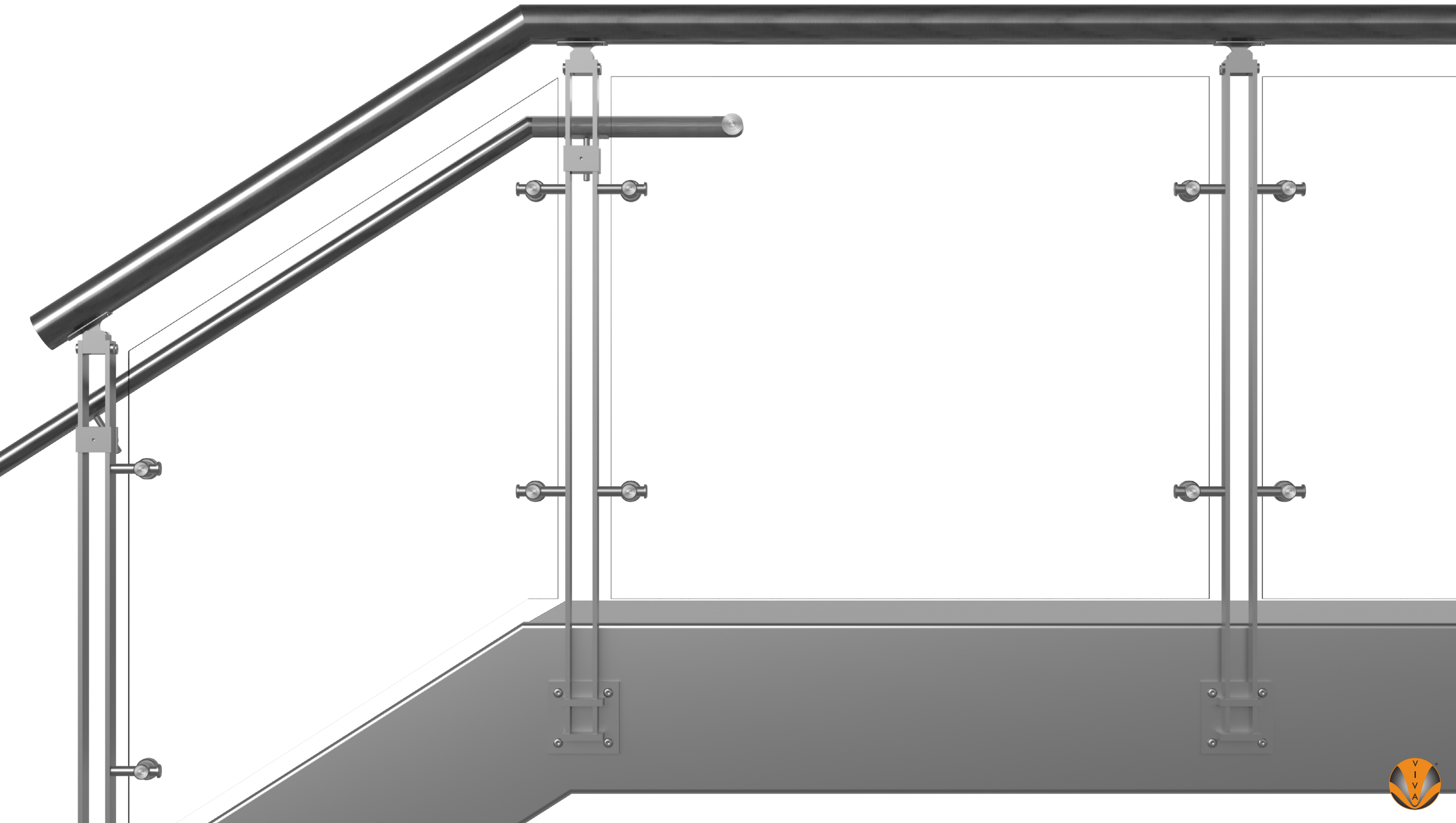
# BLADE Air GLASS RAILING SYSTEM



# BLADE Air GLASS RAILING SYSTEM



# BLADE Air GLASS RAILING SYSTEM





**DESIGN + ENGINEER + FABRICATE + INSTALL**

**151 W. Vista Ridge Mall Dr. Lewisville, TX 75067**

(Dallas/Fort Worth Metroplex)

PH: 972.353.8482 | [info@vivarailings.com](mailto:info@vivarailings.com)  
[vivarailings.com](http://vivarailings.com)



Inc. Magazine 500 | 5000  
VIVA RAILINGS, LLC.  
Among The Fastest Growing  
US Companies  
Eight Years in a Row  
**2012-2019**



Inc. Magazine 500 | 5000  
VIVA RAILINGS, LLC.  
Among The Fastest Growing  
Texas Companies  
**#211**



ICC-ES 4405 Certified  
**SHOE™**  
Structural Glass Railing System



LEED  
Material & Resources Credits 4.1 and 4.2



The American Institute of Architects



The California Contractors State License  
Board Certified