



# CUBE™ CABLE RAILING SYSTEM PRODUCT DATA



DESIGN + ENGINEER + FABRICATE + INSTALL

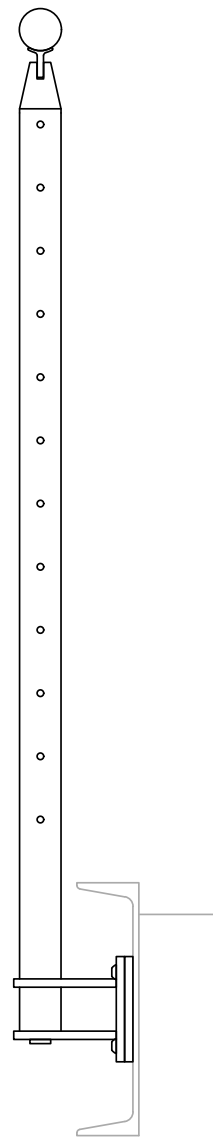
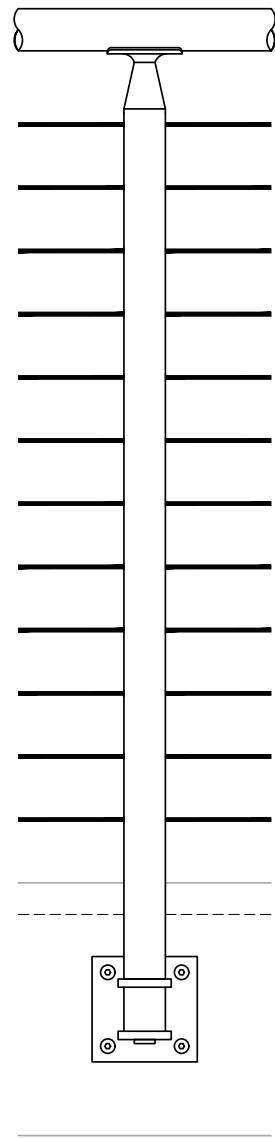
CUBE - AVAILABLE INFILLS	
Glass	
Perforated Metal	
Wire Mesh	
Picket Panel	
CableNet	
Multiline	
Laser Cut Panels	
Cable	



# CUBE™ CABLE RAILING SYSTEM

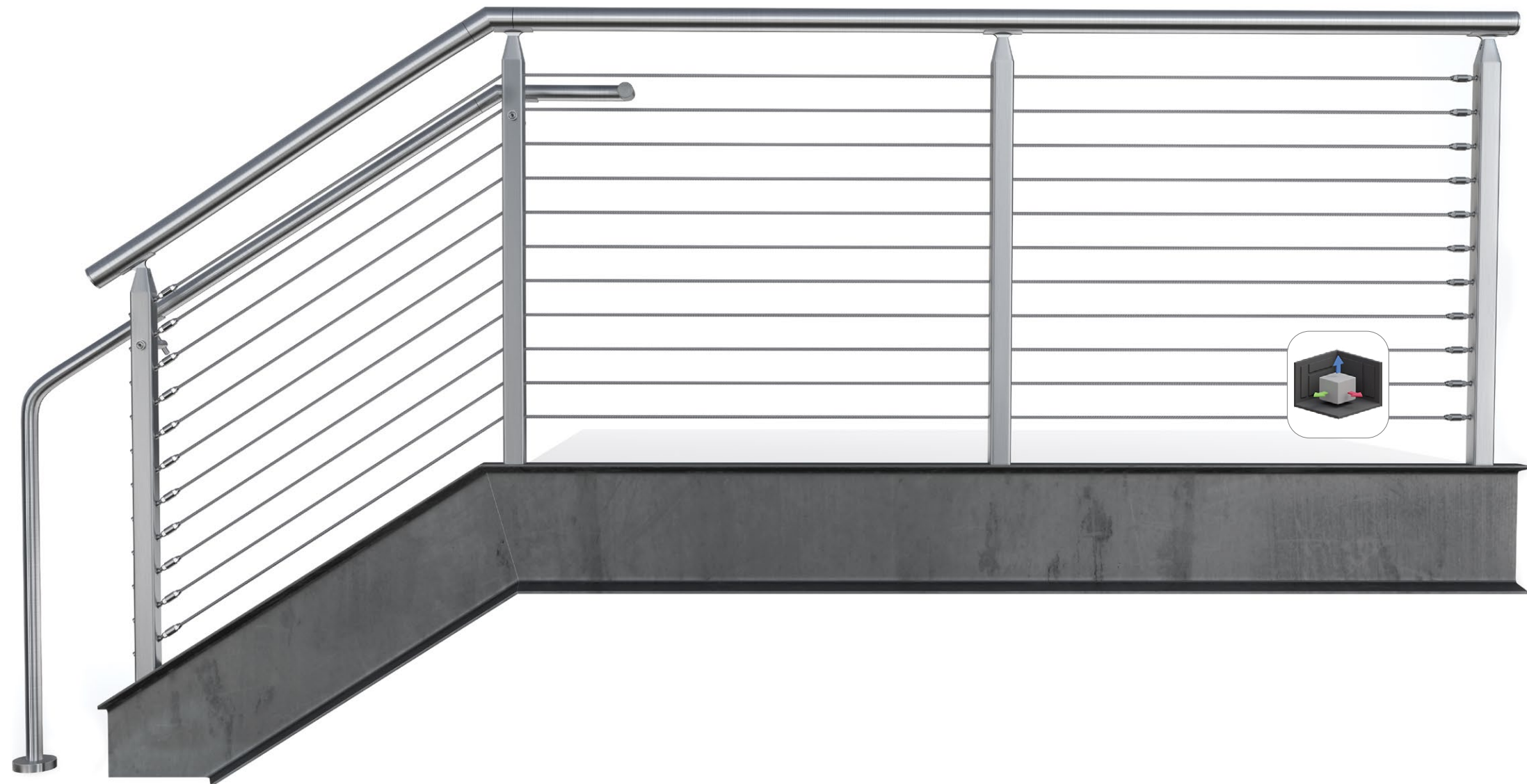
## CUBE - AVAILABLE INFILLS

- Glass
- Perforated Metal
- Wire Mesh
- Picket Panel
- CableNet
- Multiline
- Laser Cut Panel
- Cable



Other mounting options available.

Our CUBE Stainless Steel Railing System has a robust contemporary look. The system is made of 2" x 2" square posts, with monolithic pyramid top caps creating continuous clean lines throughout the components. The railing in-fill between the posts is mounted via fixed point holders and can accommodate any in-fill of your choice.



# CUBE™ GLASS & METAL SYSTEM - TECHNICAL DATA

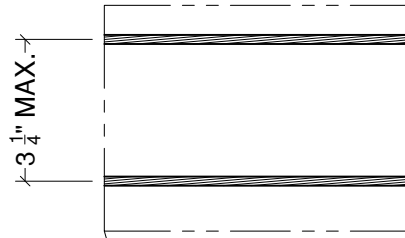
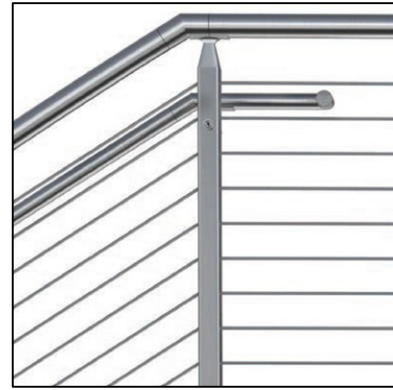
	MATERIAL	FINISH	SIZE/SPACING
<b>POST</b>	Stainless Steel (304 or 316)	#6 Satin, #8 Mirror	2"x2" @ 5'-0" max. O.C. 4'-6" max. for perforated and wire mesh infill. 4'-0" max. for Multiline and cable infill.  Fascia, Top or Core mount.
	Stainless Steel (201)	ECM Powder Coat	
<b>INFILL OPTIONS</b>	Glass	Clear, Tinted or Frit	Min. 3/8" laminated glass with PVB or SGP interlayer <sup>1</sup> Glass standard thickness: 3/8", 1/2", 5/8", 3/4"  Interlayer standard thickness: SGP: 0.035", 0.06" PVB: 0.035"
	Perforated Metal	#6 Satin	1" wide frame
	Wire Mesh		Ø1/2" picket
	Picket Panel		Ø1/2" multiline
	Multiline		Ø3/16" cable
	Cable		Ø1" Wide frame, Ø1/16" (1.5mm) cable mesh
	CableNet		
Laser Cut	Powder Coat - Super Polyester (AAMA 2604) - \$ <sup>4</sup> Powder Coat - PVDF (AAMA 2605) - \$\$	1/4" thick aluminum panel.	
<b>TOP RAIL/HAND RAIL</b>  ECM finish is not available for U-cap, top rail or hand rail.	Stainless Steel Tube	#6 Satin, Powder Coat	Ø1-1/2" or Ø2" for Hand Rail Ø1-1/2", Ø2" or 2"x1" Rectangular tube for Top Rail
	Stainless Steel Tube with LED <sup>2</sup>	#6 Satin	Ø1-1/2" with LED LINEAR, Ø1-1/2" or Ø2" with LED POD
	Wood (Red Oak, Cherry or Maple) <sup>3</sup>	Unstained	Ø2"
	Wood (Red Oak, Cherry or Maple) with LED		Ø2" with LED LINEAR



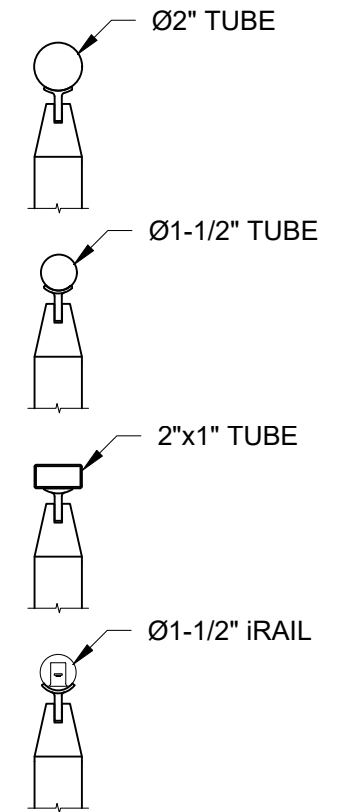
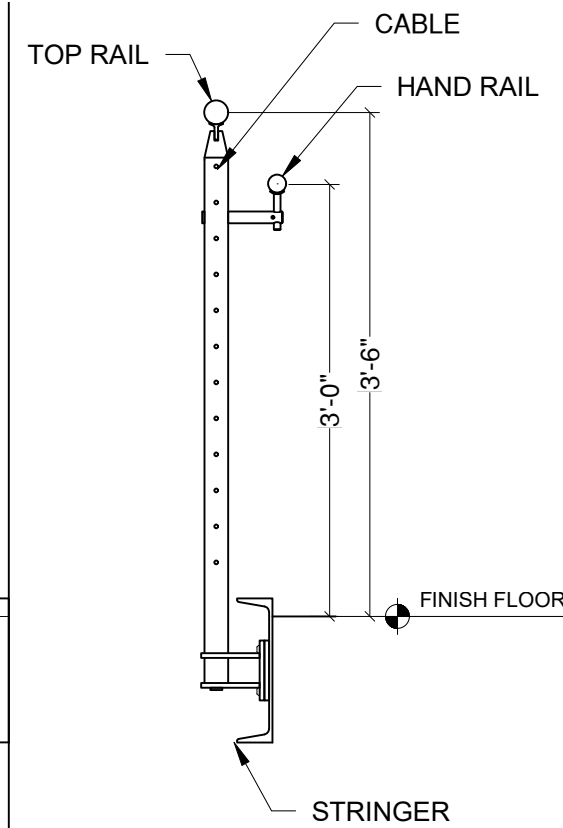
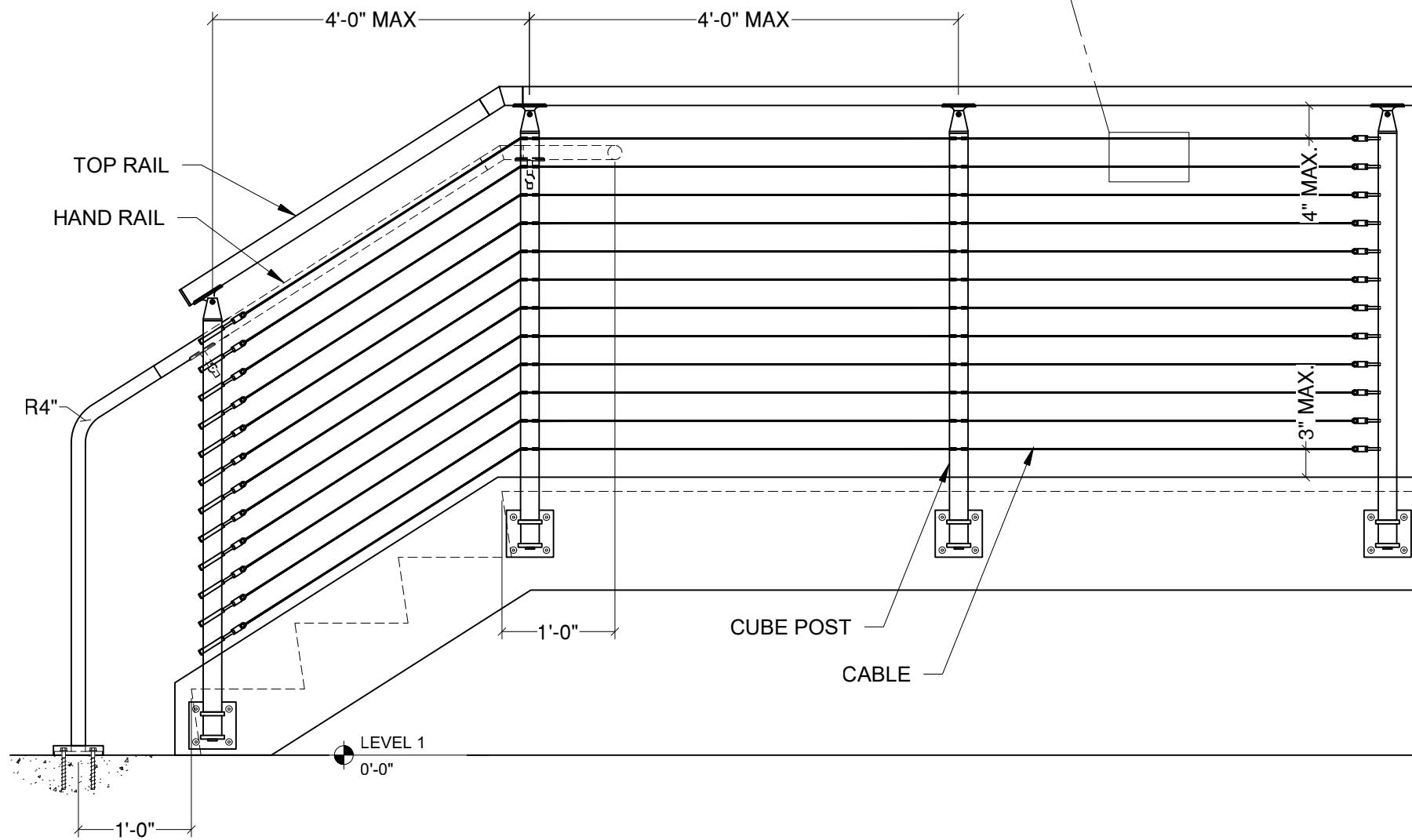
1. IBC 2015 & newer requires railing glass to be laminated. VIVA recommends SGP for exterior applications.
2. All LED LINEAR products are ETL certified; ETL mark is proof of product compliance to North American safety standard.
3. Other species available upon request.
4. \$ to \$\$\$: Indicates finish type comparative cost.



# CUBE RAILING SYSTEM CABLE INFILL



Stainless Steel 316 Cable  
Ø3/16", 1X19 Construction



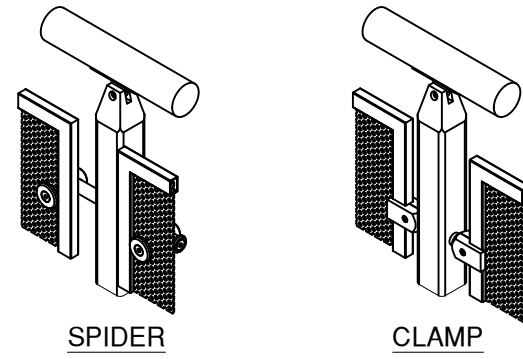
TOP RAIL OPTIONS

VIVA RAILINGS IS NOT RESPONSIBLE FOR THE STRUCTURAL INTEGRITY OF ANY BUILDING SYSTEMS OR OTHER MATERIALS NOT FURNISHED BY VIVA RAILINGS. VIVA RAILINGS HAS NO WAY OF KNOWING AND SPECIFICALLY DISCLAIMS WHETHER OR NOT THE BUILDING SYSTEMS TO WHICH VIVA RAILINGS' PRODUCTS ARE TO BE ATTACHED ARE STRUCTURALLY SOUND OR DESIGNED TO PROPERLY SUPPORT VIVA RAILINGS'S MATERIALS. ANY SUCH DESIGN RESPONSIBILITY BELONGS TO OTHERS FOR WHOM VIVA RAILINGS IS NOT RESPONSIBLE. THESE DRAWINGS ARE INTENDED FOR THE SOLE USE OF VIVA RAILINGS' CUSTOMER AND THEIR AGENTS FOR THE INSTALLATION OF PRODUCTS FURNISHED BY VIVA RAILINGS. VIVA RAILINGS REMAINS THE SOLE OWNER OF ALL DESIGNS AND INTELLECTUAL PROPERTY CONTAINED WITHIN. REPRODUCTION AND USE OF THESE DESIGNS FOR ANY OTHER PURPOSE IS FORBIDDEN. SCALES ARE PROVIDED FOR REFERENCE ONLY. FOR PRODUCT INFORMATION AND TECHNICAL SUPPORT, PLEASE CONTACT VIVA RAILINGS.

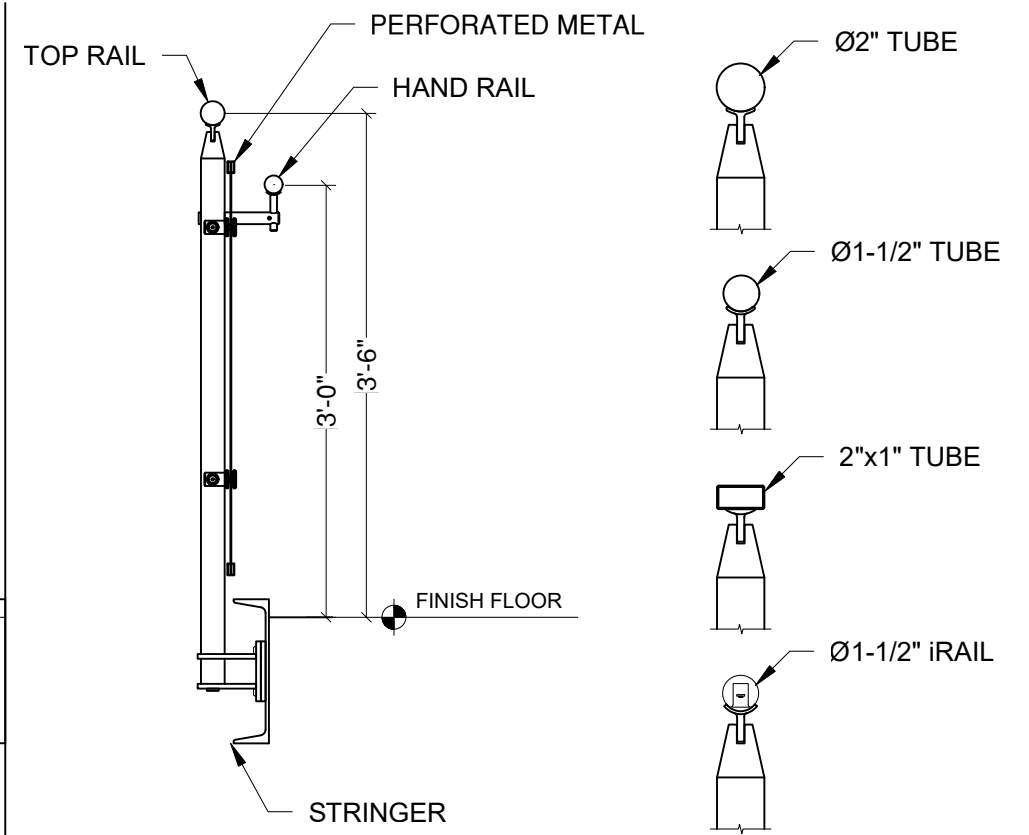
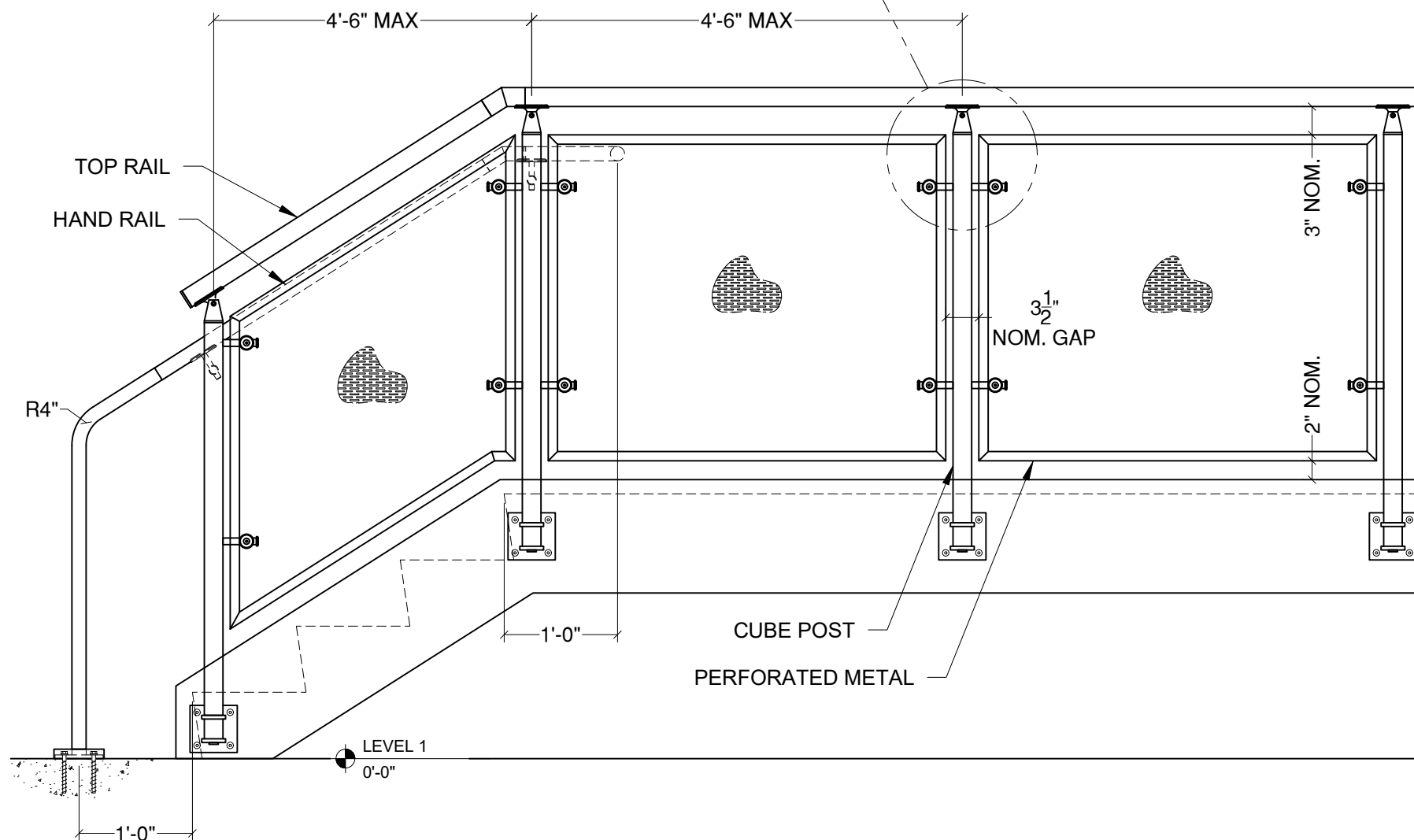
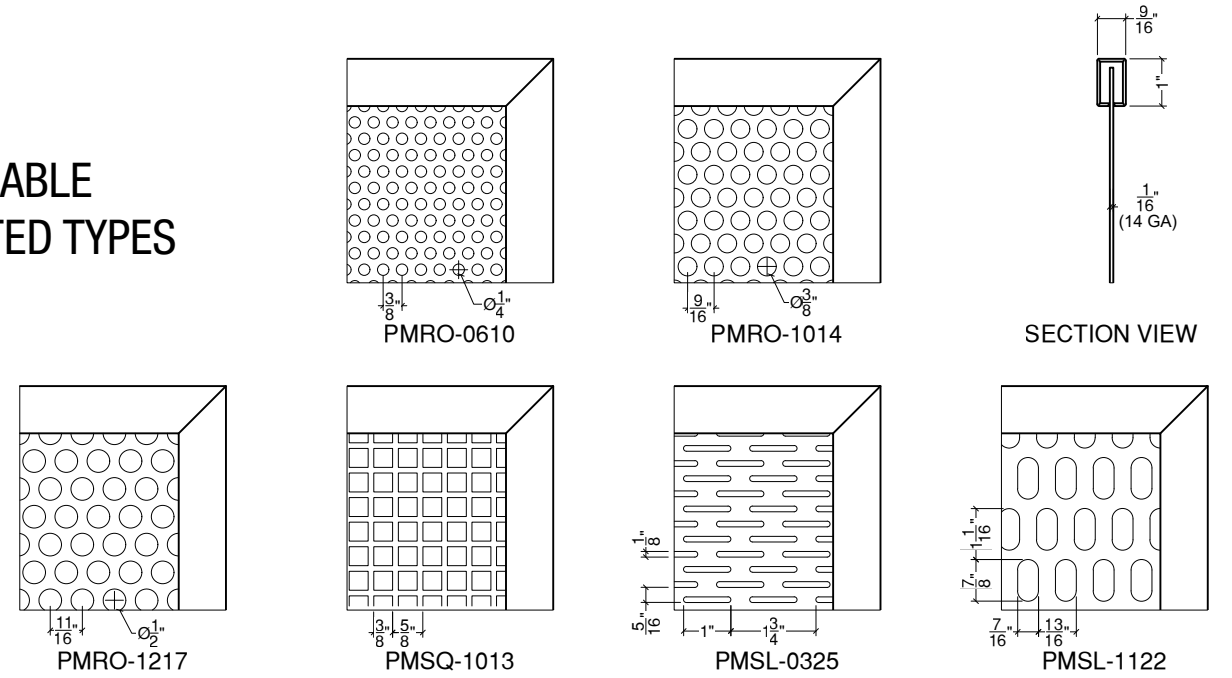


# CUBE RAILING SYSTEM

## PERFORATED METAL INFILL



### AVAILABLE PERFORATED TYPES

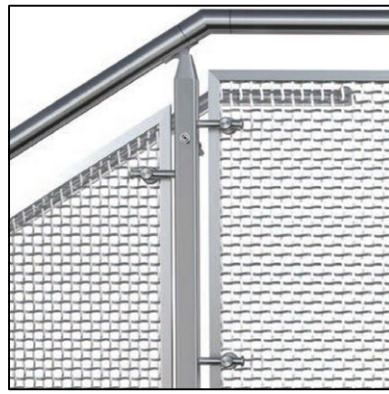


### TOP RAIL OPTIONS

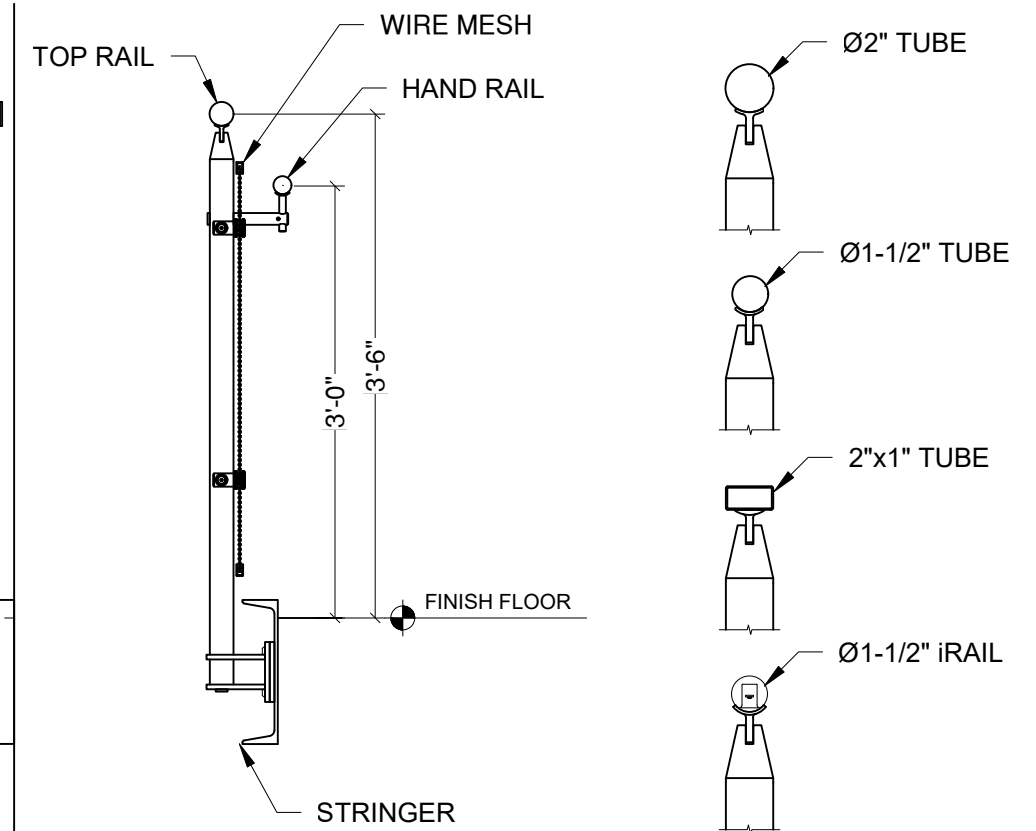
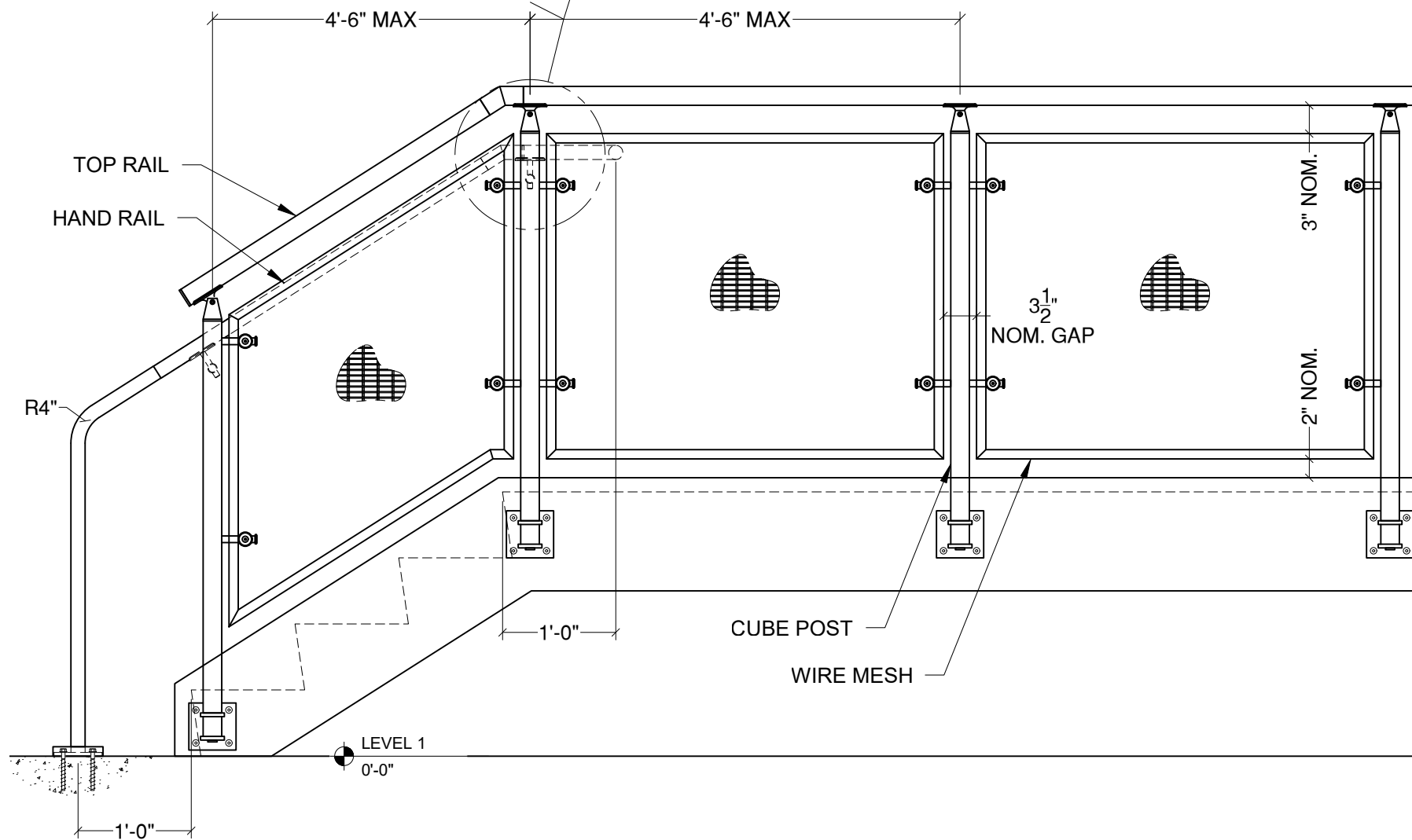
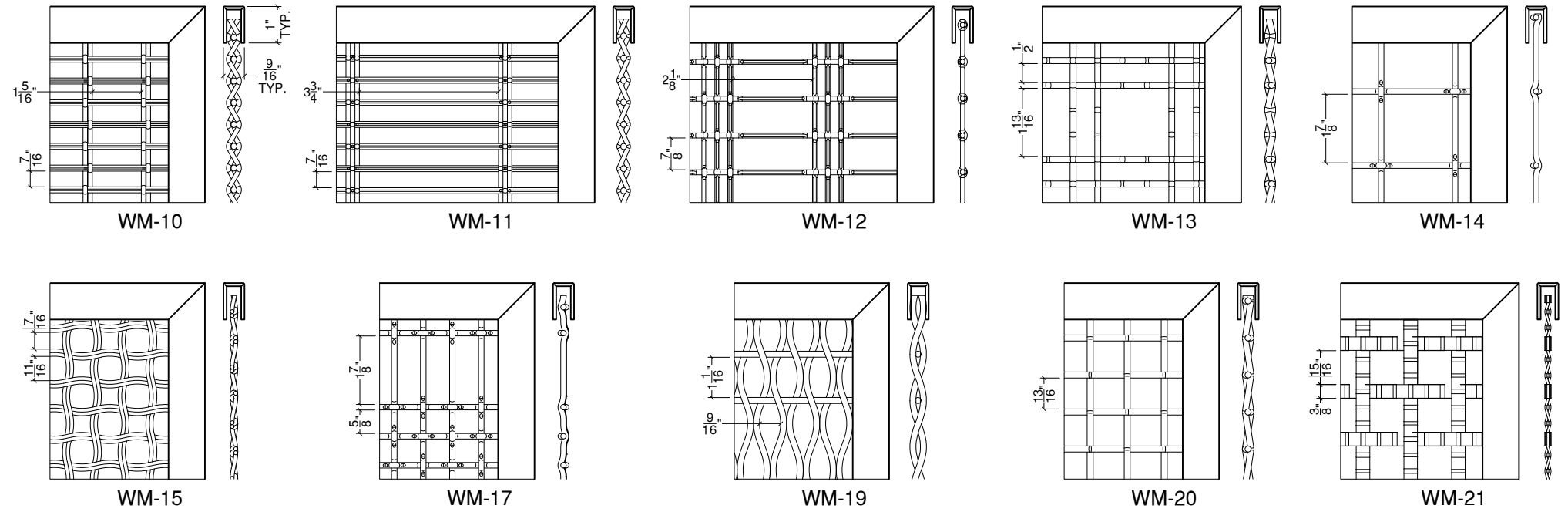
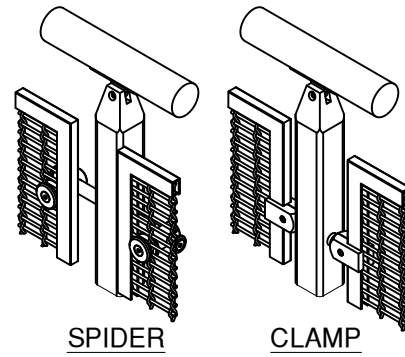
VIVA RAILINGS IS NOT RESPONSIBLE FOR THE STRUCTURAL INTEGRITY OF ANY BUILDING SYSTEMS OR OTHER MATERIALS NOT FURNISHED BY VIVA RAILINGS. VIVA RAILINGS HAS NO WAY OF KNOWING AND SPECIFICALLY DISCLAIMS WHETHER OR NOT THE BUILDING SYSTEMS TO WHICH VIVA RAILINGS' PRODUCTS ARE TO BE ATTACHED ARE STRUCTURALLY SOUND OR DESIGNED TO PROPERLY SUPPORT VIVA RAILINGS'S MATERIALS. ANY SUCH DESIGN RESPONSIBILITY BELONGS TO OTHERS FOR WHOM VIVA RAILINGS IS NOT RESPONSIBLE. THESE DRAWINGS ARE INTENDED FOR THE SOLE USE OF VIVA RAILINGS' CUSTOMER AND THEIR AGENTS FOR THE INSTALLATION OF PRODUCTS FURNISHED BY VIVA RAILINGS. VIVA RAILINGS REMAINS THE SOLE OWNER OF ALL DESIGNS AND INTELLECTUAL PROPERTY CONTAINED WITHIN. REPRODUCTION AND USE OF THESE DESIGNS FOR ANY OTHER PURPOSE IS FORBIDDEN. SCALES ARE PROVIDED FOR REFERENCE ONLY. FOR PRODUCT INFORMATION AND TECHNICAL SUPPORT, PLEASE CONTACT VIVA RAILINGS.



# CUBE RAILING SYSTEM WIRE MESH INFILL



## AVAILABLE WIRE MESH TYPES

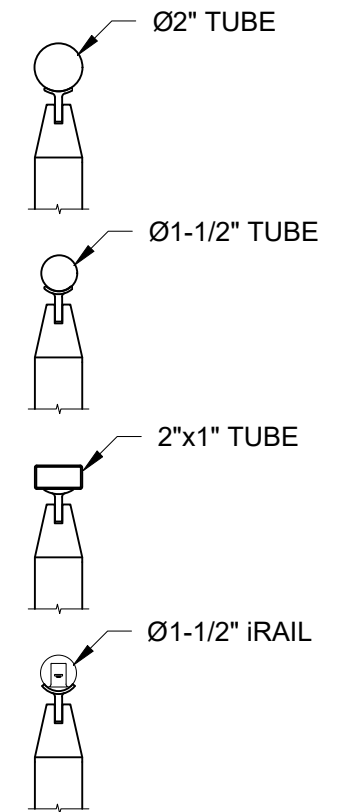
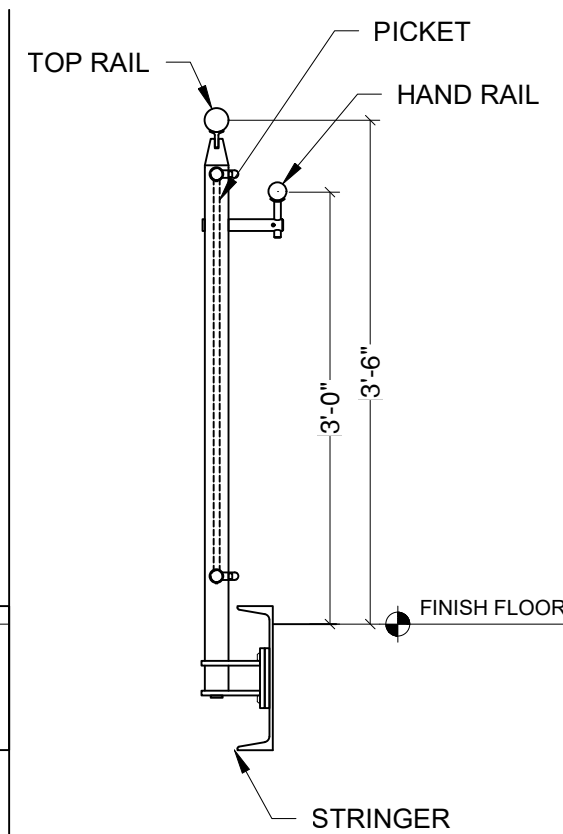
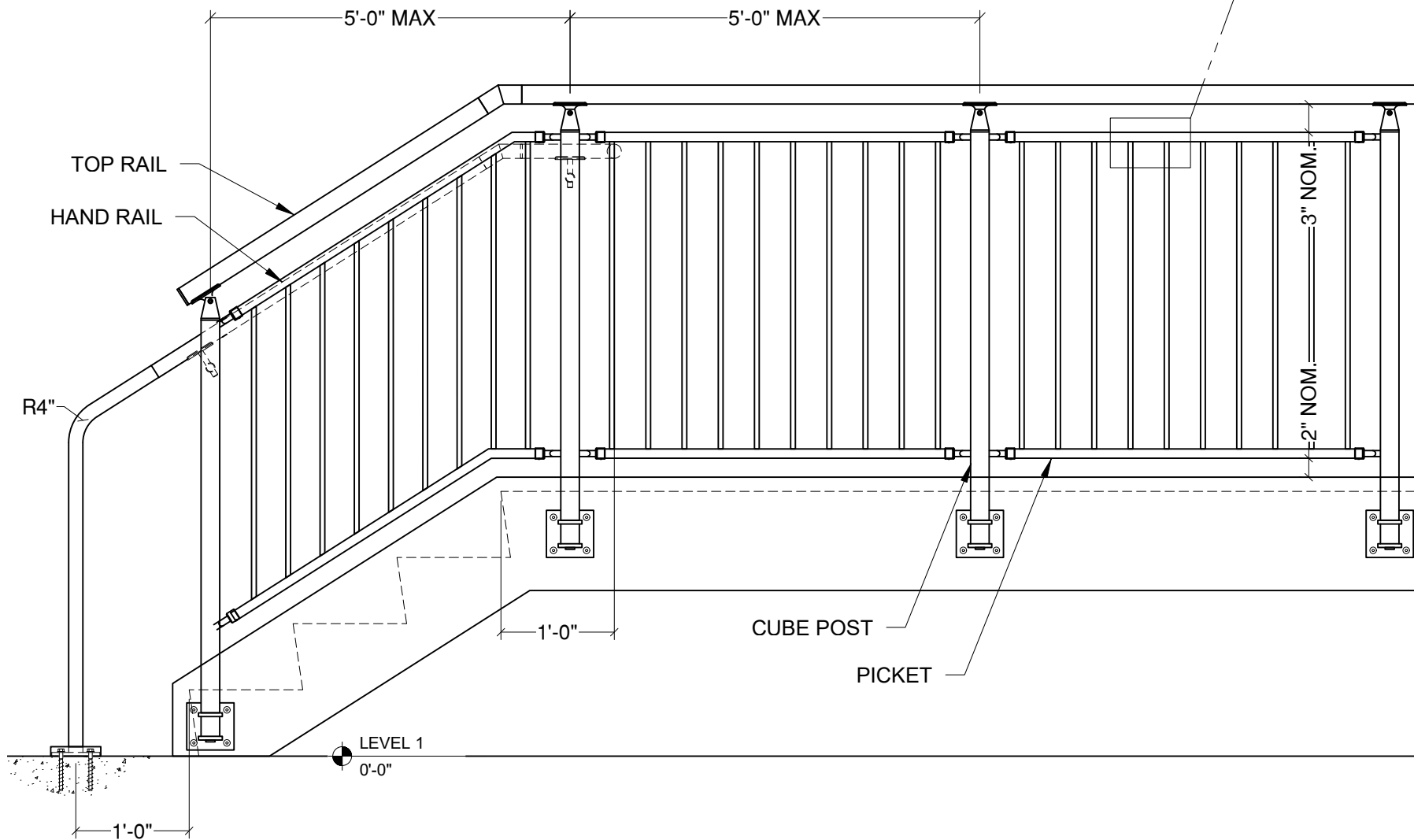
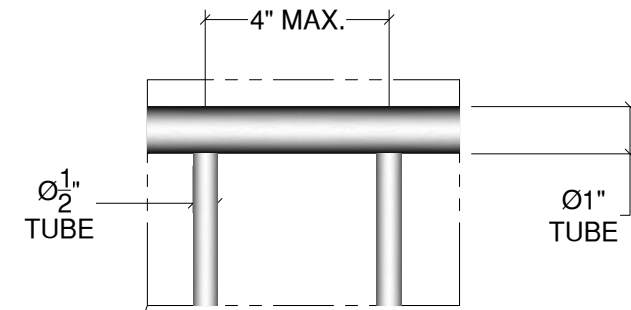


## TOP RAIL OPTIONS

VIVA RAILINGS IS NOT RESPONSIBLE FOR THE STRUCTURAL INTEGRITY OF ANY BUILDING SYSTEMS OR OTHER MATERIALS NOT FURNISHED BY VIVA RAILINGS. VIVA RAILINGS HAS NO WAY OF KNOWING AND SPECIFICALLY DISCLAIMS WHETHER OR NOT THE BUILDING SYSTEMS TO WHICH VIVA RAILINGS' PRODUCTS ARE TO BE ATTACHED ARE STRUCTURALLY SOUND OR DESIGNED TO PROPERLY SUPPORT VIVA RAILINGS' MATERIALS. ANY SUCH DESIGN RESPONSIBILITY BELONGS TO OTHERS FOR WHOM VIVA RAILINGS IS NOT RESPONSIBLE. THESE DRAWINGS ARE INTENDED FOR THE SOLE USE OF VIVA RAILINGS' CUSTOMER AND THEIR AGENTS FOR THE INSTALLATION OF PRODUCTS FURNISHED BY VIVA RAILINGS. VIVA RAILINGS REMAINS THE SOLE OWNER OF ALL DESIGNS AND INTELLECTUAL PROPERTY CONTAINED WITHIN. REPRODUCTION AND USE OF THESE DESIGNS FOR ANY OTHER PURPOSE IS FORBIDDEN. SCALES ARE PROVIDED FOR REFERENCE ONLY. FOR PRODUCT INFORMATION AND TECHNICAL SUPPORT, PLEASE CONTACT VIVA RAILINGS.



# CUBE RAILING SYSTEM PICKET PANEL INFILL

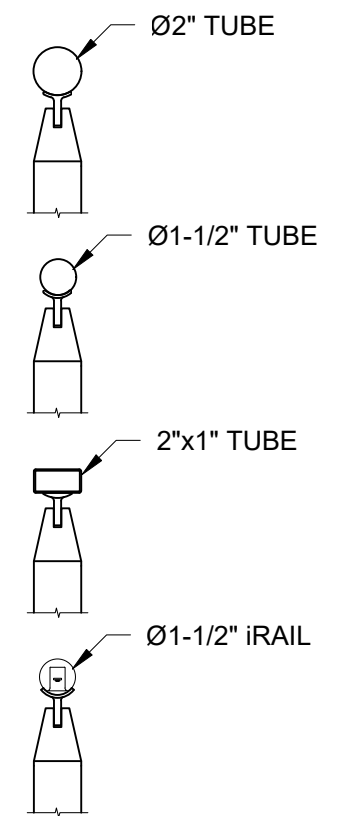
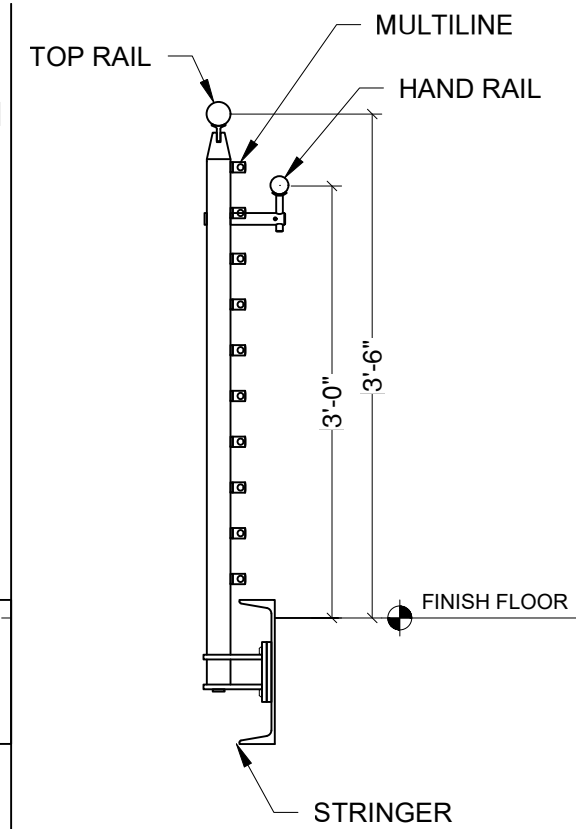
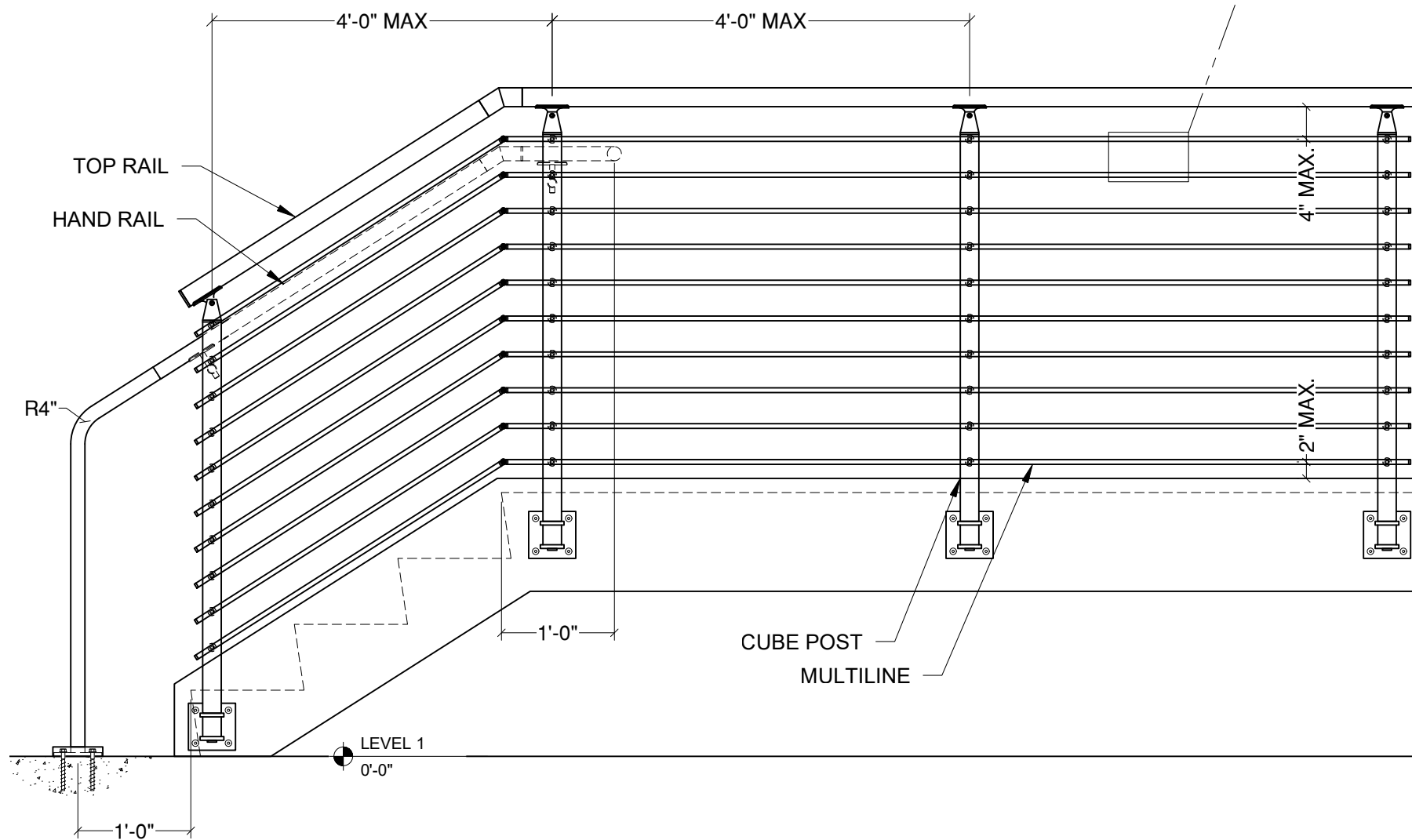


TOP RAIL OPTIONS

VIVA RAILINGS IS NOT RESPONSIBLE FOR THE STRUCTURAL INTEGRITY OF ANY BUILDING SYSTEMS OR OTHER MATERIALS NOT FURNISHED BY VIVA RAILINGS. VIVA RAILINGS HAS NO WAY OF KNOWING AND SPECIFICALLY DISCLAIMS WHETHER OR NOT THE BUILDING SYSTEMS TO WHICH VIVA RAILINGS' PRODUCTS ARE TO BE ATTACHED ARE STRUCTURALLY SOUND OR DESIGNED TO PROPERLY SUPPORT VIVA RAILINGS'S MATERIALS. ANY SUCH DESIGN RESPONSIBILITY BELONGS TO OTHERS FOR WHOM VIVA RAILINGS IS NOT RESPONSIBLE. THESE DRAWINGS ARE INTENDED FOR THE SOLE USE OF VIVA RAILINGS' CUSTOMER AND THEIR AGENTS FOR THE INSTALLATION OF PRODUCTS FURNISHED BY VIVA RAILINGS. VIVA RAILINGS REMAINS THE SOLE OWNER OF ALL DESIGNS AND INTELLECTUAL PROPERTY CONTAINED WITHIN. REPRODUCTION AND USE OF THESE DESIGNS FOR ANY OTHER PURPOSE IS FORBIDDEN. SCALES ARE PROVIDED FOR REFERENCE ONLY. FOR PRODUCT INFORMATION AND TECHNICAL SUPPORT, PLEASE CONTACT VIVA RAILINGS.



# CUBE RAILING SYSTEM MULTILINE INFILL



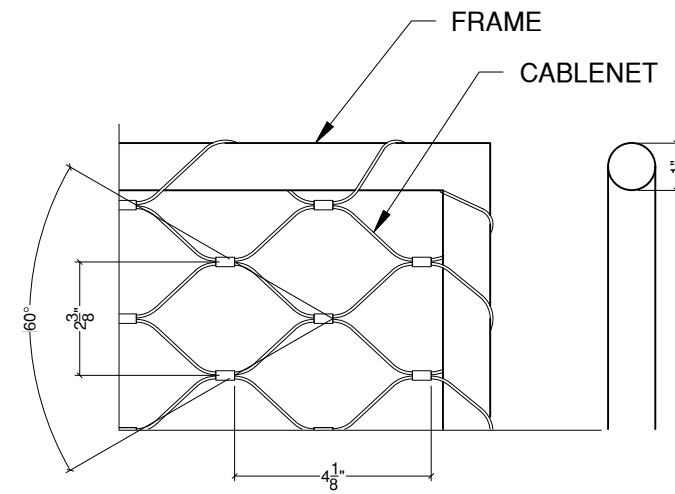
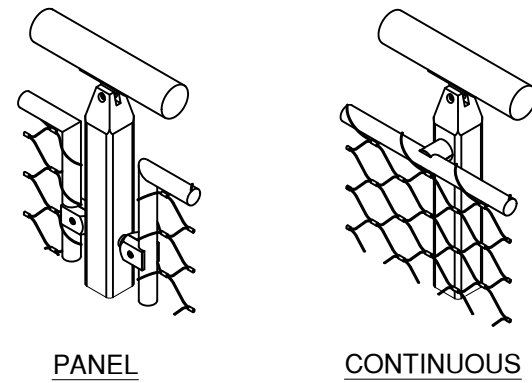
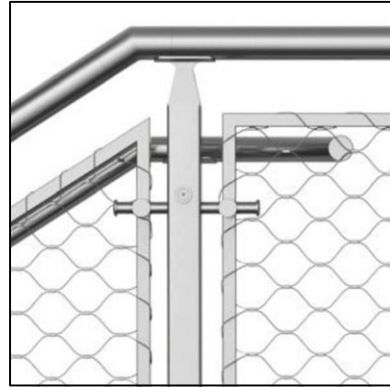
TOP RAIL OPTIONS

VIVA RAILINGS IS NOT RESPONSIBLE FOR THE STRUCTURAL INTEGRITY OF ANY BUILDING SYSTEMS OR OTHER MATERIALS NOT FURNISHED BY VIVA RAILINGS. VIVA RAILINGS HAS NO WAY OF KNOWING AND SPECIFICALLY DISCLAIMS WHETHER OR NOT THE BUILDING SYSTEMS TO WHICH VIVA RAILINGS' PRODUCTS ARE TO BE ATTACHED ARE STRUCTURALLY SOUND OR DESIGNED TO PROPERLY SUPPORT VIVA RAILINGS'S MATERIALS. ANY SUCH DESIGN RESPONSIBILITY BELONGS TO OTHERS FOR WHOM VIVA RAILINGS IS NOT RESPONSIBLE. THESE DRAWINGS ARE INTENDED FOR THE SOLE USE OF VIVA RAILINGS' CUSTOMER AND THEIR AGENTS FOR THE INSTALLATION OF PRODUCTS FURNISHED BY VIVA RAILINGS. VIVA RAILINGS REMAINS THE SOLE OWNER OF ALL DESIGNS AND INTELLECTUAL PROPERTY CONTAINED WITHIN. REPRODUCTION AND USE OF THESE DESIGNS FOR ANY OTHER PURPOSE IS FORBIDDEN. SCALES ARE PROVIDED FOR REFERENCE ONLY. FOR PRODUCT INFORMATION AND TECHNICAL SUPPORT, PLEASE CONTACT VIVA RAILINGS.

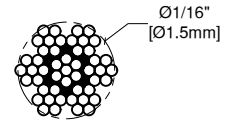




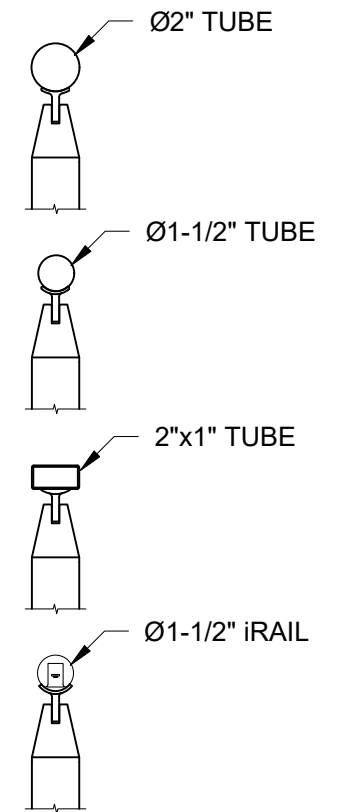
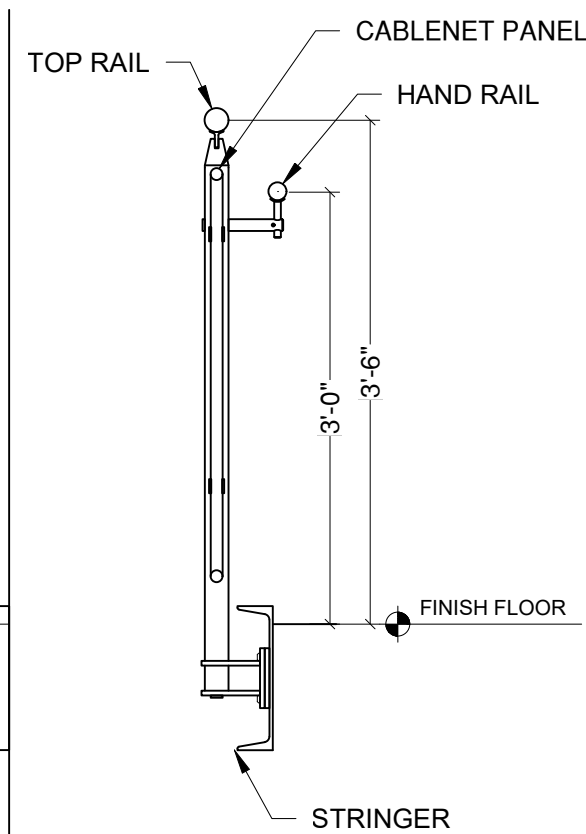
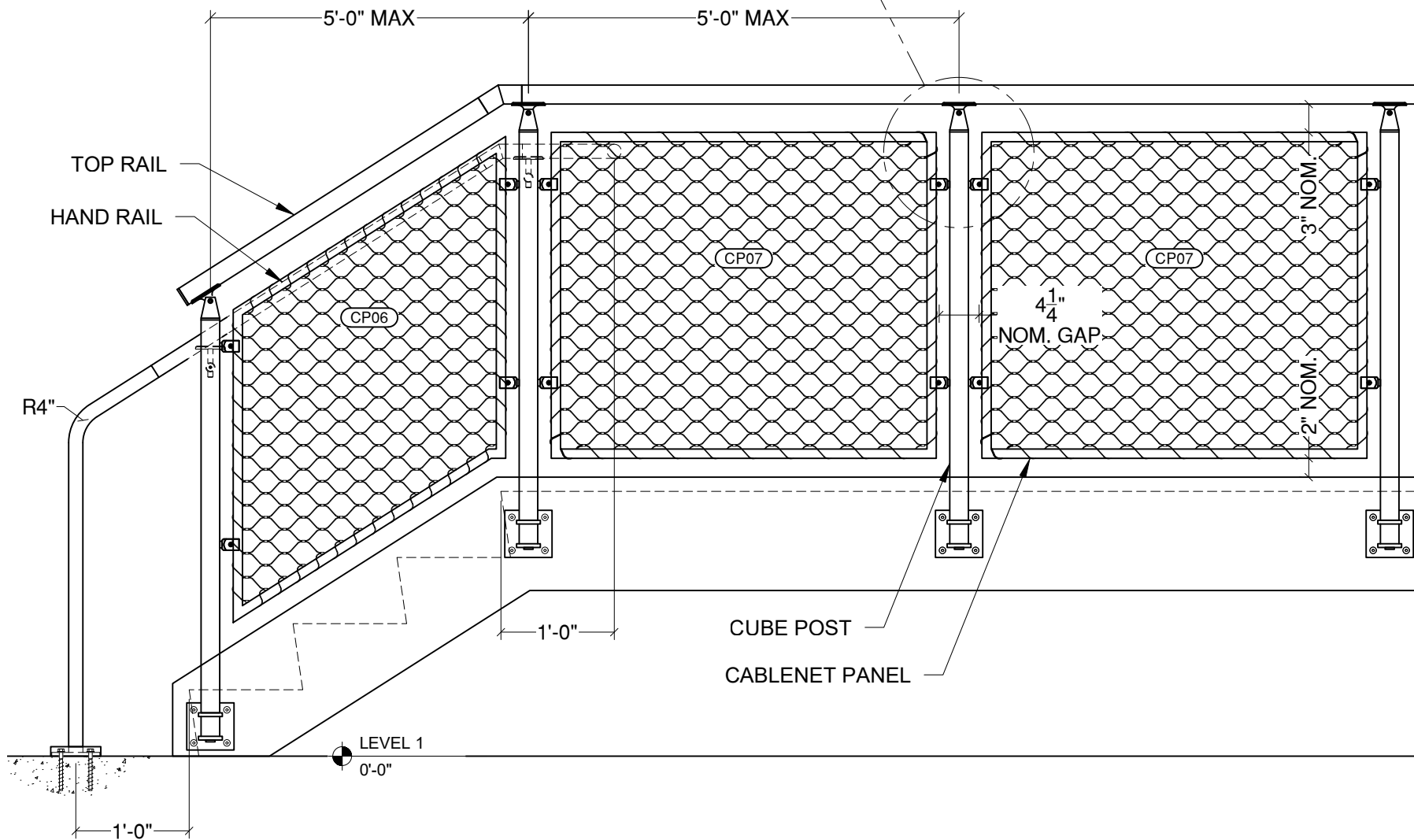
# CUBE RAILING SYSTEM CABLENET INFILL



DIMENSIONS ARE  
NOMINAL



7x7 CONSTRUCTION  
CABLE



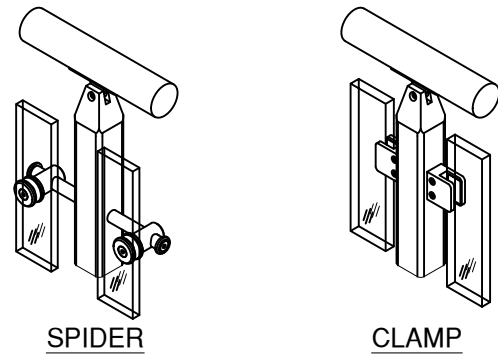
TOP RAIL OPTIONS

VIVA RAILINGS IS NOT RESPONSIBLE FOR THE STRUCTURAL INTEGRITY OF ANY BUILDING SYSTEMS OR OTHER MATERIALS NOT FURNISHED BY VIVA RAILINGS. VIVA RAILINGS HAS NO WAY OF KNOWING AND SPECIFICALLY DISCLAIMS WHETHER OR NOT THE BUILDING SYSTEMS TO WHICH VIVA RAILINGS' PRODUCTS ARE TO BE ATTACHED ARE STRUCTURALLY SOUND OR DESIGNED TO PROPERLY SUPPORT VIVA RAILINGS'S MATERIALS. ANY SUCH DESIGN RESPONSIBILITY BELONGS TO OTHERS FOR WHOM VIVA RAILINGS IS NOT RESPONSIBLE. THESE DRAWINGS ARE INTENDED FOR THE SOLE USE OF VIVA RAILINGS' CUSTOMER AND THEIR AGENTS FOR THE INSTALLATION OF PRODUCTS FURNISHED BY VIVA RAILINGS. VIVA RAILINGS REMAINS THE SOLE OWNER OF ALL DESIGNS AND INTELLECTUAL PROPERTY CONTAINED WITHIN. REPRODUCTION AND USE OF THESE DESIGNS FOR ANY OTHER PURPOSE IS FORBIDDEN. SCALES ARE PROVIDED FOR REFERENCE ONLY. FOR PRODUCT INFORMATION AND TECHNICAL SUPPORT, PLEASE CONTACT VIVA RAILINGS.

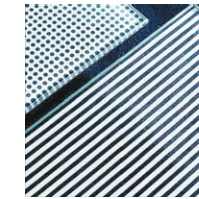


# CUBE RAILING SYSTEM GLASS INFILL

## AVAILABLE GLASS TYPES



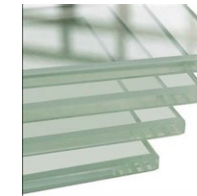
Clear Laminated  
(PVB or SGP)



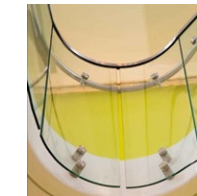
Ceramic Frit



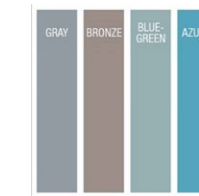
Colored Laminate  
(PVB only)



Clear  
Monolithic



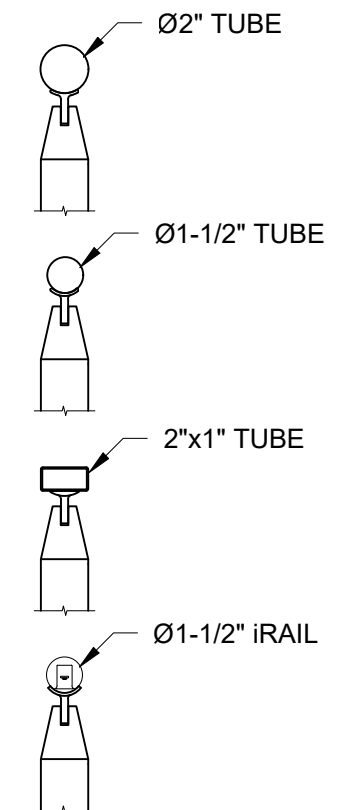
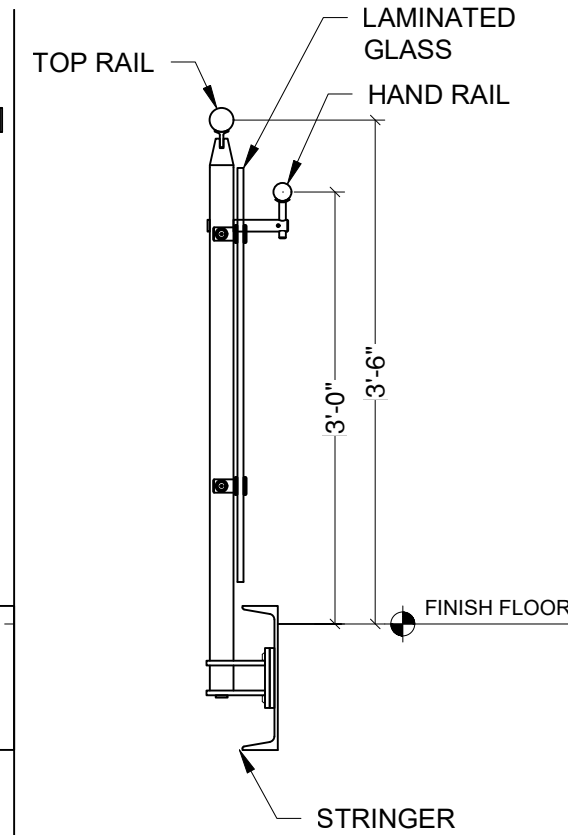
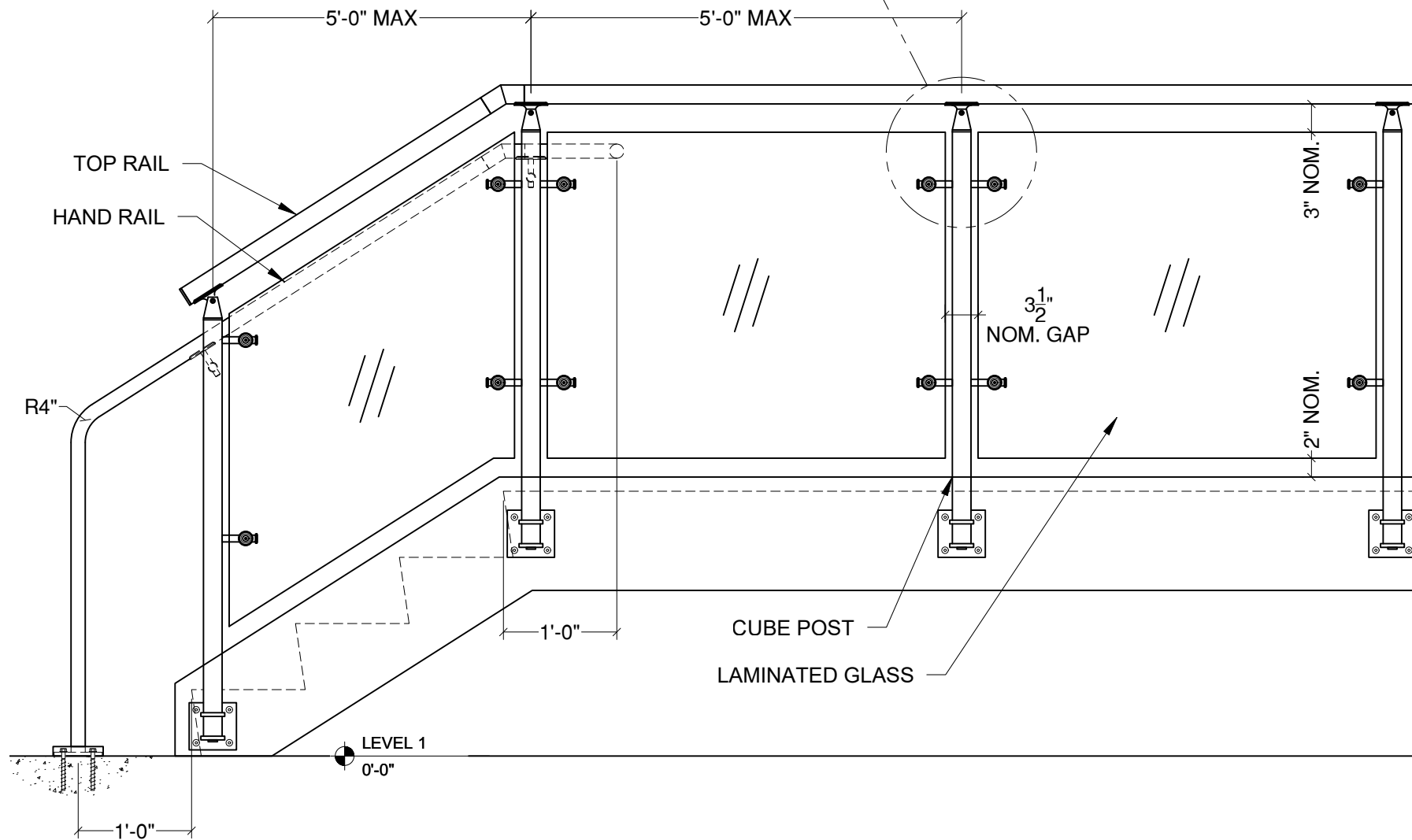
Bent



Tinted



Satin  
Etched

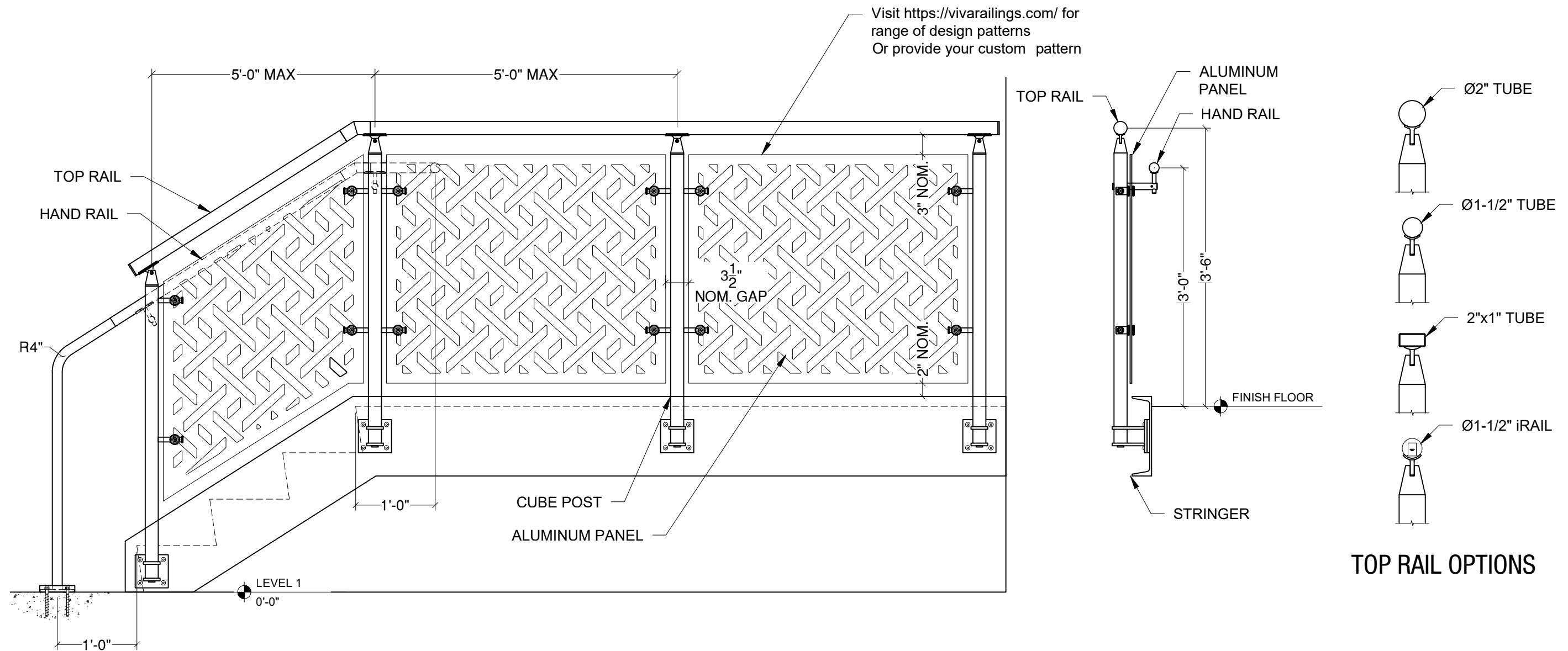


## TOP RAIL OPTIONS

VIVA RAILINGS IS NOT RESPONSIBLE FOR THE STRUCTURAL INTEGRITY OF ANY BUILDING SYSTEMS OR OTHER MATERIALS NOT FURNISHED BY VIVA RAILINGS. VIVA RAILINGS HAS NO WAY OF KNOWING AND SPECIFICALLY DISCLAIMS WHETHER OR NOT THE BUILDING SYSTEMS TO WHICH VIVA RAILINGS' PRODUCTS ARE TO BE ATTACHED ARE STRUCTURALLY SOUND OR DESIGNED TO PROPERLY SUPPORT VIVA RAILINGS'S MATERIALS. ANY SUCH DESIGN RESPONSIBILITY BELONGS TO OTHERS FOR WHOM VIVA RAILINGS IS NOT RESPONSIBLE. THESE DRAWINGS ARE INTENDED FOR THE SOLE USE OF VIVA RAILINGS' CUSTOMER AND THEIR AGENTS FOR THE INSTALLATION OF PRODUCTS FURNISHED BY VIVA RAILINGS. VIVA RAILINGS REMAINS THE SOLE OWNER OF ALL DESIGNS AND INTELLECTUAL PROPERTY CONTAINED WITHIN. REPRODUCTION AND USE OF THESE DESIGNS FOR ANY OTHER PURPOSE IS FORBIDDEN. SCALES ARE PROVIDED FOR REFERENCE ONLY. FOR PRODUCT INFORMATION AND TECHNICAL SUPPORT, PLEASE CONTACT VIVA RAILINGS.

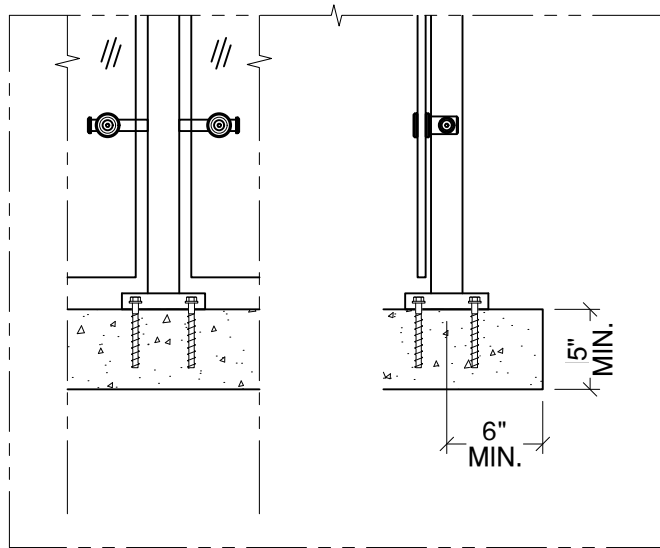


# CUBE RAILING SYSTEM LASER CUT INFILL



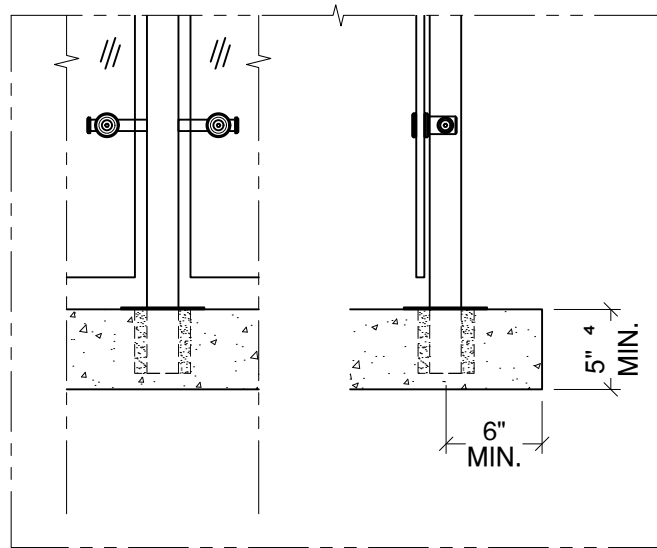
# CUBE RAILING SYSTEM

## MOUNTING CONDITION, TOP MOUNTED POST



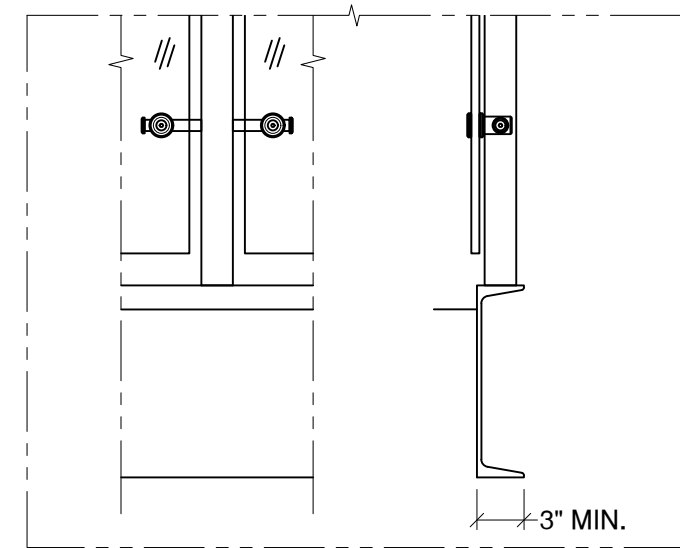
Anchored to Concrete <sup>1</sup> - \$ <sup>2</sup>

Detail# CU-T01 <sup>3</sup>



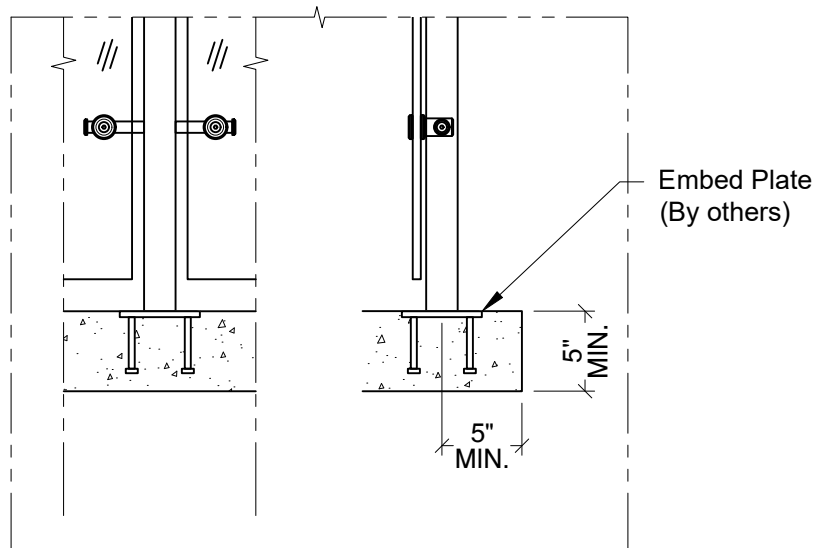
Cored into Concrete - \$\$

Detail# CU-T02



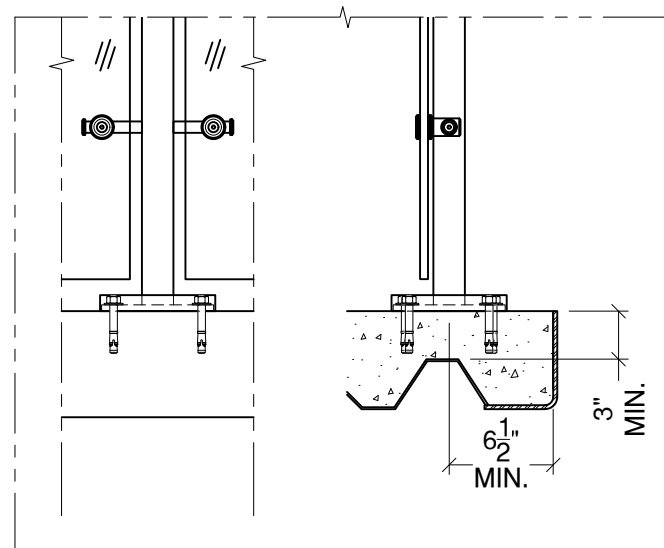
Welded @ Steel Channel - \$

Detail# CU-T03



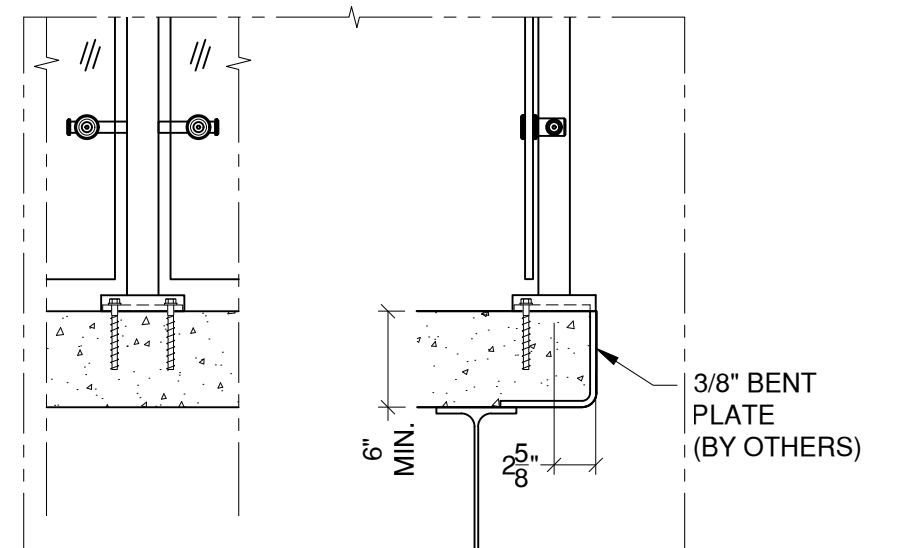
Welded @ Embed Plate - \$

Detail# CU-T04



Anchored to Concrete Slab on Deck - \$\$

Detail# CU-T05



Anchored to Concrete  
Welded to Steel Plate - \$

Detail# CU-T06

(1) Min. 4000 PSI concrete, Typ.

(2) \$ to \$\$\$: Indicates mounting type comparative cost

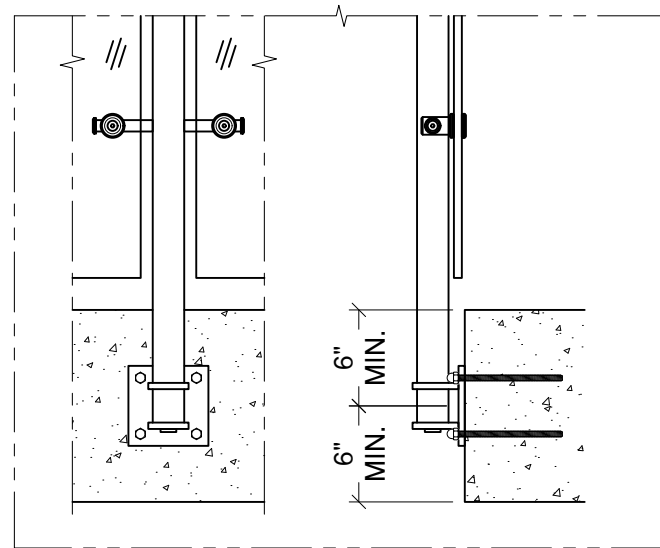
(3) Anchoring is not an available option for top mount with cable infill

(4) 6 1/2" Min. for end post with cable infill



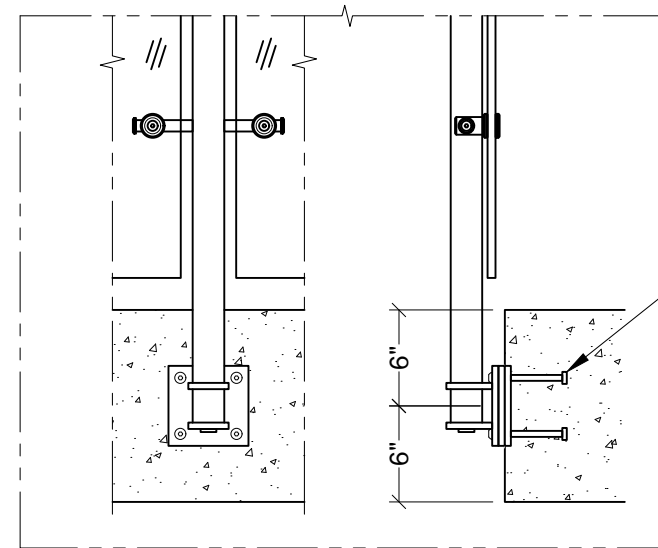
# CUBE RAILING SYSTEM

## MOUNTING CONDITION, FASCIA MOUNTED POST



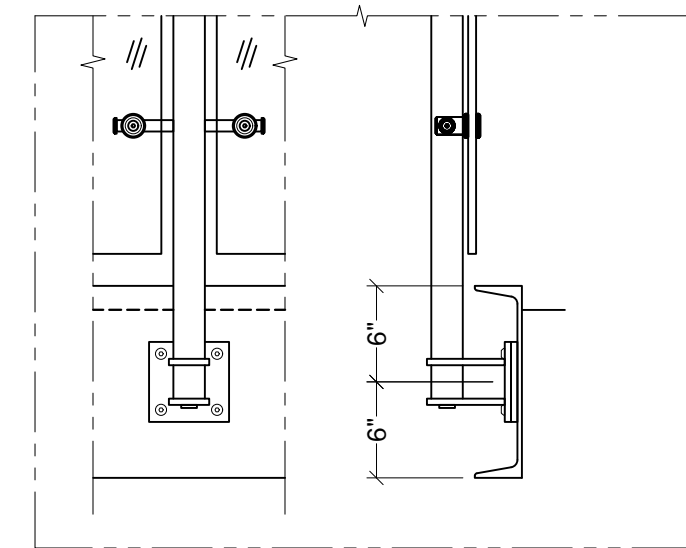
Anchored to Concrete <sup>1</sup> - \$\$\$

Detail# CU-F01 <sup>2</sup>



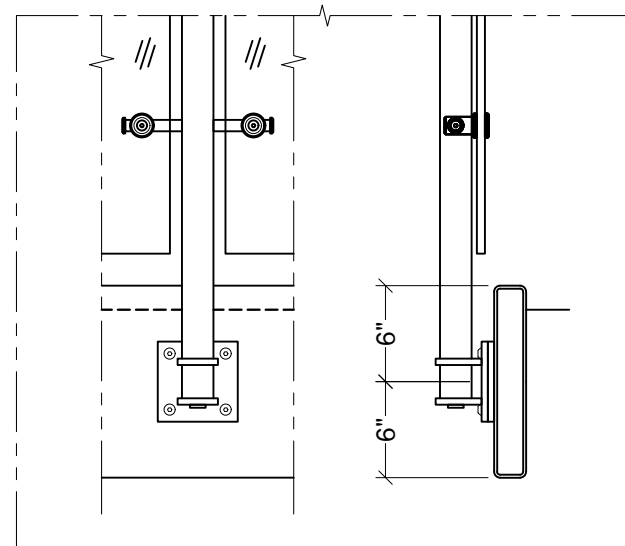
Welded @ Embed Plate - \$\$

Detail# CU-F02



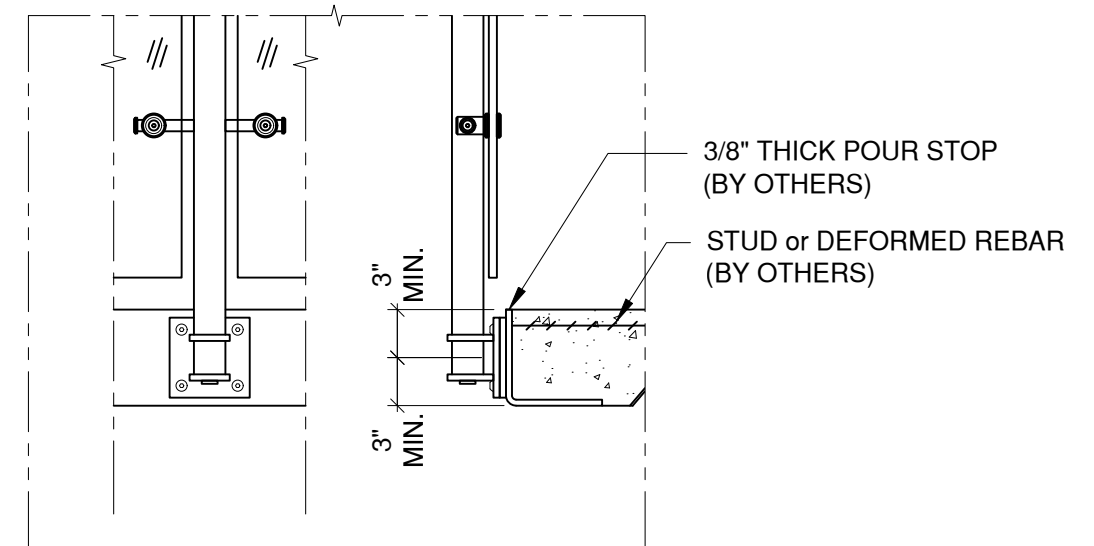
Welded @ Steel Channel - \$\$

Detail# CU-F03



Welded @ Steel Tube - \$\$

Detail# CU-F04



Welded @ Pour Stop - \$\$

Detail# CU-F05

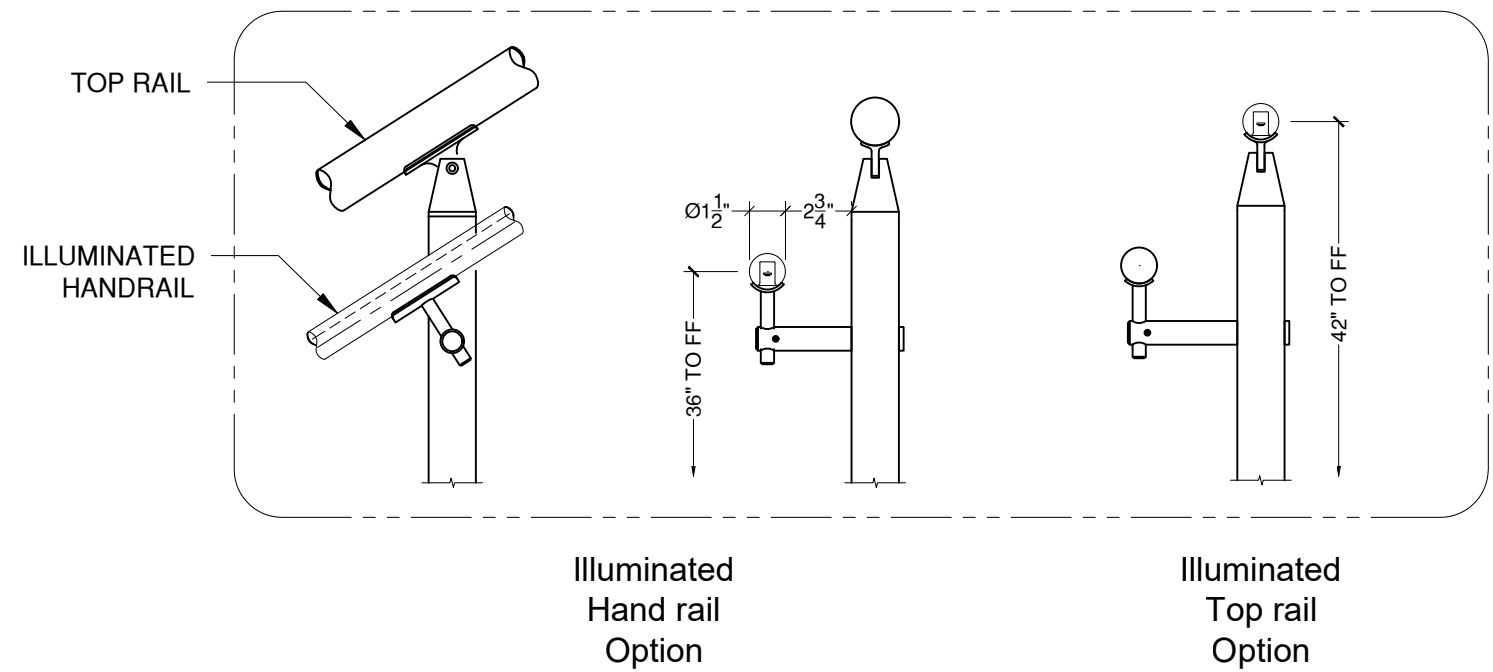
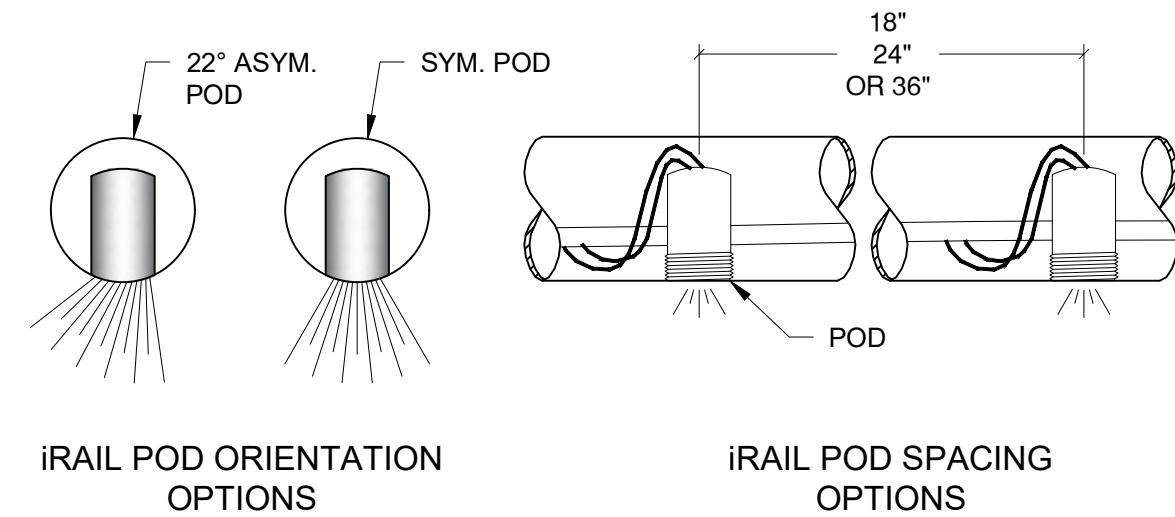
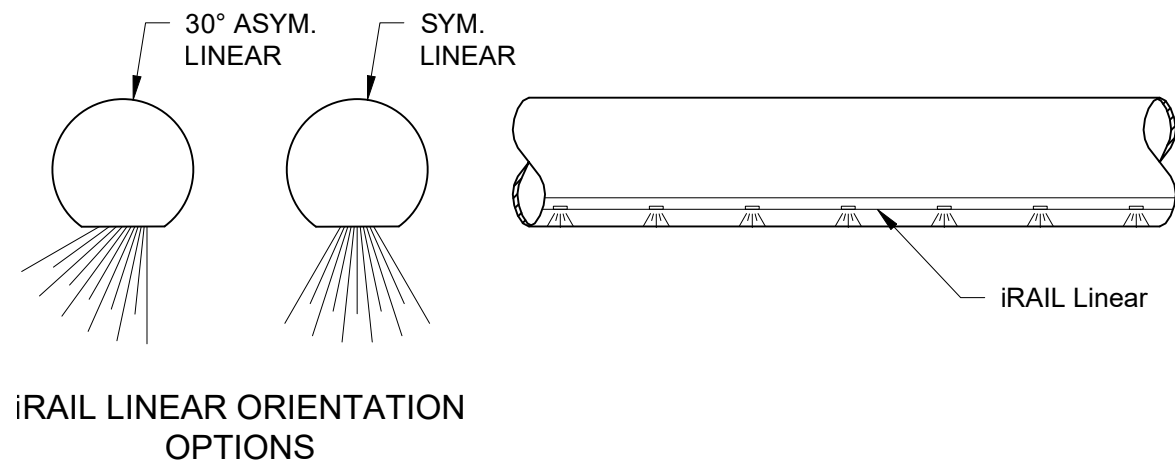
(1) Min. 4000 PSI concrete, Typ.

(2) Anchoring is not a recommended option for cable infill



# CUBE RAILING SYSTEM

## ILLUMINATED RAILING



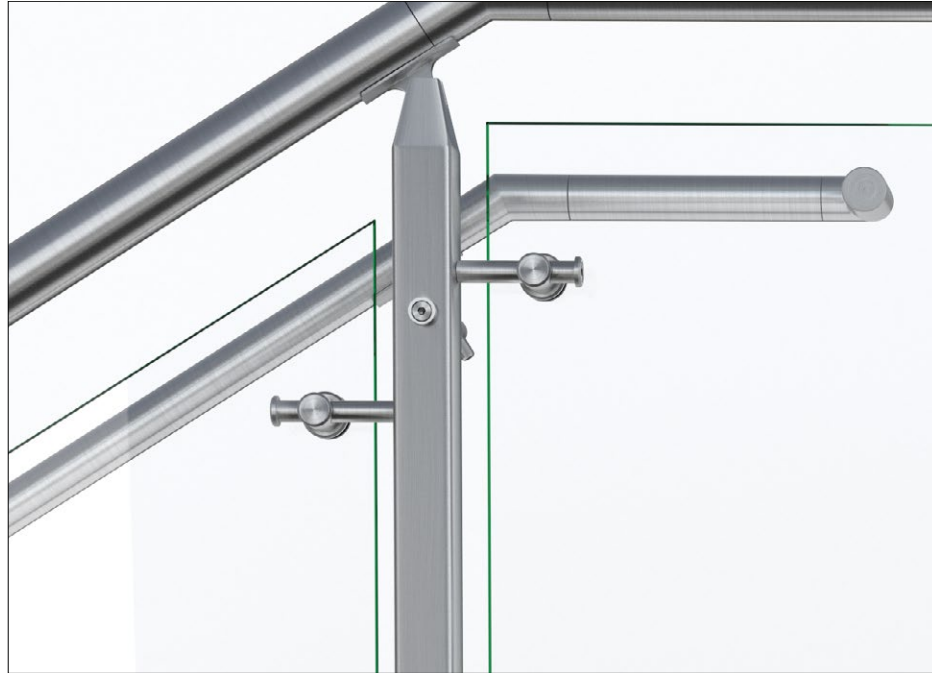
iRAIL LIGHTED RAILING SYSTEM



# CUBE CABLE RAILING SYSTEM

## FINISHING OPTIONS

### #6 SATIN - #8 MIRROR



#8 Mirror Finish comes at an additional cost to our #6 Finish.

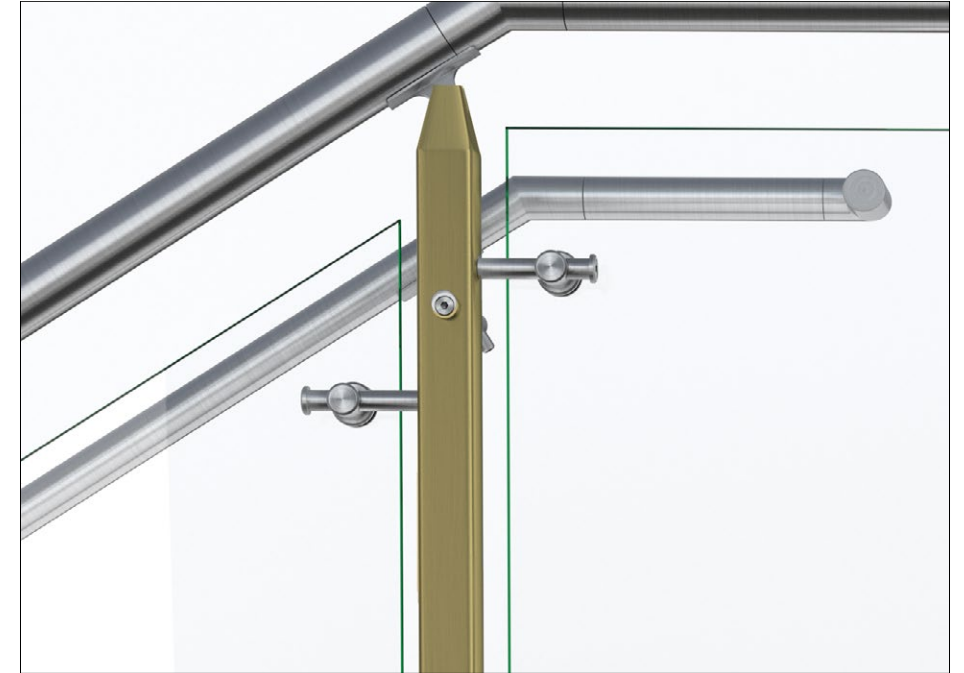
**ECM finish is not available for U-cap, top rail or hand rail.**

### ECM



Available in Satin Black, Brass, Gold & Copper.

### POWDER COAT



Available in Standard and Premium Colors

# CUBE CABLE RAILING SYSTEM PGA OF AMERICA HEADQUARTERS

PGA OF AMERICA HEADQUARTERS - FRISCO, TX  
General Contractor: Adolfsen & Peterson Construction  
Architect: Page Southerland Page





# CUBE CABLE RAILING SYSTEM PROJECT ELLIOTT

PROJECT ELLIOTT - LEWISVILLE, TX  
General Contractor: Haskell



# CUBE CABLE RAILING SYSTEM TD AMERITRADE - DFW CAMPUS

WALNUT GROVE HIGH SCHOOL (PROSPER HS #3) - PROSPER, TX  
General Contractor: Pogue Construction  
Architect: Huckabee Architects



# CUBE CABLE RAILING SYSTEM BB&T LEADERSHIP CONFERENCE CENTER



BB&T LEADERSHIP CONFERENCE CENTER - GREENSBORO, NC  
General Contractor: F.L. Blum Construction  
Architect: CJMW Architecture – NC



## NORTH AMERICA OPERATIONS



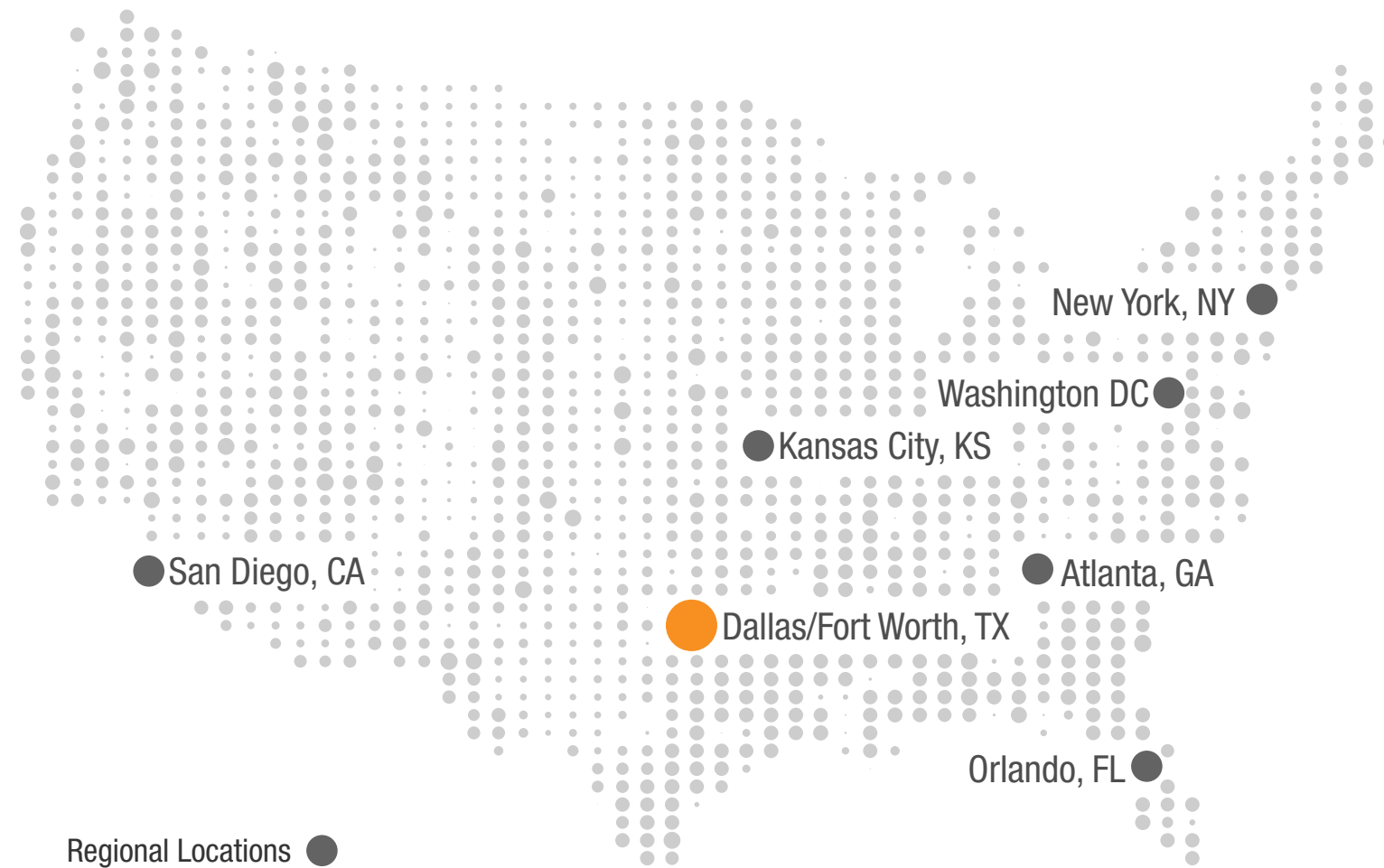
**DESIGN + ENGINEER + FABRICATE + INSTALL**

**151 W. Vista Ridge Mall Dr. Lewisville, TX 75067**

(Dallas/Fort Worth Metroplex)

PH: 972.353.8482 | [info@vivarailings.com](mailto:info@vivarailings.com)

[vivarailings.com](http://vivarailings.com)



Regional Locations ●



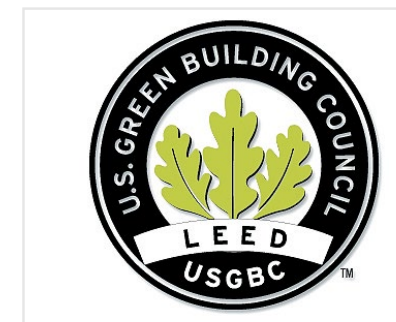
Inc. Magazine 500 | 5000  
VIVA RAILINGS, LLC.  
Among The Fastest Growing  
US Companies  
Eight Years in a Row  
**2012-2019**



Inc. Magazine 500 | 5000  
VIVA RAILINGS, LLC.  
Among The Fastest Growing  
Texas Companies  
**#211**



ICC-ES 4405 Certified  
**SHOE™**  
Structural Glass Railing System



LEED  
Material & Resources Credits 4.1 and 4.2



The American Institute of Architects



The California Contractors State License  
Board Certified