

VISTA - AVAILABLE INFILLS

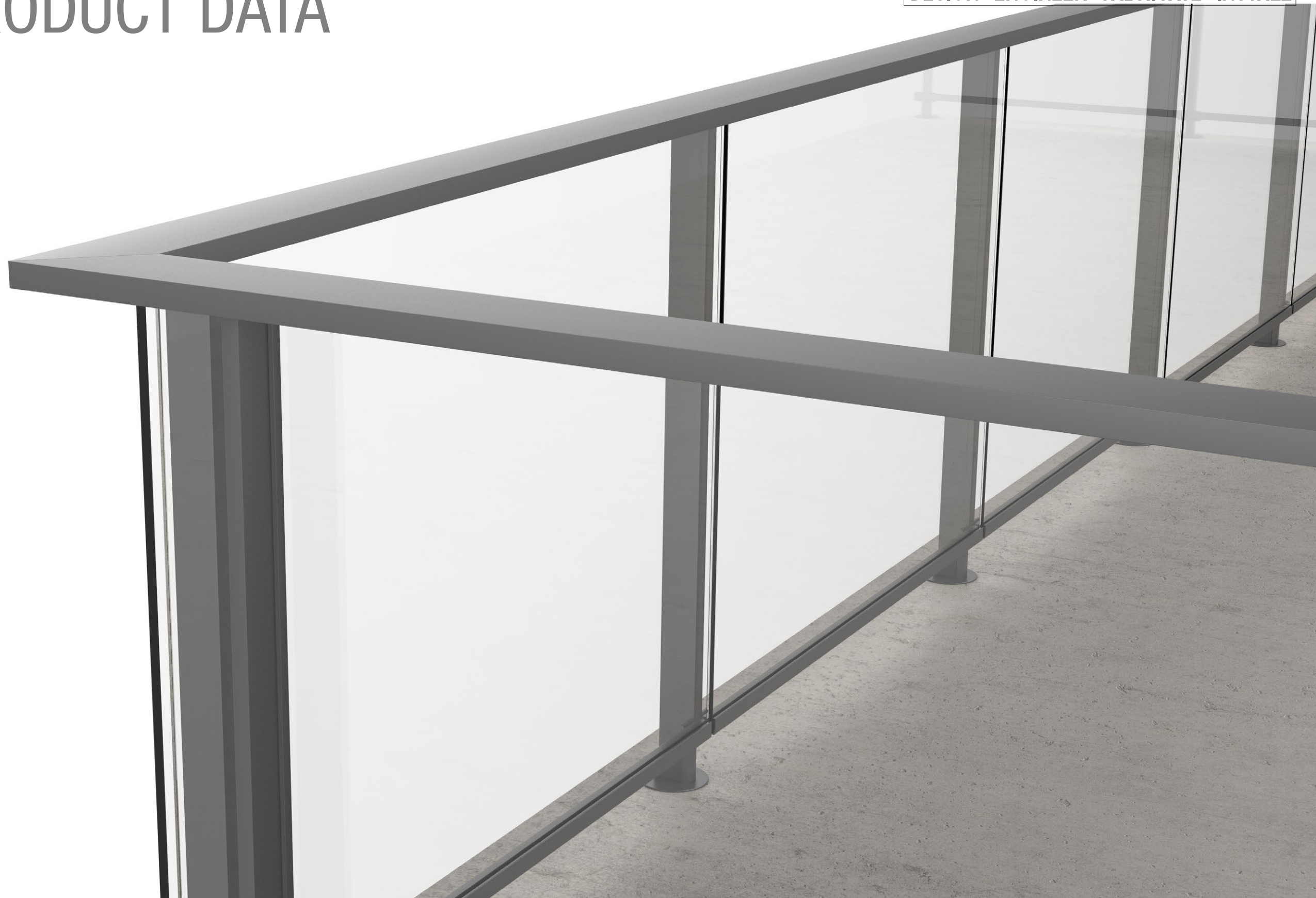
Glass

ECO VISTA™ GLASS RAILING SYSTEM

PRODUCT DATA



DESIGN + ENGINEER + FABRICATE + INSTALL

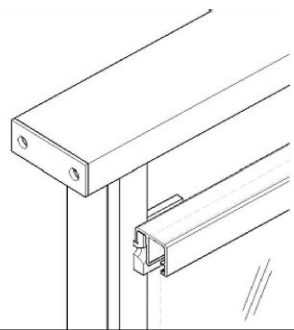


ECO VISTA™ GLASS RAILING SYSTEM

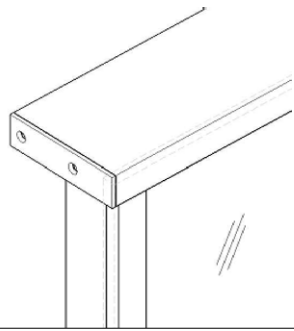
ECO VISTA - AVAILABLE INFILLS

Glass

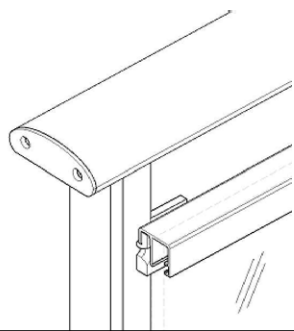
Our Eco Line Railing System is a fresh departure from the standard, bulky curtain wall aluminum railing systems currently on the market. The Eco line provides economically-conscious railing systems, while maintaining VIVA's commitment to making high quality products and innovating uber modern designs.



TR - 1



TR - 2



TR - 3

Other mounting options available.



ECO VISTA™ GLASS SYSTEM - TECHNICAL DATA

	MATERIAL	FINISH	SIZE/SPACING
BASE	Aluminum	Powder Coat - Super Polyester (AAMA 2604) - \$ ¹ Powder Coat - PVDF (AAMA 2605) - \$\$	2.5"x1.1" rectangular section for fascia mounted post, and T section for top or core mounted post, @ 4'-0" MAX. O.C.
INFILL OPTIONS	Glass	Clear, Tinted or Frit	3/8" laminated glass with PVB or SGP interlayer ² Interlayer standard thickness, SGP: 0.035" , 0.06" PVB: 0.035
TOP RAIL	Aluminum	Powder Coat - Super Polyester (AAMA 2604) - \$ Powder Coat - PVDF (AAMA 2605) - \$\$	Top rail options: -Rectangular 3.2"x1.1" (TR1) -Rectangular 4.3"x1.2" (TR2) -Oval 3.5"x1.9" (TR3)

FINISHING OPTIONS

POWDER COAT



Intertek

1. IBC 2015 & newer requires railing glass to be laminated. VIVA recommends SGP for exterior applications.

2. All LED LINEAR products are ETL certified; ETL mark is proof of product compliance to North American safety standard.

3. Other species available upon request.



ECO VISTA RAILING SYSTEM

GLASS INFILL

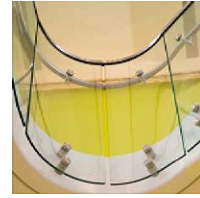
AVAILABLE GLASS TYPES



Clear Monolithic



Clear Laminated (PVB or SGP)



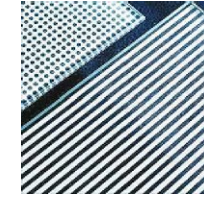
Bent



Tinted



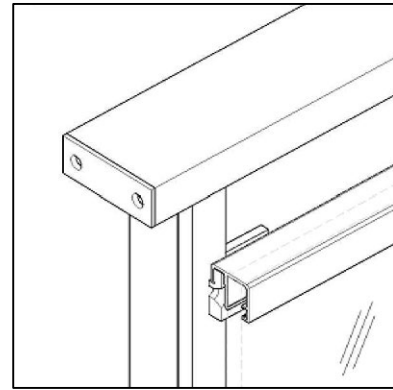
Satin Etched



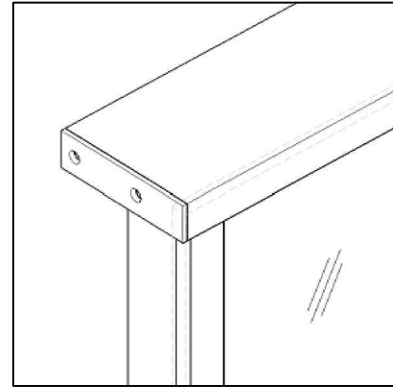
Ceramic Frit



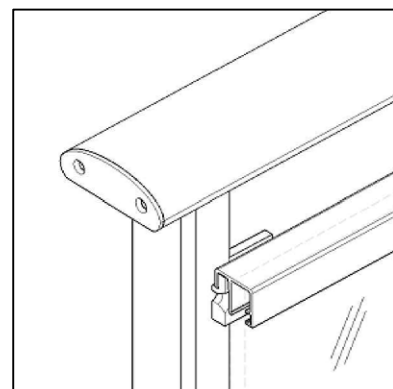
Colored Laminate (PVB only)



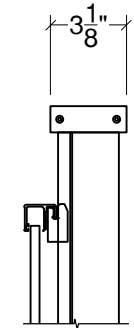
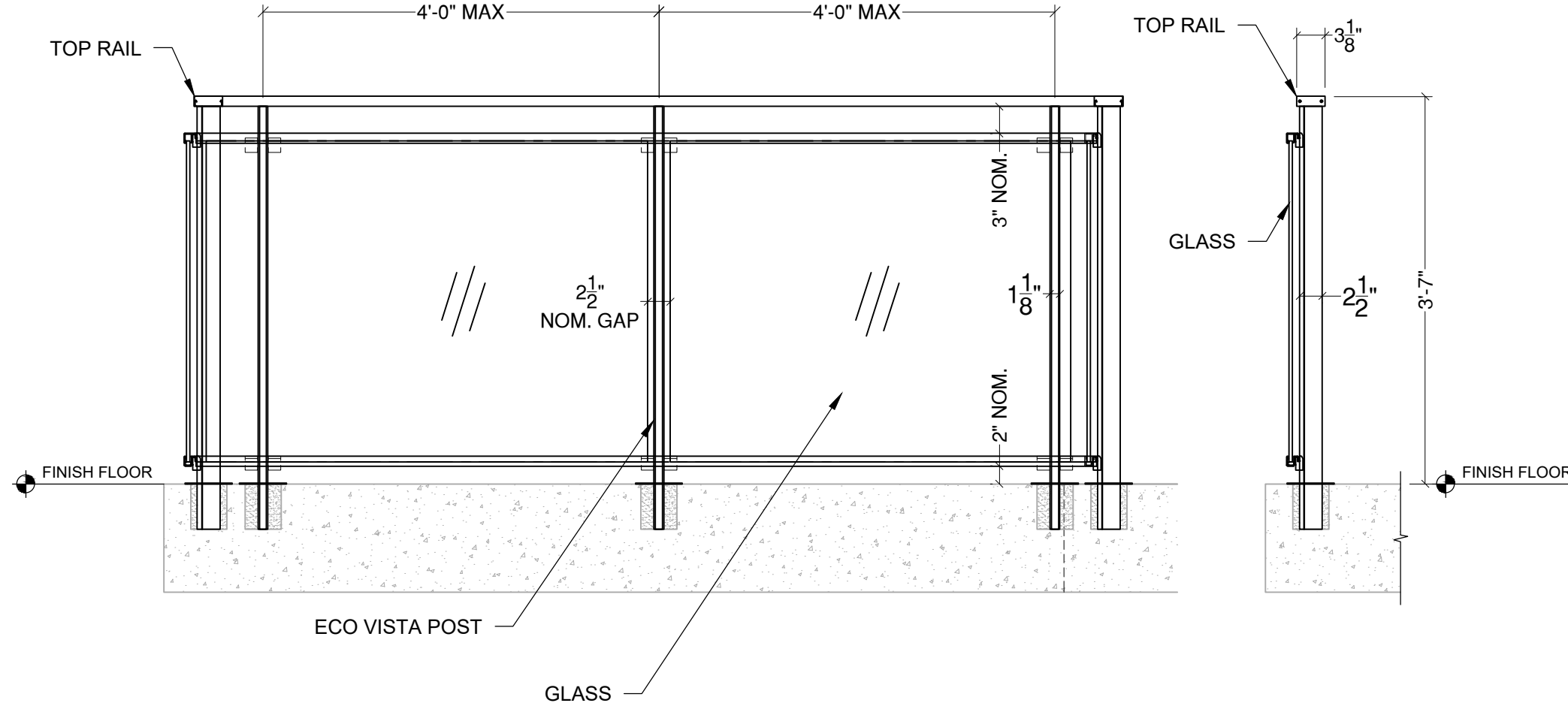
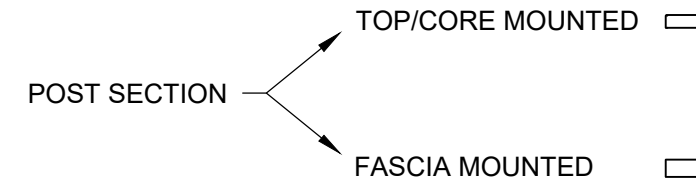
TR1



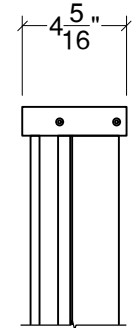
TR2



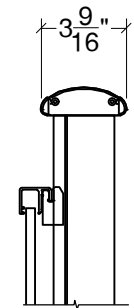
TR3



TR1



TR2



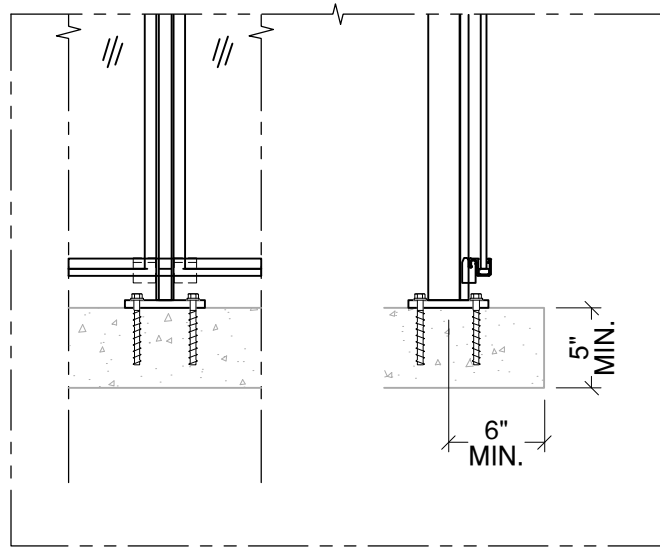
TR3

VIVA RAILINGS IS NOT RESPONSIBLE FOR THE STRUCTURAL INTEGRITY OF ANY BUILDING SYSTEMS OR OTHER MATERIALS NOT FURNISHED BY VIVA RAILINGS. VIVA RAILINGS HAS NO WAY OF KNOWING AND SPECIFICALLY DISCLAIMS WHETHER OR NOT THE BUILDING SYSTEMS TO WHICH VIVA RAILINGS' PRODUCTS ARE TO BE ATTACHED ARE STRUCTURALLY SOUND OR DESIGNED TO PROPERLY SUPPORT VIVA RAILINGS'S MATERIALS. ANY SUCH DESIGN RESPONSIBILITY BELONGS TO OTHERS FOR WHOM VIVA RAILINGS IS NOT RESPONSIBLE. THESE DRAWINGS ARE INTENDED FOR THE SOLE USE OF VIVA RAILINGS' CUSTOMER AND THEIR AGENTS FOR THE INSTALLATION OF PRODUCTS FURNISHED BY VIVA RAILINGS. VIVA RAILINGS REMAINS THE SOLE OWNER OF ALL DESIGNS AND INTELLECTUAL PROPERTY CONTAINED WITHIN. REPRODUCTION AND USE OF THESE DESIGNS FOR ANY OTHER PURPOSE IS FORBIDDEN. SCALES ARE PROVIDED FOR REFERENCE ONLY. FOR PRODUCT INFORMATION AND TECHNICAL SUPPORT, PLEASE CONTACT VIVA RAILINGS.



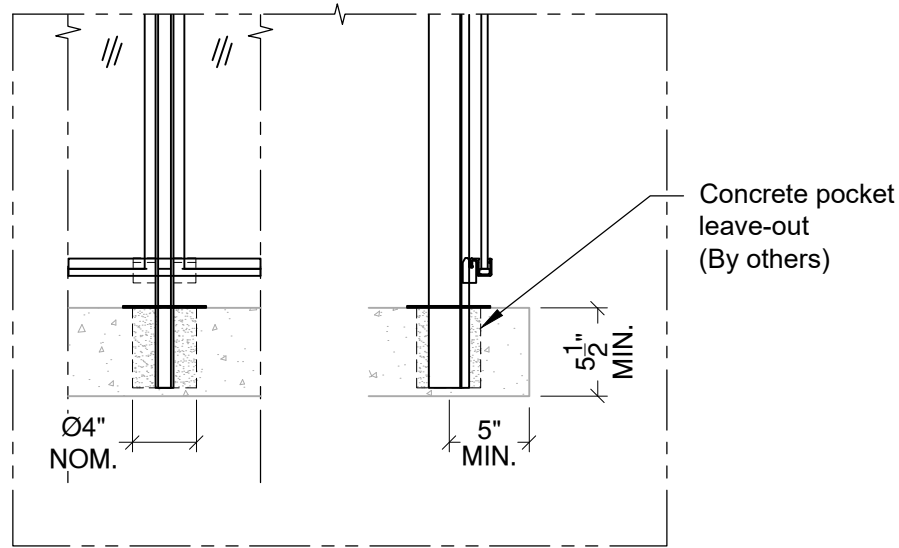
ECO VISTA RAILING SYSTEM

MOUNTING CONDITION, TOP MOUNTED POST



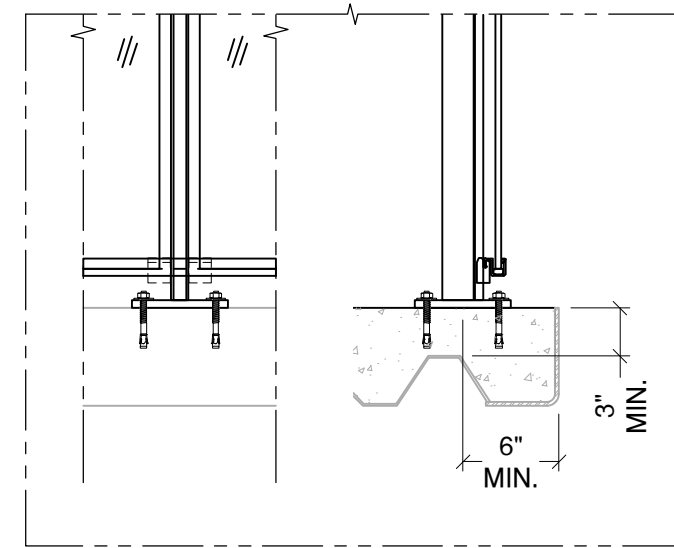
Anchored to Concrete ¹ - \$ ²

Detail# EV-T01



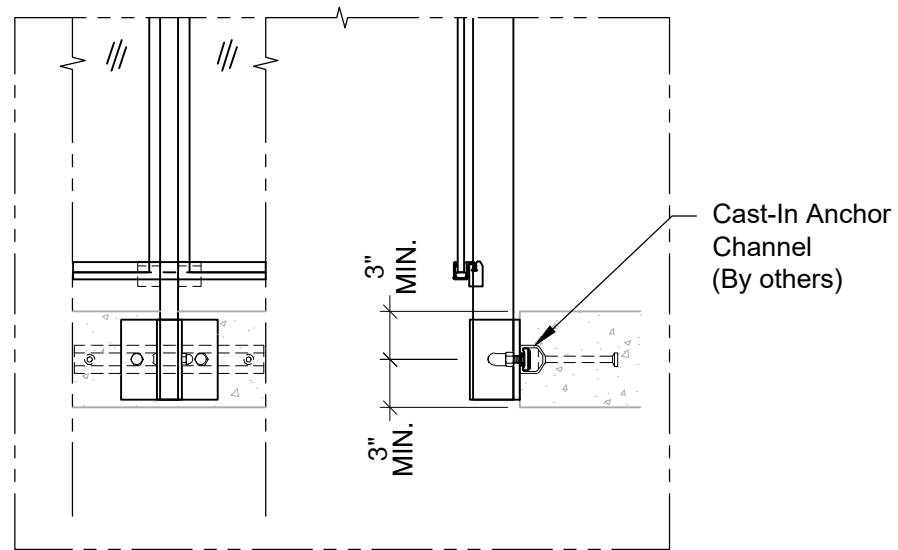
Grout set in leave-outs ³ - \$

Detail# EV-T02



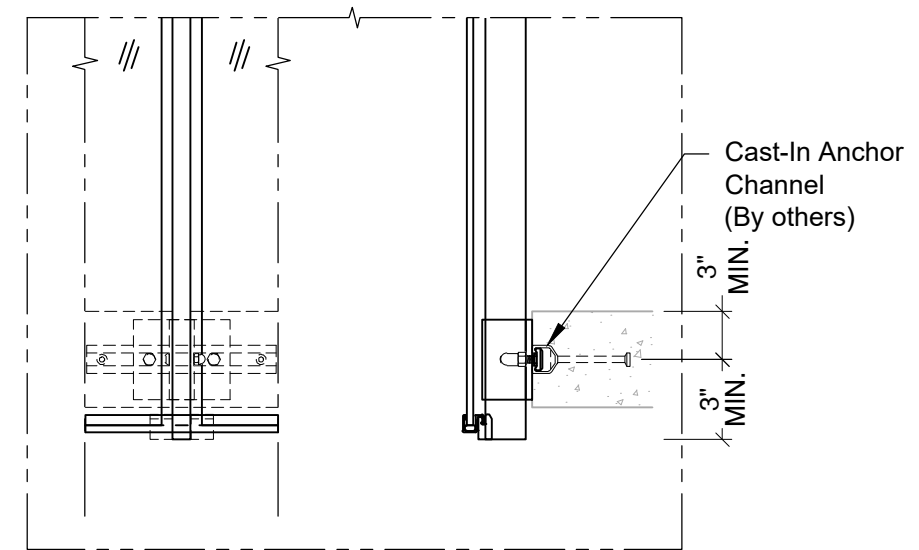
Anchored to Concrete Slab on Deck - \$\$\$

Detail# EV-T05



Anchored to Channel - \$\$\$

Detail# EV-F01



Fascia Glass Cover
Anchored to Channel - \$\$\$

Detail# EV-F02

(1) Min. 4000 PSI concrete, Typ.

(2) \$ to \$\$\$: Indicates mounting type comparative cost

(3) Recommended for high-rise

VIVA RAILINGS IS NOT RESPONSIBLE FOR THE STRUCTURAL INTEGRITY OF ANY BUILDING SYSTEMS OR OTHER MATERIALS NOT FURNISHED BY VIVA RAILINGS. VIVA RAILINGS HAS NO WAY OF KNOWING AND SPECIFICALLY DISCLAIMS WHETHER OR NOT THE BUILDING SYSTEMS TO WHICH VIVA RAILINGS' PRODUCTS ARE TO BE ATTACHED ARE STRUCTURALLY SOUND OR DESIGNED TO PROPERLY SUPPORT VIVA RAILINGS' MATERIALS. ANY SUCH DESIGN RESPONSIBILITY BELONGS TO OTHERS FOR WHOM VIVA RAILINGS IS NOT RESPONSIBLE. THESE DRAWINGS ARE INTENDED FOR THE SOLE USE OF VIVA RAILINGS' CUSTOMER AND THEIR AGENTS FOR THE INSTALLATION OF PRODUCTS FURNISHED BY VIVA RAILINGS. VIVA RAILINGS REMAINS THE SOLE OWNER OF ALL DESIGNS AND INTELLECTUAL PROPERTY CONTAINED WITHIN. REPRODUCTION AND USE OF THESE DESIGNS FOR ANY OTHER PURPOSE IS FORBIDDEN. SCALES ARE PROVIDED FOR REFERENCE ONLY. FOR PRODUCT INFORMATION AND TECHNICAL SUPPORT, PLEASE CONTACT VIVA RAILINGS.







NORTH AMERICA OPERATIONS



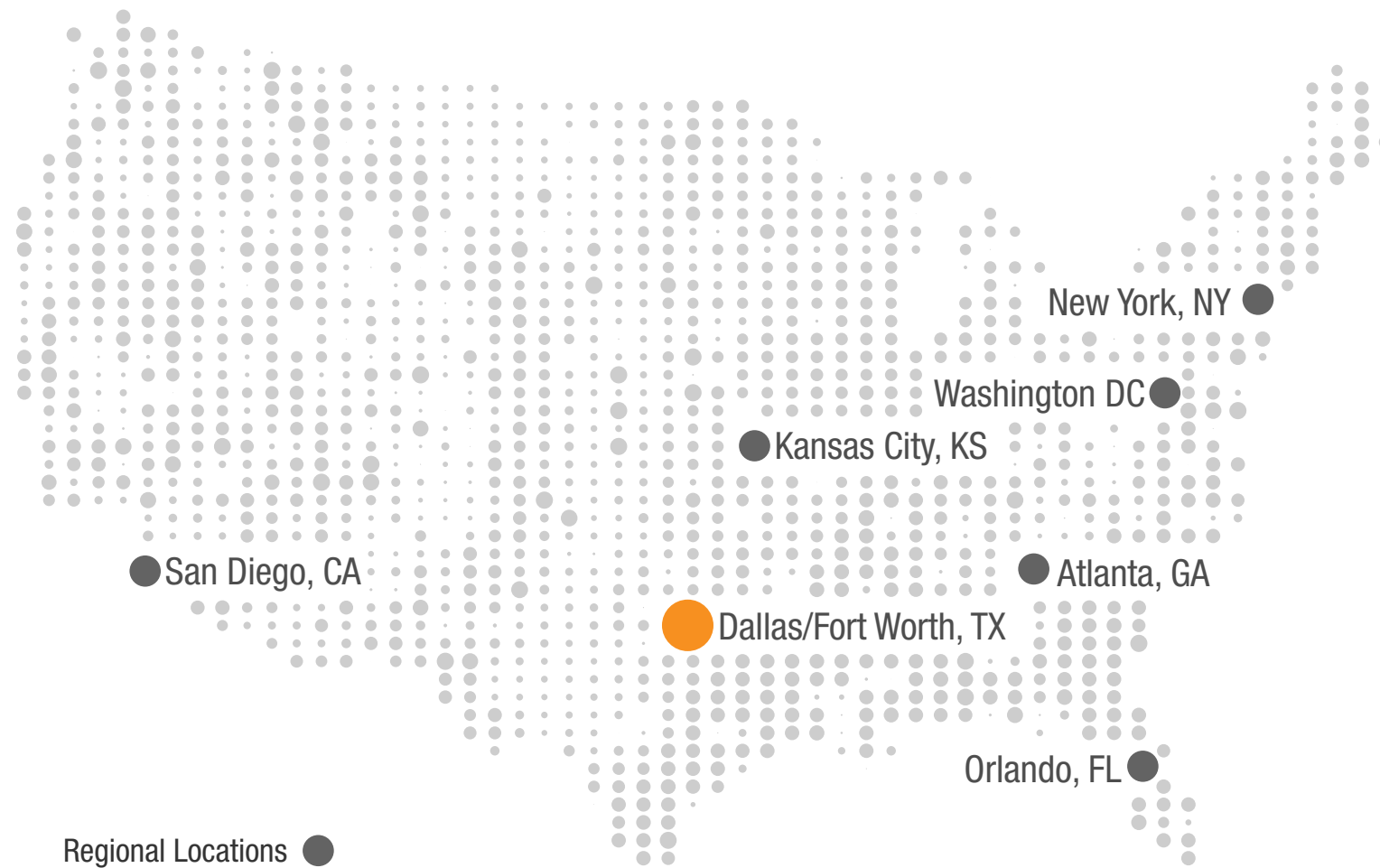
DESIGN + ENGINEER + FABRICATE + INSTALL

151 W. Vista Ridge Mall Dr. Lewisville, TX 75067

(Dallas/Fort Worth Metroplex)

PH: 972.353.8482 | info@vivarailings.com

vivarailings.com



Regional Locations ●



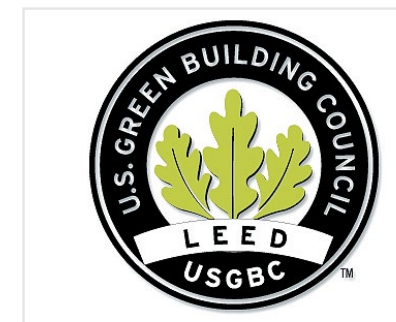
Inc. Magazine 500 | 5000
VIVA RAILINGS, LLC.
Among The Fastest Growing
US Companies
Eight Years in a Row
2012-2019



Inc. Magazine 500 | 5000
VIVA RAILINGS, LLC.
Among The Fastest Growing
Texas Companies
#211



ICC-ES 4405 Certified
SHOE™
Structural Glass Railing System



LEED
Material & Resources Credits 4.1 and 4.2



The American Institute of Architects



The California Contractors State License
Board Certified