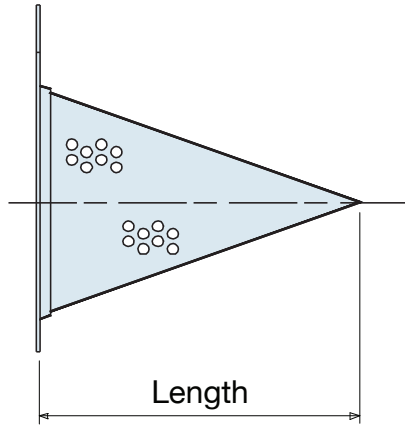
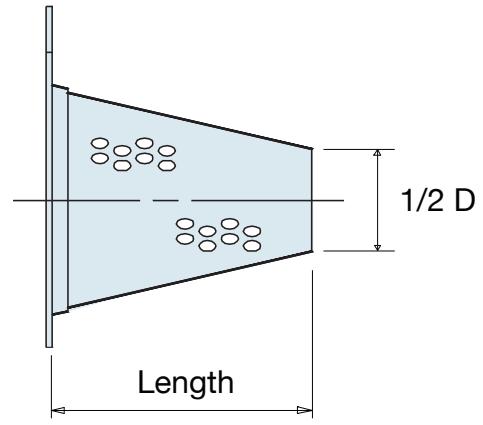


TEMPORARY STRAINERS



CONE TYPE, MODEL FCT



BASKET TYPE, MODEL FBT

D Line Size	CONE TYPE MODEL FCT				BASKET TYPE MODEL FBT			
	Length 100%	Length 150%	Length 200%	Length 300%	Length 100%	Length 150%	Length 200%	Length 300%
1	3	4	5	6	1-1/2	2	3	4
1-1/2	3-1/2	4-1/2	6	9	2	2-1/2	3-1/2	5
2	4	6	8	11	2-1/2	3	4	6
2-1/2	4	6	8	11	2-1/2	3	4-1/2	6
3	5	7	9	13	3	4-1/2	6	8
4	8	10	12	18	4	5	7	11
6	9	13	18	25	5-1/2	8	11	17
8	12	17	23	33	7	11	14	21
10	14	21	28	41	8	13	17	26
12	16	25	34	49	10	15	20	31
14	18	27	36	53	10	16	22	33
16	21	31	40	61	12	19	24	37
18	24	35	46	68	14	21	27	41
20	26	38	51	76	16	24	31	48
24	31	45	61	90	18	28	37	57
30	38	57	76	114	22	34	46	71
36	46	68	91	130	27	42	58	85

Options:

- * 1/8" Perforated Carbon Steel Plate
- * Continual resistance welded joint
- * Extra strong design
- * Flat plate designs
- * Stainless Steel, Alloy materials
- * Extended open area to pipe ratios
- * RTJ flanges
- * Mesh on inside or outside
- * Heavy Duty materials
- * Special gasket facings
- * Larger Perf or Mesh liners

Notes:

Open area percentage is the ratio of open area of screen over the cross sectional area of pipe. (Length is determined by this ratio.) Dimensions for guidance only, please request certified drawings. Larger sizes and pressure ratings available upon request. Special application requirements can be incorporated on request. Dimensions in inches.