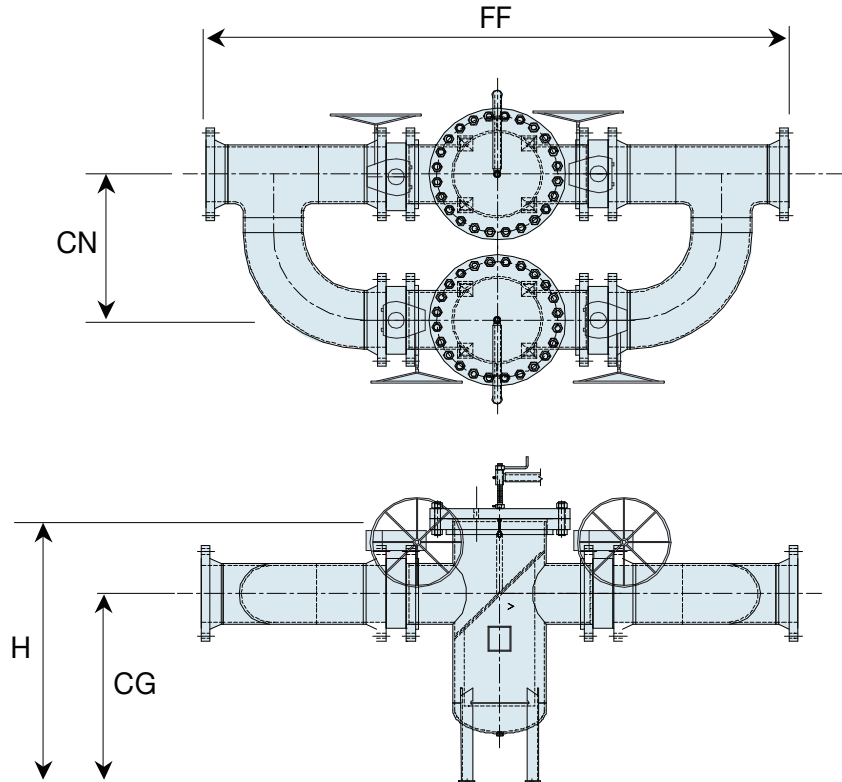


ANSI 150#RF DUPLEX BASKET STRAINER



Line Size	Body Dia	FF	CN	CG	H	Drain NPT	Cover Wt. lbs.	Assembly Weight
10	16	88	28	38	52	3/4	180	2310
12	18	100	30	40	56	3/4	220	3285
14	18	108	30	47	63	3/4	220	3860
16	24	118	36	50	68	1	430	5680
18	24	128	36	63	83	1	430	6320
20	30	144	40	67	91	1 1/2	320	9015
24	30	160	40	80	112	1 1/2	320	10840

Standard Features:

- * Bolted Blind Flange Covers
- * 1/8" Perforated Baskets
- * NPT Vents and Drains
- * NAF Cover Gaskets

Options:

- * Stainless Steel, Alloy materials
- * Hinged Cover
- * Cover Davit
- * ASME B31.3, B31.4, B31.8, ASME VIII Div 1
- * U-Stamp certification
- * Support Legs, skirt, baseplate

Notes:

Dimensions for guidance only, please request certified drawings. Larger sizes and pressure ratings available upon request. Special application requirements can be incorporated on request. Lower pressure drop designs available on request. Dimensions in inches.

- * DP gauge connections
- * DP gauge/switch (fitted)
- * Air release heads (fitted)
- * Additional ancillary connections
- * Heavy Duty Baskets & Wedge Wire
- * Blow-down baskets
- * Automated changeover valves
- * Cad. Plated Bolting
- * Spiral Wound gaskets
- * Weld neck flanges
- * Larger Perf or Mesh liners
- * Replaceable mesh liners
- * Flanged Vents and Drains